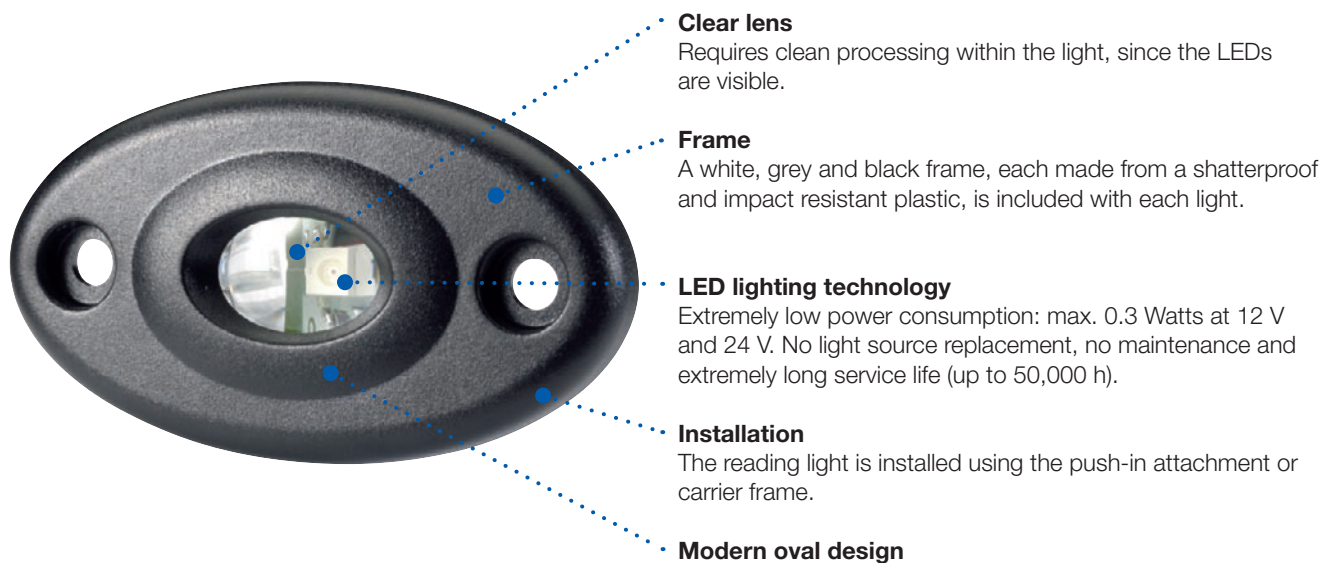




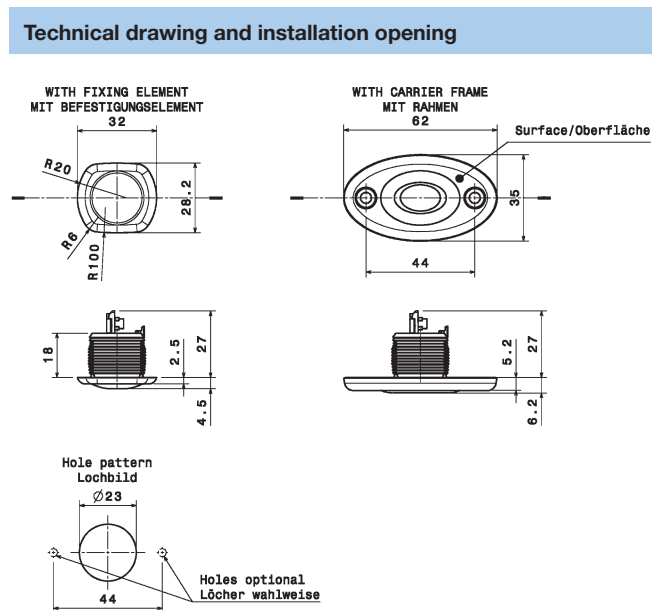
- *LED technology*
- *Installation with or without frame possible*
- *12 V and 24 V*

Product features



Technical details

Technical data	
Specification	Hella Norm N67001 Class 7
Operating voltage	12/24 V
Current consumption at 12 V	0.3 W/approx. 0.025 A
Current consumption at 24 V	0.6 W/approx. 0.025 A
Operating temperature	- 40 °C to + 60 °C
Protective rating	IP 20
Lens	clear
Housing	clear
Connection	through AMP plug housing
Installation	Flush fitting using the push-in attachment or, alternatively, with the carrier frame



Range overview

Product picture	Part number	Specification including scope of supply ¹	Voltage	Packaging unit
	2JA 344 170-001	Reading spotlight, LED colour red, narrow illumination	12 V	1 unit
	2JA 344 170-101	Reading spotlight, LED colour red, narrow illumination	24 V	1 unit
	2JA 344 170-011	Reading spotlight, LED colour blue, slim illumination	12 V	1 unit
	2JA 344 170-111	Reading spotlight, LED colour blue, slim illumination	24 V	1 unit
	2JA 344 170-021*	Reading spotlight, LED colour white, narrow illumination	12 V	1 unit
	2JA 344 170-121	Reading spotlight, LED colour white, narrow illumination	24 V	1 unit
	2JA 344 170-031	Reading spotlight, LED colour yellow, narrow illumination	12 V	1 unit
	2JA 344 170-131	Reading spotlight, LED colour yellow, narrow illumination	24 V	1 unit

* Variant with silver frame instead of grey frame: 2JA 344 170-201,
Variant with gold frame instead of grey frame: 2JA 344 170-211

¹ Scope of supply

- 3 frames (white, black and grey)
- 1 attachment element
- 1 AMP plug housing (4-pole)
- 4 AMP blade contacts 0.2 – 0.6 mm²
- Installation instructions