



## BRIEF INFORMATION

### LED licence plate light for attachment

- Multi-voltage design for flexible use in 12V and 24V systems
- High functional safety due to LED
- Highly efficient electronic set-up – minimum energy consumption
- ADR-certified for transport of dangerous goods

## PRODUCT FEATURES

#### **Sealed to withstand high-pressure cleaning**

The lamp is tested in accordance with HELLA Norm 67101 and meets the highest automotive requirements. It also meets IP 5K9K and is therefore protected.

#### **Failsafe, true to the 'Fit & Forget' principle**

The LED technology ensures outstanding reliability and vibration resistance. The lamp therefore has an exceptionally long working life.

#### **Low energy consumption**

The lamps combine efficient light-emitting diodes (LEDs) and precision lenses with Fresnel design to produce an optimum signal pattern with an exceptionally low power consumption.

#### **Varied plug options**

The licence plate light is available with all common plug connections and therefore allows for easy connection to the vehicle system.

#### **Functionality with all on-board power supply voltages**

The electronics have a multi-voltage set-up, so that even changing to a towing vehicle with a different on-board power supply voltage is no problem.

# LED LIGHTING TECHNOLOGY

**As a leading innovator in the field of automotive original equipment, HELLA sets standards:**

## **Extremely low energy consumption**

With the combination of efficient light-emitting diodes (LEDs) and precision lenses, HELLA lights achieve the statutory light distribution with 85% less power consumption compared to bulbs!

**No change of light source, no maintenance and an extremely long operating time thanks to optimal thermal management.**

To increase light service life, the components are arranged optimised for temperature. This prevents overheating of the LEDs at extremely high temperatures. This thermal management maximises the lifetime. The lifetime of the LEDs corresponds to that of the vehicle (depending on the operating temperature).

# THE VERY LATEST PRODUCTION TECHNOLOGY

## **Quality by conviction**

We work on our processes and technologies every day. This is effectively ensured by continuous further development of our manufacturing processes and production methods. Our HELLA standards reflect our underlying quality-oriented approach. This expectation is therefore reflected in every product.

## **Process reliability**

Integrated production guarantees outstanding quality in terms of air-tightness and fault rate. Our standards have been established across the entire production process. Our experience demonstrates: "only those who have their processes under control can guarantee high performance at all times".

# APPLICATION EXAMPLE

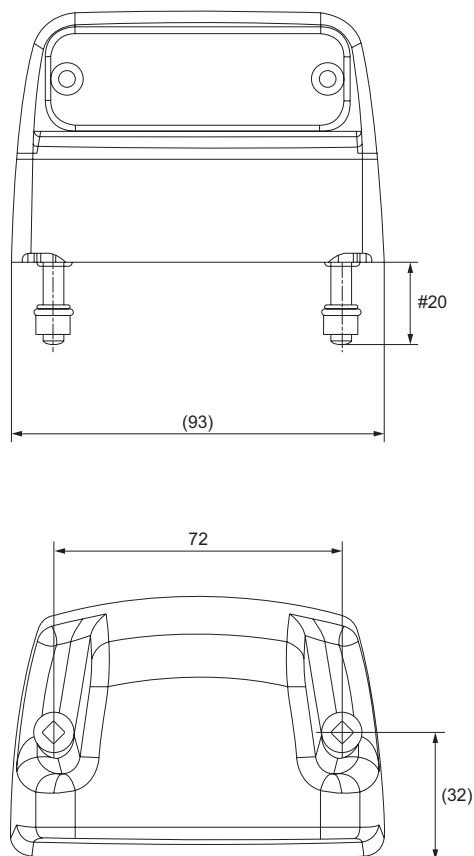


# TECHNICAL DETAILS

## Technical Data

Type approval	CE 0032
Operating voltage	Multi-voltage 9 V – 32 V
Current consumption	~ 0.02 A
EMC approval	CE 10R-04 047294
EMC class	3
Functions	LED licence plate light
Number of LEDs	2
Power consumption	12 V at 0.3 W 24 V at 0.5 W
Dimensions	67 x 93 x 63 (L x H x B)
Operating temperature	-40°C – +85°C
Protection class	IP 5K9K
Contacting	<ul style="list-style-type: none"> <li>• 6.3 mm female spade connectors with 2,000 mm cable</li> <li>• Quick-Link plug with 500 mm cable</li> <li>• EasyConn plug (straight) with 500 mm cable</li> <li>• AMP-SUPERSEAL plug (over-molded) with 1,300 mm cable</li> <li>• EasyConn plug (2-pin 90°) with 1,300 mm cable</li> <li>• AMP-SUPERSEAL plug (over-molded) with 2,000 mm cable</li> </ul>
Assembly	Fitting version, screw fixing
Specification	HN 67101 class 5.1
Lifetime	40,000 hours
Polarity	Polarity-independent mounting (+ and - interchangeable)

## Dimensional sketch



# RANGE OVERVIEW



Plug connection	Part number	Description
	<b>2KA 012 271-031</b>	6.3 mm female spade connectors with 2,000 mm cable
	<b>2KA 012 271-041</b>	Quick-Link plug with 500 mm cable
	<b>2KA 012 271-051</b>	EasyConn plug (straight) with 500 mm cable
	<b>2KA 012 271-061</b>	AMP-SUPERSEAL plug (over-molded) with 1,300 mm cable
	<b>2KA 012 271-071</b>	EasyConn plug (2-pin 90°) with 1,300 mm cable
	<b>2KA 012 271-081</b>	AMP-SUPERSEAL plug (over-molded) with 2,000 mm cable

## INSTRUCTIONS ATTACHED FOR FULFILLMENT OF ECE REGULATIONS

