



BRIEF INFORMATION

Power Beam 1800 compact

- Compact work light with powerful light output
- Thermo Pro plastic housing
- For universal use

PRODUCT FEATURES

The compact Power Beam 1800 is an ideal LED work light that combines a powerful light output with a practical design. The work light is designed so that it can be used anywhere thanks to its compact dimensions. The innovative thermally conductive plastic housing also features cooling fins which ensure the required heat dissipation from the high-power LEDs. Along with weight reduction, the new material also offers the advantage of complete corrosion resistance.

The light output from the six high-power LEDs is an impressive 1,850 lumens. The light is distributed by a specially developed multi-faceted reflector, thus ensuring homogenous illumination. Models with varying cover lenses lend themselves either for close-range or long-range illumination, as required. Energy consumption is just 26 watts of power. Because of such low energy consumption, the Power Beam 1800 is ideal for use in vehicles powered by batteries and in those where there are already significant demands on the alternator. The multivolt electronics of this headlamp are designed for vehicles with vehicle electric system voltage of 12 and 24 volt.

With a colour temperature of 6,500° kelvin, the light from the LED work light is very similar to daylight. This helps to distinguish colours more easily in the dark, and makes sensory perception through the human eyes much easier. In turn, this prevents the eyes from tiring quickly during work at night.

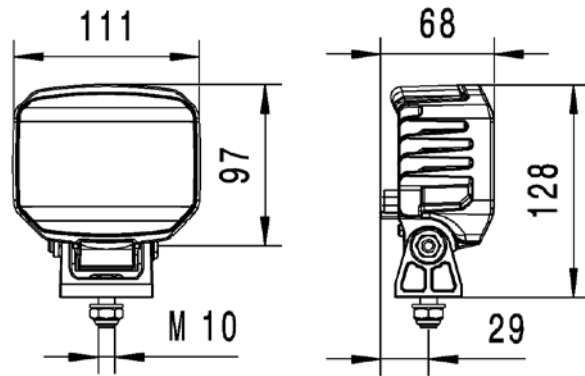
The integrated electronics protect the device in the event of polarity inversion and guarantee constant brightness, even when operating voltage fluctuates between 10,5 and 32 volts. Temperature sensors additionally protect the work light from overheating. Only in this way can the long service life of the LEDs and a safe working environment at night be guaranteed.

TECHNICAL DETAILS

Technical Data

| | |
|---------------------------------|--------------------------------|
| Operating Voltage/Rated Voltage | 10,5 – 32 V |
| Power Consumption | 26 W |
| Light Output | 1,850 lumens |
| Light Source Type | 6 high-power LEDs |
| Colour Temperature | 6,500 °kelvin |
| Housing | Thermally conductive plastic |
| Mounting | Upright and pendant |
| Connection | DEUTSCH connector |
| Protection | Overheating, reversal polarity |
| Protection Class | IP 6K9K, IP 6K8 |
| Type Approval | Ⓜ, ECE-R10, RCM, ADR/ GGVSEB |
| Weight | 450 g |
| Manufactured in | Austria |

Dimensional Sketch

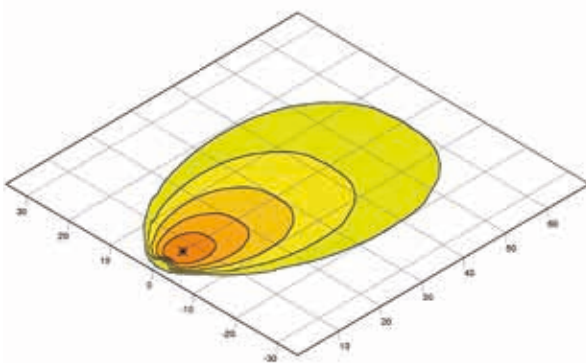


RANGE OVERVIEW

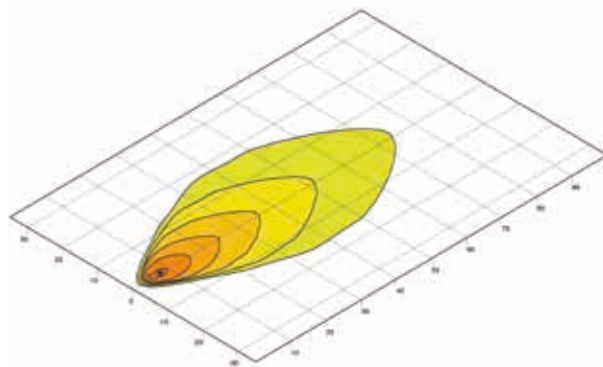
1GA 996 488-...

| | -001 | -011 |
|---------------------------------|--|-------|
| Close-range illumination | X | - |
| Long-range illumination | - | X |
| Mounting | Glass-fibre reinforced plastic bracket | |
| Swivelling base / bracket width | 42 mm | 42 mm |

LIGHT DISTRIBUTION



Close-range illumination



Long-range illumination

lux >= 0 1 2 4 8 16