



BRIEF INFORMATION

Multifunctional lamp with filament bulb and LED hybrid technology 2.. 011 511-...

- In 24 V applications
- For heavy-duty trucks
- Retrofitting of permanent lighting functions to LED

PRODUCT FEATURES

Conversion to LED:

- All functions are equipped with built-in 24 V filament bulbs as a factory default. The permanent lighting functions, tail lamp, license plate lamp, clearance/side marker lamp are also available in LED
- Easy conversion to LED is possible

Versions:

- Available with backup alarm
- Optionally with 152 mm or 160 mm spacing of fastening screws
- Plug HDSCS 8-pin or DIN 7-pin
- Plug position is at side by default, can be located on rear on request
- Available with license plate lamp, illumination for license plates 520 x 120 mm

Details / benefits:

- Economically attractive use of LED technology for permanent lighting functions
- Lens for filament bulb and hybrid versions, left and right identical
- Curved outer lens shape for optimum tightness
- Generously dimensions illuminated area for clearance lamp
- Homogeneous appearance due to horizontal reflex reflector and clearly structured lighting functions

Contributes to environmental protection, resource preservation and sustainability:

- LED indirectly reduces CO₂ emission
- If a replacement is required due to a failure or conversion to LED, parts can be easily replaced and individually recycled

TECHNICAL DETAILS

Technical specifications

Type approval

ECE

Filament bulb = E1 3443 / Hybrid = E1 available as of end of September

GGVS (Carriage of Dangerous Goods by Road - Germany)/ ADR

Functions filament bulb

Tail lamp	12 V / 24 V / 10 W filament bulb
Stop lamp	12 V / 24 V / 21 W filament bulb
Direction indicator	12 V / 24 V / PY21 W filament bulb
Rear fog light	12 V / 24 V / 21 W filament bulb
Back-up light	12 V / 24 V / 21 W filament bulb
Side marker/clearance light	12 V / 24 V / 10 W filament bulb
License plate lamp	12 V / 24 V / 10 W filament bulb

Functions LED*

Tail lamp	24 V / 3 red LEDs 0.6 W / 0.02 Ampere
Side marker/clearance light	24 V / 3 red LEDs 1.7 W / 0.06 Ampere
License plate lamp	24 V / 3 white LEDs 1.7 W / 0.06 Ampere

Dimensions (L x W x H)

400 mm x 160 mm x 88 mm

Specification

HELLA Standard 67101 Class 6.1 Truck

Operating temperature

up to approx. +60 °C

IP protection class

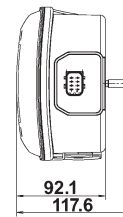
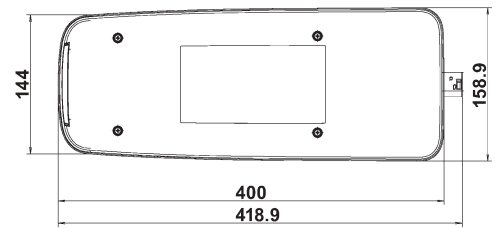
Lamp: IP 5K4K LED modules: IP 6K9K

Fixing

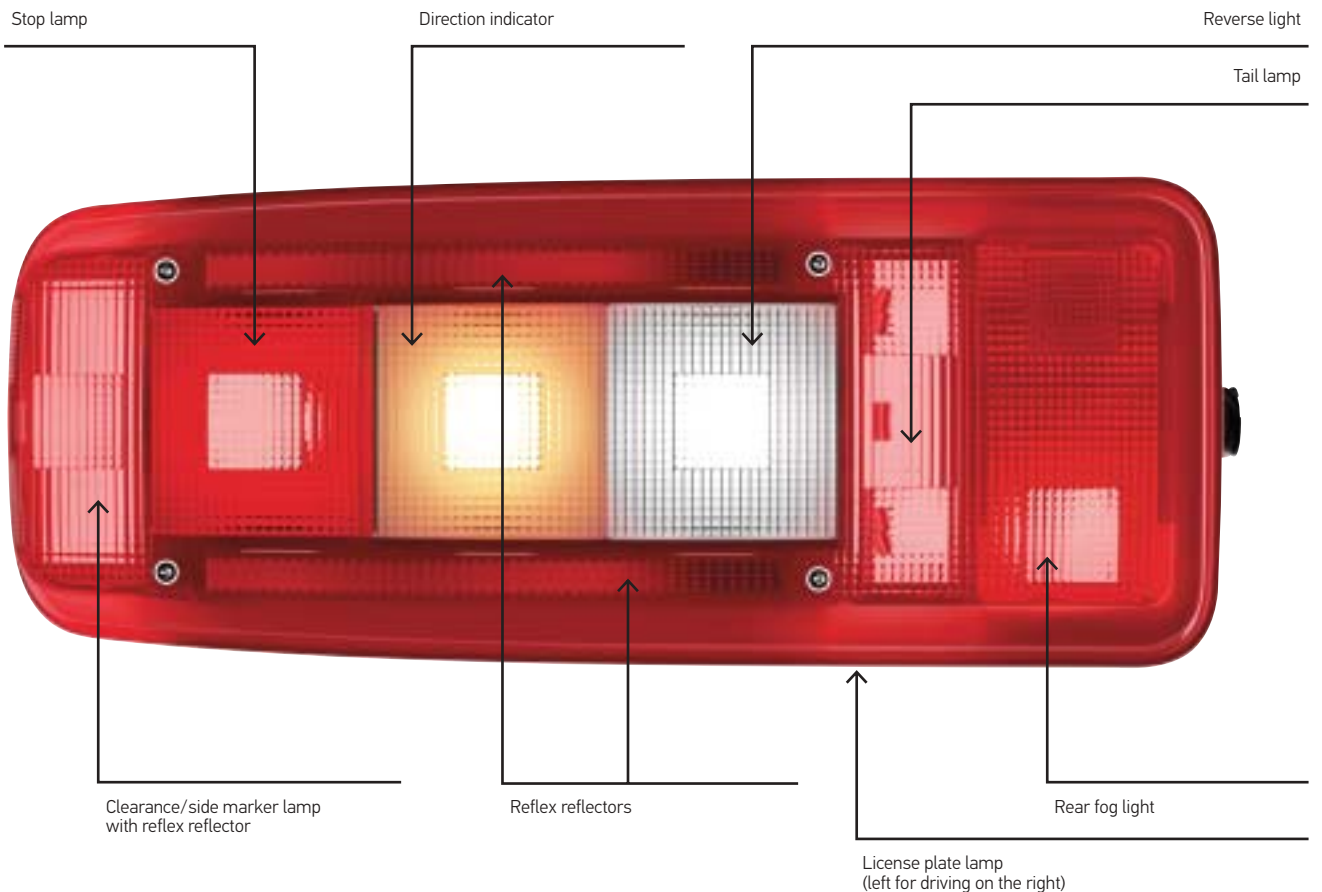
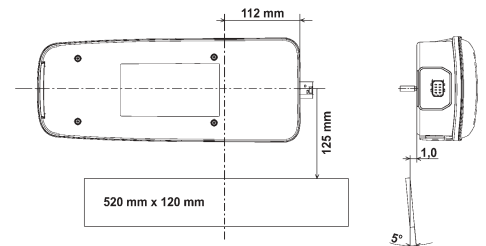
Stud M 8 x 48.5 mm fixed in housing

* not available in 12 V

Technical drawing

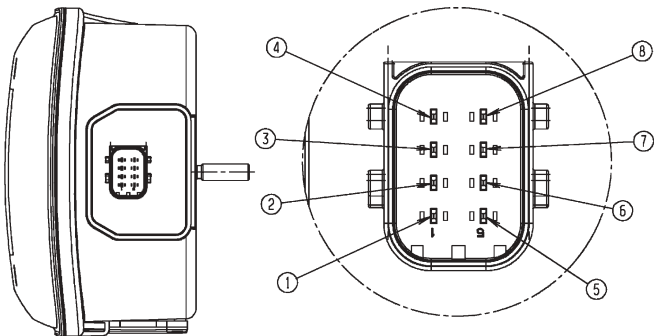


Installation above the license plate 520 x 120 mm



HDSCS plug 8-pin

Mating plug: AMP 1-1418479-1 / 8 x blade terminal sleeve 1241380-1

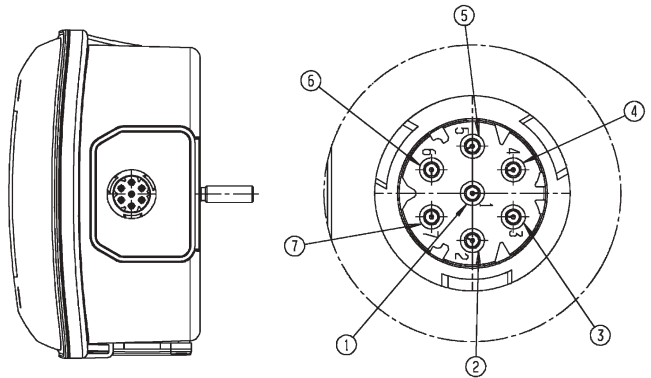


Pin assignment

1	Ground
2	Free
3	Free
4	Rear fog light
5	Tail lamp
6	Reverse light
7	Direction indicator
8	Stop lamp

DIN plug 7-pin

Mating plug: AMP 967650-1 / 7 x blade terminal sleeve 929686-1



Pin assignment

1	Ground
2	Tail lamp
3	Reverse light
4	Direction indicator
5	Stop lamp
6	Rear fog light
7	Free

APPLICATION EXAMPLE



RANGE OVERVIEW

(available as of 1st quarter 2013)

	Article number 2VD 011 511-													
	031 037	041 047	081 087	211*	221*	231 237	241 247	281 287	337	347	437	447	611*	621*
suitable for 12 V/24 V without bulb	-	-	-	-	-	-	-	-	-	-	-	-	X	X
24 V filament bulb	X	X	X	-	-	-	-	-	X	X	-	-	-	-
ML Hybrid	-	-	-	X	X	X	X	X	-	-	X	X	-	-
Left	X	-	-	X	-	X	-	-	X	-	X	-	X	-
Right	-	X	X	-	X	-	X	X	-	X	-	X	-	X
152 mm screw spacing	X	X	X	X	X	X	X	X	-	-	-	-	X	X
160 mm screw spacing	-	-	-	-	-	-	-	-	X	X	X	X	-	-
HDSCS plug side	X	X	X	-	-	X	X	X	X	X	X	X	-	-
DIN plug side	-	-	-	X	X	-	-	-	-	-	-	-	X	X
Backup alarm	-	-	X	-	-	-	-	X	-	-	-	-	-	-
Tail lamp	Filament bulb	Filament bulb	Filament bulb	Filament bulb	Filament bulb	LED	LED	LED	Filament bulb	Filament bulb	LED	LED	X	X
Reflex reflectors	X	X	X	X	X	X	X	X	X	X	X	X	X	X
Stop lamp	Filament bulb	Filament bulb	Filament bulb	Filament bulb	Filament bulb	Filament bulb	Filament bulb	Filament bulb	Filament bulb	Filament bulb	Filament bulb	Filament bulb	X	X
Direction indicator	Filament bulb	Filament bulb	Filament bulb	Filament bulb	Filament bulb	Filament bulb	Filament bulb	Filament bulb	Filament bulb	Filament bulb	Filament bulb	Filament bulb	X	X
Back-up light	Filament bulb	Filament bulb	Filament bulb	Filament bulb	Filament bulb	Filament bulb	Filament bulb	Filament bulb	Filament bulb	Filament bulb	Filament bulb	Filament bulb	X	X
Rear fog light	Filament bulb	Filament bulb	Filament bulb	Filament bulb	Filament bulb	Filament bulb	Filament bulb	Filament bulb	Filament bulb	Filament bulb	Filament bulb	Filament bulb	X	X
Clearance/side marker lamp with reflex reflector	Filament bulb	Filament bulb	Filament bulb	LED	-	LED	LED	LED	Filament bulb	Filament bulb	LED	LED	X	X

	Article number 2VP 011 511-													
	031 037	041 047	081 087	211*	221*	231 237	241 247	281 287	337	347	437	447	611*	621*

License plate lamp	Filament bulb	-	-	LED	-	LED	-	-	Filament bulb	-	LED	-	X	-
--------------------	---------------	---	---	-----	---	-----	---	---	---------------	---	-----	---	---	---

Packaging unit:
-..1 = 1 units / -..7 = 8 units

Spare parts	
9EL 194 229-001	Lens with 4 screws usable for right and left side and for filament bulb and hybrid versions.
9DW 194 222-801	To convert a vehicle with a filament bulb version to a hybrid version, please use the following LED set: LED set with functions (2 x tail lamp, 2 x clearance/side marker lamp, 1 x license plate lamp, 10 x PT screw (4 x 16), 1 x installation instructions)

The individual LED groups for the functions tail lamp/license plate lamp and clearance/side marker lamp will be added to the range at a later date as needed.

* Versions on request