



BRIEF INFORMATION

KL 7000 LED Beacon

- Rotating LED light function
- Flat and compact design
- Simple conversion of existing versions
- Low current consumption, high efficiency

PRODUCT FEATURES

Long service life

The latest LED technology provides an optimum signal image with low power consumption.

Rotating light function

The innovative electronics concept makes a rotary function possible without moving parts.

Installation

Three different attachment variants compliant with DIN 14620 guarantee surface-mounted solutions for every application. The fixed installation versions can be attached from above and from below.

Cost saving

Since LEDs are maintenance-free, they do not have any additional costs for spare parts or maintenance. Downtimes are reduced to a minimum.

Compact design

The combination of thermal management and optics in one module makes a remarkably compact design possible.

Upgrade to LED

Existing halogen versions can be upgraded to LED without additional installation costs.

Low design height

Even trucks with bunks stay below the maximum permissible vehicle height on public roads of 4m.

Thermal management

LEDs are heat-sensitive. If the temperature of the LED gets too high, the diodes can lose their luminous intensity and, in extreme cases, may even be destroyed. HELLA achieves an effective heat flow by choosing thermally conductive materials and by aligning components effectively. Thermal management dissipates heat away from the LEDs.

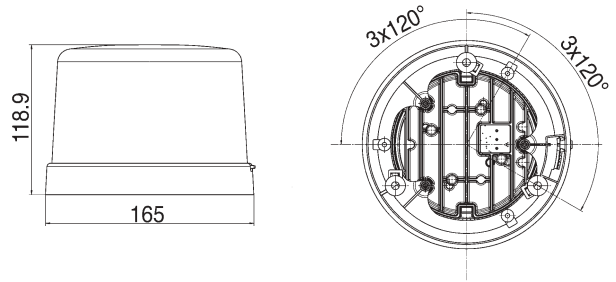
Impact-resistant, smooth dome

The impact- and dirt-resistant smooth dome guarantees optimum warning effect.

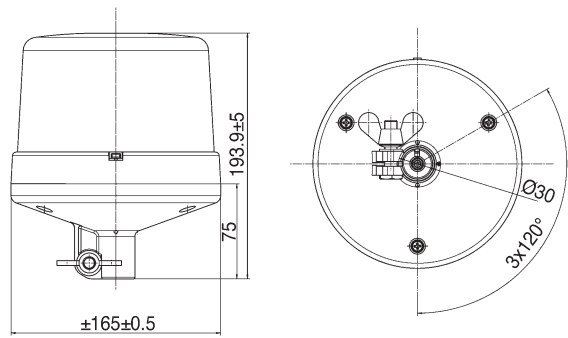
TECHNICAL DETAILS

Technical specifications								
Nominal voltage (U_N)	12 V	24 V						
Operating voltage (U_B)	10 – 32 V							
Total current consumption	0.8 A	0.4 A						
Power consumption	10 W							
Dome	PMMA							
Position of use	Upright							
Protection class	IP 5KX, IP X4K and IP X9K							
Type approval								
Interference suppression (CISPR25)	Power-controlled Class 5							
Approval	GGVSE / ADR							
EMC protection	036194							
Technical light homologation	ECE-R10 036194							
	TA1	<table border="1"> <tr> <td>E1</td> <td>65</td> <td>00 3397</td> </tr> <tr> <td></td> <td>10</td> <td>03 6194</td> </tr> </table>	E1	65	00 3397		10	03 6194
E1	65	00 3397						
	10	03 6194						

Technical drawing



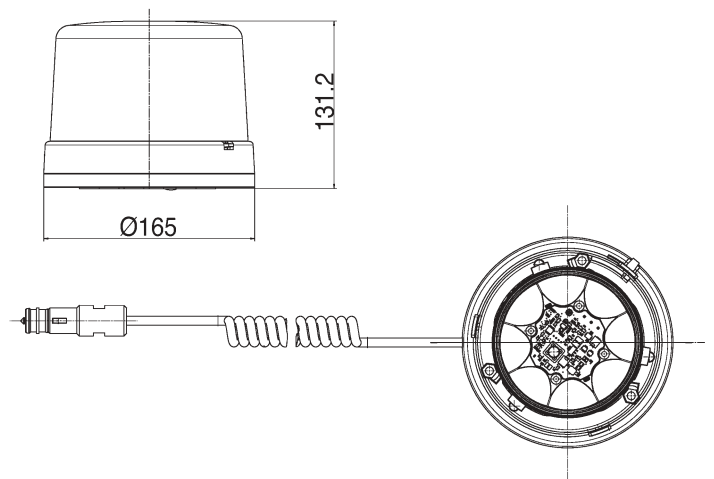
KL7000 LED F



KL7000 LED R

PROGRAM OVERVIEW

Product image	Description	Part number	VPE
	KL7000 LED F	2RL 011 484-001	1
	KL7000 LED R	2RL 011 484-011	1
	KL7000 LED M	2RL 011 484-021	1



KL7000 LED M