

Interior lights

- *Bulb technology*
- *available with or without switch*
- *12 V*

Product features



Clear lens

Requires clean processing within the light. The prisms on the lens raise the design and make the light's appearance even more attractive.

Modern oval design

Light and switch are integrated in the modern, oval housing shape.

Housing

Made from particularly shatterproof and impact resistant black plastic (POM).

Reading spotlight

Reading spotlight that can be switched on/off separately and adjusted.

Installation

The reading light is clicked into place. The reading spotlight and switch are wired completely with standard AMP-Multilock pin housing and blade terminals (cable length approx. 140 mm).

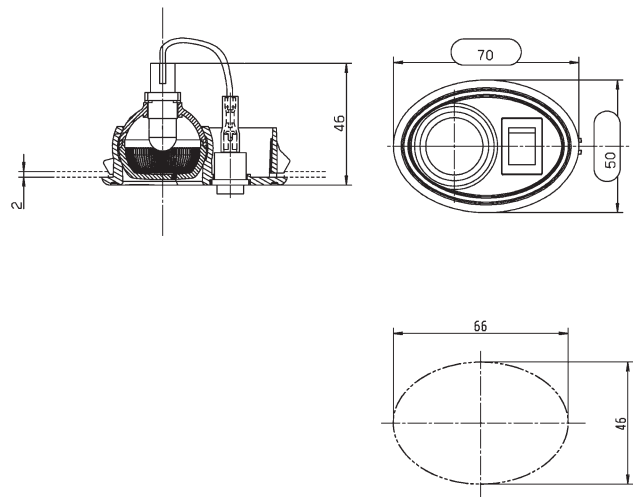


Technical details



Technical data	
Operating voltage	12 V
Current consumption at 12 V	5 W/approx. 0.42 A
Cable length	140 mm (without switch: 120 mm)
Operating temperature	-40 °C to + 60 °C
Lens	clear
Housing	black*
Connection	through AMP-Multilock plug
Installation	Click-in attachment

* Variant with grey housing and switch on request

Technical drawing and installation opening



Range overview

Product picture	Part number	Specification	Packaging unit
	2AB 004 074-087	Reading spotlight, 12 V, with switch and AMP blade terminal and pin housing completely wired. For flush-fitting.	90 units
	2AB 004 074-027	Reading spotlight 12 V, without switch. For flush-fitting.	90 units