



BRIEF INFORMATION

Ultra Beam LED

- The classic worklight with LED technology
- Powerful light output
- For versatile use

PRODUCT FEATURES

The world's most-sold worklight series, Ultra Beam, has now been expanded to include an LED version. The Ultra Beam LED offers high light output in a practical design, meaning that it can be used anywhere thanks to its compact dimensions.

The light output is a powerful 2,200 lumens. The light is distributed by a specially developed multi-faceted reflector, thus ensuring homogeneous illumination. Thanks to different lenses, this worklight can be used for close as well as long-range illumination. Thanks to its powerful light output, the Ultra Beam LED can replace xenon worklights – despite only having a power consumption of 30 Watts.

This makes this worklight ideal for use on battery-operated vehicles or on vehicles where the alternator is already under a heavy load. The integrated electronics protect the device in the event of polarity inversion and guarantee constant brightness, even when operating with voltage fluctuations between 9 and 33 Volts. This ensures that the worklight stays functional and guarantees safe working at night.

With its color temperature of 5,700 Kelvin, the light from the LED worklight is very similar to daylight. This helps to distinguish colors more easily in the dark, and thus facilitate the human eye's sensory perception task. This in turn facilitates work at night and prevents the eyes tiring quickly.

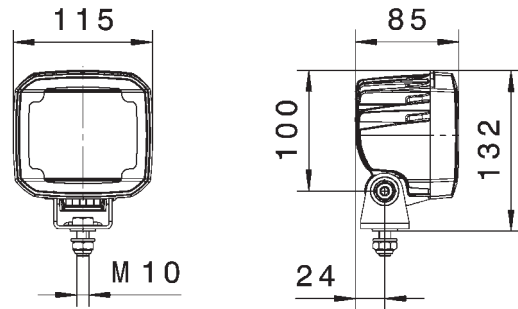
The worklight's black housing is made of aluminum and incorporates cooling fins. These ensure sufficient heat dissipation from the 9 high-power LEDs. Additionally, a temperature sensor protects the worklight from overheating. This is the only way the long service life of the LEDs (up to 30 times longer than a xenon gas-discharge lamp) can be exploited.

TECHNICAL DETAILS

Technical Data

Operating voltage/ Rated voltage	9 – 33 V
Recommended angle of inclination	Close-range: 12°, long: 5°
Light source type	9 high-power LEDs
Power consumption	30 W
Light output	2.200 lm
Color temperature	5.700° Kelvin
Protection class	IP 6K9K and IP 6K8
Type approval	ECE R10
Housing	Aluminum die cast
Light exit element	105 x 95 mm

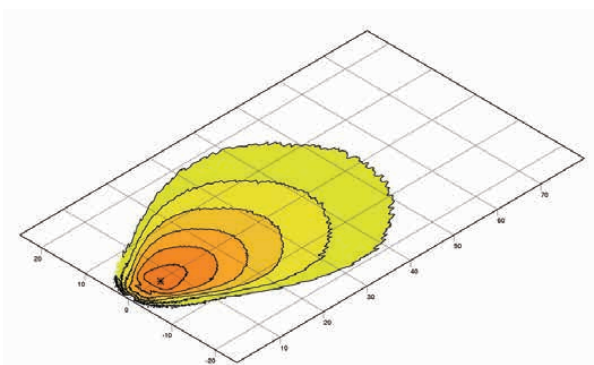
Dimensional sketch



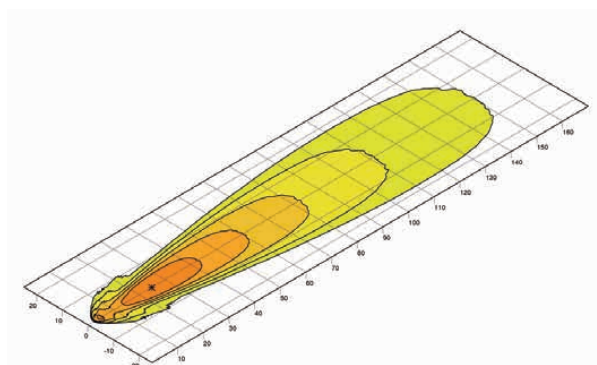
RANGE OVERVIEW

1GA 995 506-...	-001	-011	-031
Close-range illumination	X	X	-
Long-range illumination	-	-	X
Upright mounting	X	-	X
Suspended mounting	-	X	X
Swivel base	X	X	X
DEUTSCH plug	X	X	X
Nylon lens	X	X	X
Protected against overheating	X	X	X
Reverse-polarity protected	X	X	X

LIGHT DISTRIBUTION



Close-range illumination



Long-range illumination

lux \geq 0 1 2 4 8 16 32