



## BRIEF INFORMATION

### AP 1200 LED

- LED worklights
- Functional design
- Good value for money

### PRODUCT FEATURES

The AP 1200 LED is a robust worklight in a universal, attractive design. The black aluminium housing features cooling fins which ensure the required heat dissipation from the high-power LEDs. With its flat design, there was no need for a reflector: instead, double-sided optics are inserted in the plastic lens. These special optics concentrate the light on the inside and distribute it extensively and homogeneously to the entire range of operation.

Four high-power LEDs are installed in the AP 1200, producing a light output of 1,200 lumen. Energy consumption is just 22 watts. To achieve the same output with a 12 V halogen light, 55 watts (e.g. an H3 bulb) would be required. The vehicle's reduced energy consumption saves energy costs and is also good for the environment.

With its colour temperature of 5,700 Kelvin, the light from the LED worklight is very similar to daylight. This helps to distinguish colours more easily in the dark, and thus facilitate the human eye's sensory perception task. In turn, this prevents the eyes tiring quickly during work at night.

The worklight can be operated with both 12 V and 24 V systems. The integral electronics protect the device in the event of polarity reversal, and guarantee constant brightness even if the operating voltage fluctuates within the range of 9 to 33 volts.

With the AP 1200 LED, HELLA focused on cost-oriented development and a reduced specification. This enabled the production of a worklight offering excellent value for money. Nevertheless, the AP 1200 LED still fulfils the criteria for a premium worklight and can withstand the demands of tough everyday work.

# TECHNICAL DETAILS



Impact resistance



Leak tightness



Electromagnetic compatibility



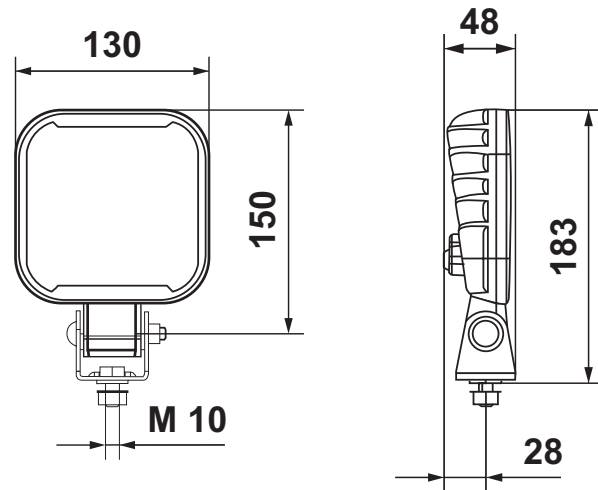
Salt spray resistance



## Technical specifications

Operating voltage / Rated voltage	9 – 33 V
Recommended inclination	12°
Light source type	4 high-power LEDs
Power consumption	22 W
Light performance	1,200 lm
Colour temperature	5,700 Kelvin
Protection class	IP 6K9K, IP 67
Type test	E1, ECE-R10
Housing	Aluminium die cast
Light aperture	115 x 115 mm

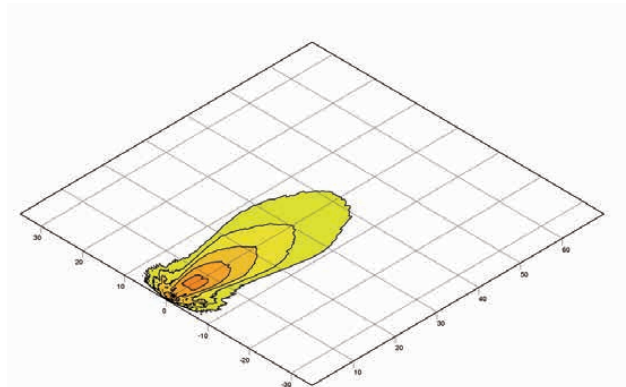
## Technical drawing



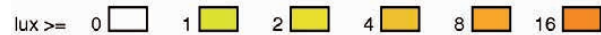
# RANGE OVERVIEW

Part number 1GA 011 720-...	-041
Close-range illumination	x
Long-range illumination	-
Terrain illumination	-
Upright mounting	x
Suspended mounting	x
Side mounting	x
Installation	-
Swivel base	x
Connection cable [mm]	300
DEUTSCH plug	-
AMP plug	-
IP 6K9K	x
IP 67	x
More features	-

# LIGHTING



Close-range illumination



[www.hella.com/eliver](http://www.hella.com/eliver)

