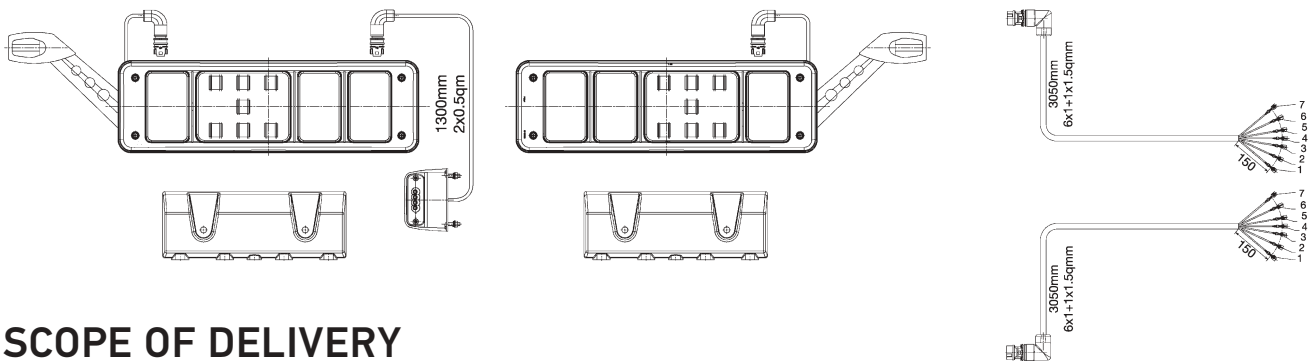


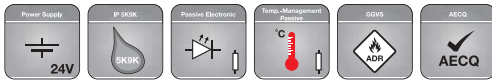
TECHNICAL DETAILS

Technical Drawing



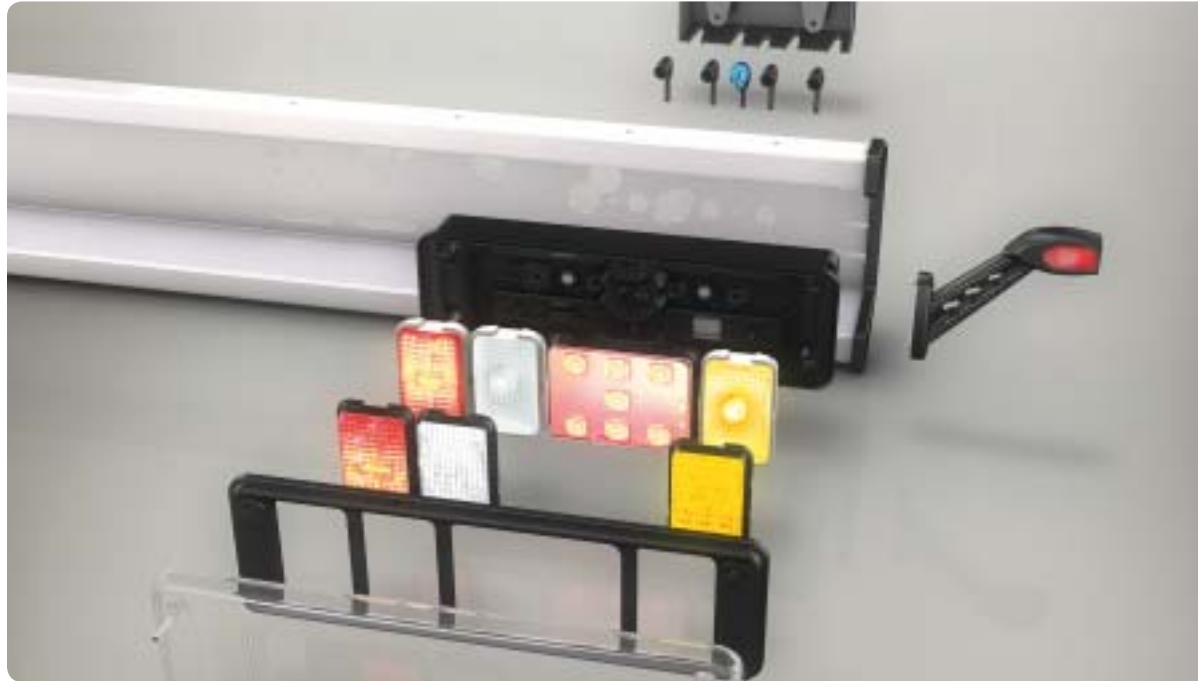
SCOPE OF DELIVERY

The EasyConn NextGeneration 9XX 340 369-011 conversion kit contains the following components:



These LED products have the following properties
Additional features are assigned separately (+)

Product image	Description	Part Number	Quantity
	Trailer tail light, right side, rear rectangular spotlight, brake light, turn signal, reversing light and clearance light. The tail, brake and clearance lights function with LEDs while the remaining functions employ bulbs.	2VP 340 961-121	1
	Trailer tail light, left side, rear rectangular spotlight, brake light, turn signal, rear foglamp, reversing light and clearance light. The tail, brake and clearance lights function with LEDs while the remaining functions employ bulbs.	2VP 340 961-111	1
+	LED licence plate light with 1.35 meter cable and 2-pin EasyConn angled plug.	2KA 010 278-071	1
	Screw cap fitted on free connection on right and left lamp. Free connections can be used for connecting up additional single-function lights.	9HV 340 812-007	2 fitted
	Protective cover for combination rear light	8XS 340 092-011	2
	1 x right / 1 x left 3.05 meter length of wiring with 7-pin angled plug for connecting to aforementioned trailer rear lights and 7 x 6.3 grade flat connector sleeves for each connection on distributor 8JE 340 151-001 which can be ordered separately if required.	RH = 340 826-22 LH = 340 826-23	1 1
	Drill template for right and left rear lights and license plate light.	340 666-03	1 on each
	Assembly instructions (460 890-32) and installation story provided on CD.		1
	Accessories group attachment material	340 248-13	1



BRIEF INFORMATION

EasyConn NextGeneration 9XX 340 369-011 Conversion kit for 24V trailer

- Continuous lighting function and brake light in LED technology
- Simple conversion

PRODUCT CHARACTERISTICS



- Complete kit for conversion of 24V trailer lighting systems currently on market.
- Wiring/cable system for the latest generation (EasyConn NextGeneration).
- Simple handling and installation with drill templates provided, made of flexible, transparent plastic, assembly instructions and installation manual.
- On many vehicles, the distributor box is already in place so we have not included this in the scope of supply. When required, the distributor box can be ordered separately by quoting part number 8JE 340 151-001. The distributor box enables different wiring groups to be included - also for other systems.
- Special functions such as axle lift must be taken into consideration during installation.
- This delivers many benefits to the consumer: great reliability, low maintenance expense and reduced energy consumption.

automechanika
greendirectory

EasyConn NextGeneration from HELLA selected for the 'Green Directory' environmental award at Automechanika 2012