



## BRIEF INFORMATION

### Power Beam 1500

- Universal LED worklight
- Powerful light output
- For versatile use

## PRODUCT CHARACTERISTICS

The Power Beam 1500 is an ideal LED worklight that combines powerful light output with a practical design. The worklight is designed to support universal use thanks to its compact dimensions.

The light from the 6 high-power LEDs is distributed homogeneously across the workspace by a specially developed multi-faceted reflector. Thanks to its powerful light output, the Power Beam 1500 can replace standard halogen worklights (e.g. H3/55 watt) – and does so with a power consumption of just 22 watts. It makes this worklight ideal for use on battery-operated vehicles or on vehicles where the alternator is already under a heavy load. The light can be operated with both 12 V and 24 V. The integrated electronics are inverse polarity protected and equipped with an LED fault jumper. This ensures the worklight's function even in the unlikely case of an LED failure.

With its colour temperature of 5.700° Kelvin, the light from the LED worklight is very similar to daylight.

This helps to distinguish colours more easily in the dark, and thus facilitate the human eye's sensory perception task. This in turn facilitates work at night and prevents the eyes tiring quickly.

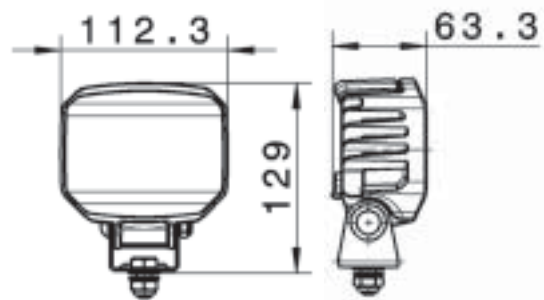
The worklight's black housing is made of aluminium and incorporates cooling fins. These ensure sufficient heat dissipation from the 6 high-power LEDs. Additionally, a temperature sensor protects the worklight from overheating. This allows customers to leverage the long service life of the LEDs (up to 130 times longer than a halogen filament bulb). The plastic part on the back is used as a handle to tilt the worklight to the right position.

# TECHNICAL DETAILS

## Technical specifications

Operating voltage	Multi-voltage 9–33 V
Recommended inclination angle	10°–12°
Light source	6 high-power LEDs
Power consumption	22 W
Light output	1,300 lm
Colour temperature	5,700° Kelvin
Protection class	IP 6K9K and IP 6K7
Type approval	Ⓔ
Housing	Aluminium, painted black

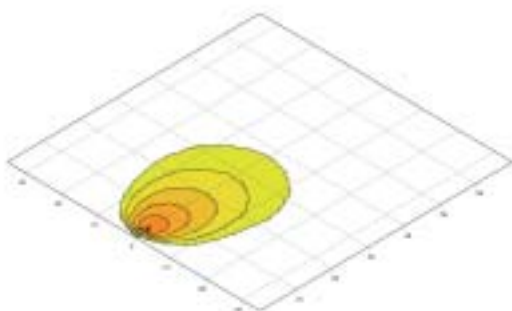
## Technical drawing



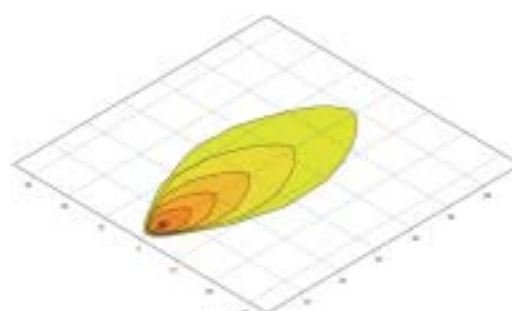
# PRODUCT OVERVIEW

Part number 1GA 996 288 ...	-001	-011	-021	-031
Long-range illumination	x		x	
Near-field illumination		x		x
Upright surface-mounting	x	x	x	x
Heavy-duty circumferential bar			x	x
DEUTSCH plug	x	x	x	x
Nylon lens	x	x	x	x
IP 6K9K/pressure cleaner	x	x	x	x
IP 6K7/waterproof	x	x	x	x
Integrated electronics	x	x	x	x
Overheating protection	x	x	x	x
Polarity reversal protection	x	x	x	x

# LIGHTING



Near-field illumination



Long-range illumination

