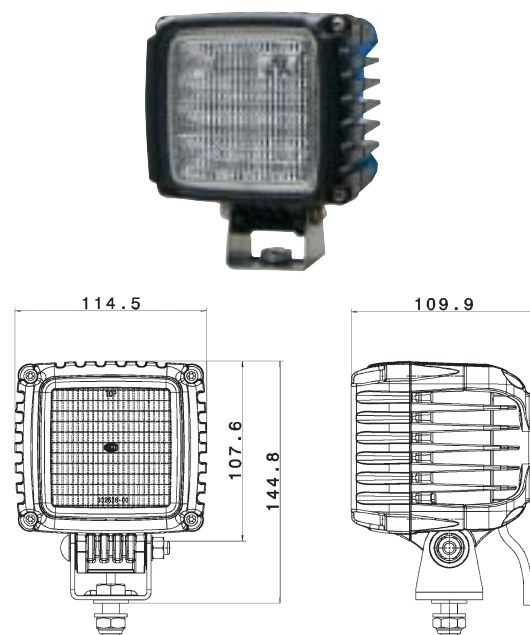


The optimum in LED

- 16 high-power-LEDs
- No interference with electronic devices e. g. radio
- Homogeneous close-range illumination – offering light intensity that is comparable with Xenon worklights
- Diecast aluminium housing, bracket made of stainless steel
- Lower power consumption compared with halogen light sources (43 Watts)
- Polarity reversal protection
- Overheating protection thanks to an integrated thermal sensor
- Service life of up to more than 100 times that of a halogen bulb (up to 60,000 hours)
- Lens made of nylon – absolutely scratch and break-proof

Technical data	
Operating voltage	Multi-voltage 9–33 V
Power consumption	43 W
Luminous flux	2,200 lm permanent light intensity
Colour temperature	5,700° Kelvin
Ambient temperature	-40°C to + 50°C
Contacting	Cable with stripped ends
Cover lens	Plastic
Protective category	IP 6K9K high-pressure cleaning, IP 6K7 waterproof

Product picture and technical drawing



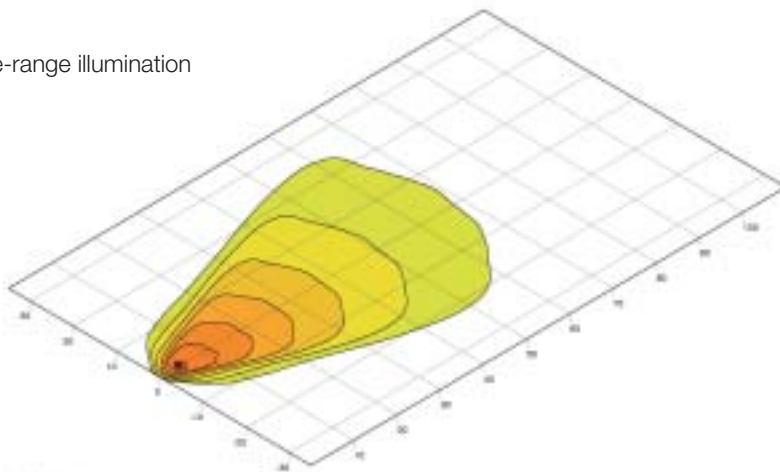
Ideas today for the cars of tomorrow

Programme overview

Part numbers	Specifications	Cable length
1GA 996 189-001	Close-range illumination, cable	1960 mm (2 m)
1GA 996 189-011	Close-range illumination, DT connector integrated	–
1GA 996 189-031	Close-range illumination, cable, pendant mounting	1960 mm (2 m)
1GA 996 189-051	Long-range illumination, cable	1960 mm (2 m)

Illumination

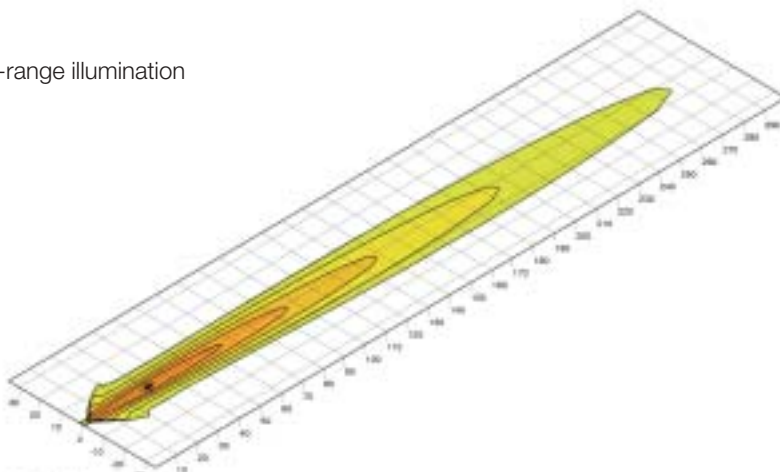
Close-range illumination



Isolinien [lux] : 1, 2, 4, 8, 16, 32, 64



Long-range illumination



Isolinien [lux] : 1, 2, 4, 8, 16, 32

