

Halogen Technology Boasting an Attractive Price Performance Ratio

- Robust, easy-clean domes with a handy pressure point locking system
- Integrated inverse polarity protection
- Maintenance-free, supported belt drive for constant rotational frequency and optimum smooth running
- Variants available for multi-voltage operation
- **Flexible version:** More flexible, shock-absorbing base cushions against extreme shocks and minimises the danger of damage. The light always returns to the optimum position (maximum tilt: 90°)
- At the same time the flexible housing base serves as a shock absorber
- Theft protection thanks to Allen socket screw fixing
- **SB variants with central bolts:** Variants with separate screw connections available for fixed installation

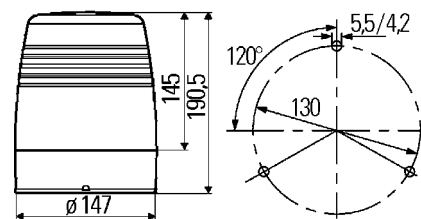
Technical Data KL JuniorPlus

Rated voltage (U_N)	12 V	24 V
Operating voltage (U_B)	10,8–13,8 V	21,6–27,6 V
Interference suppression	Conducted Class 3 (CISPR 25)	
Speed	180rpm	
Power consumption bulb	55 W	70 W
Overall current consumption	5 A	3 A
Operating temperature range	-40 °C to + 60 °C	
Installation (KL JuniorPlus F)	From below	
Operating position	Upright	
Protective rating	IP5K4K, IP9K (resistant to dust and high-pressure jet cleaners)	

Type Approval

Photometric homologation	Ⓔ 001419, (ECE-R65)
EMC protection	Ⓔ 022954

Product picture and technical drawing



Product Overview



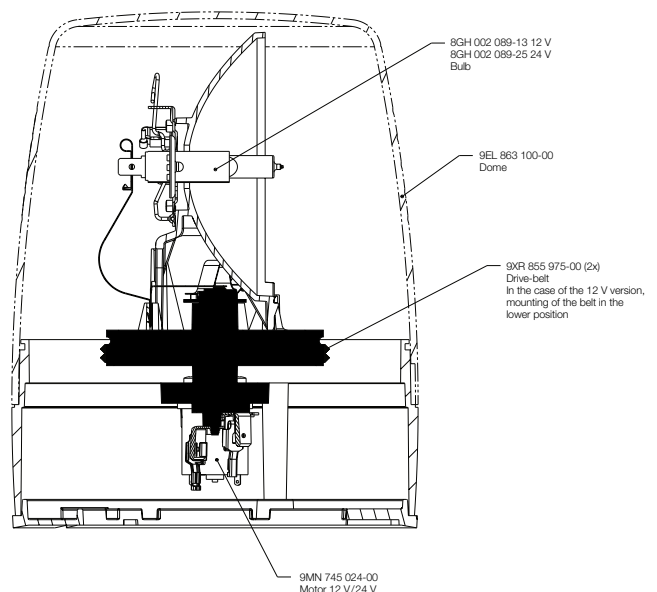
	KL JuniorPlus F					KL JuniorPlus FL					KL JuniorPlus M				KL JuniorPlus SB		
	●	●	●	●	●	●	●	●	●	●	●	●	●	●	●	●	●

Part Number	2RL 008 965 ...					2RL 008 967 ...					2RL 008 966 ...				2RL 008 990 ...		
	-001	-011	-021	-031	-041	-001	-011	-021	-031	-041	-001	-011	-021	-031	-001	-011	-021
Rated voltage 12 V	■		■	■		■		■	■		■		■	■	■		■
Rated voltage 24 V		■	■		■		■	■		■		■	■			■	■
Diameter	147	147	147	147	147	147	147	147	147	147	147	147	147	147	147	147	147
Height	145	145	145	145	145	145	145	145	145	145	145	145	145	145	145	145	145
Installation (firmly fixed)	■	■	■	■	■												
Installation (magnet)											■	■	■	■			
Installation (flexible)						■	■	■	■	■							
Installation from below	■	■	■	■	■												
Dome material	PMMA					PMMA					PMMA				PMMA		
Dome, amber	■	■	■			■	■	■			■	■	■		■	■	■
Dome, blue				■	■				■	■				■			
Interference suppression Conducted Class 3 (CISPR 25)	■	■	■	■	■	■	■	■	■	■	■	■	■	■	■	■	■

Accessories and Spare Parts

Dome (PMMA)	9EL 863 100-001
Combination motor 12 V/24 V	9MN 745 023-001
Bulb 12 V/55 W	8GH 002 089-133
Bulb 24 V/70 W	8GH 002 089-251
Drive belt x2	9XR 855 975-001

Technical details



Light distribution

