



- *Compact halogen worklight*
- *Modern transparent glass design*
- *Homogeneous close-range illumination*

Product Characteristics



The Oval 90 from Hella is a compact worklight in an attractive modern design. The Oval 90 product range includes both halogen and xenon worklights.

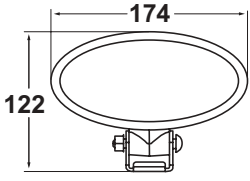
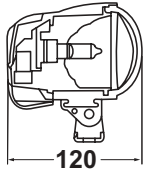
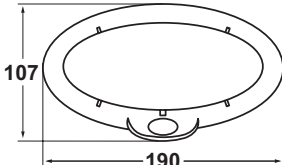
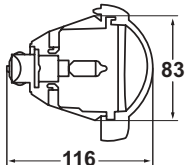
In addition to its attractive transparent glass design, the Oval 90 HB3 also features a hardened glass lens and impact-resistant housing capable of withstanding high mechanical loads. A specially developed multifaceted reflector distributes light evenly across the close range working area.

With a luminous flux in excess of 1,860 lumens, the HB3 bulb has an operating voltage of 12 V and power consumption of 60 W. The sophisticated construction of the housing provides protection against dirt and splash water while allowing bulbs to be replaced quickly without the need for tools.





Technical Details

Technical Data	
Operating voltage	12 V
Light source	HB3 bulb
Power consumption	60 W
Light output	1,860 lm
Color temperature	2900 k
Protection class	IP 6K9K

Technical Drawing	
Surface-mount version	
	
Flush-mount version	
	

Product Range

Product Image	Part Number	Specification
	1GB 996 186-051	Oval 90 12 V, surface-mount version close-range illumination
	1GB 996 186-061	Oval 90 12 V, flush-mount version close-range illumination

Light distribution

