

BMW i3 (I01) - Noises in the area of the doors | HELLA

BMW

i3 (I01)

Model year: 2013

Noises in the area of the doors

In this case, the customer complains of an unpleasant creaking or jarring noise when opening or closing the doors.

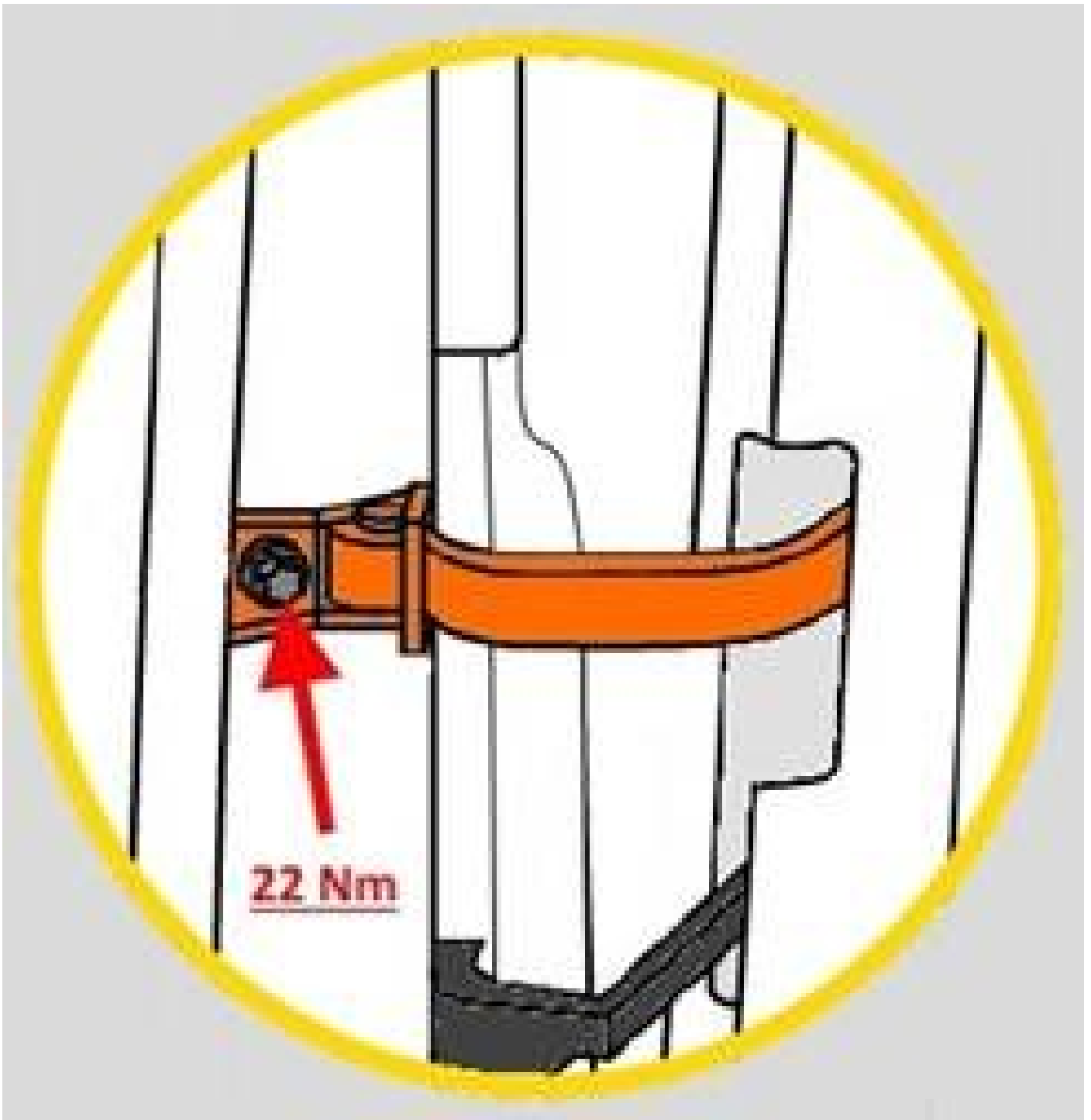
Troubleshooting:

A closer look at the door mechanism revealed that the fastening screw of the door check strap had come loose.

(It is possible that all doors can be affected).

Remedy:

- Disassemble the fixing screw
- Check the mounting hole and the screw for damage (thread, etc.) and repair or replace if necessary
- Tighten the fixing screw to torque as specified by the vehicle manufacturer (22Nm) (see picture)
- Repeat this procedure for all doors



-Fixing screw (ASA M8x22) OE No. 07147248803

Caution: Electric vehicle!

High-voltage components - risk of accident and injury (electric shock)!