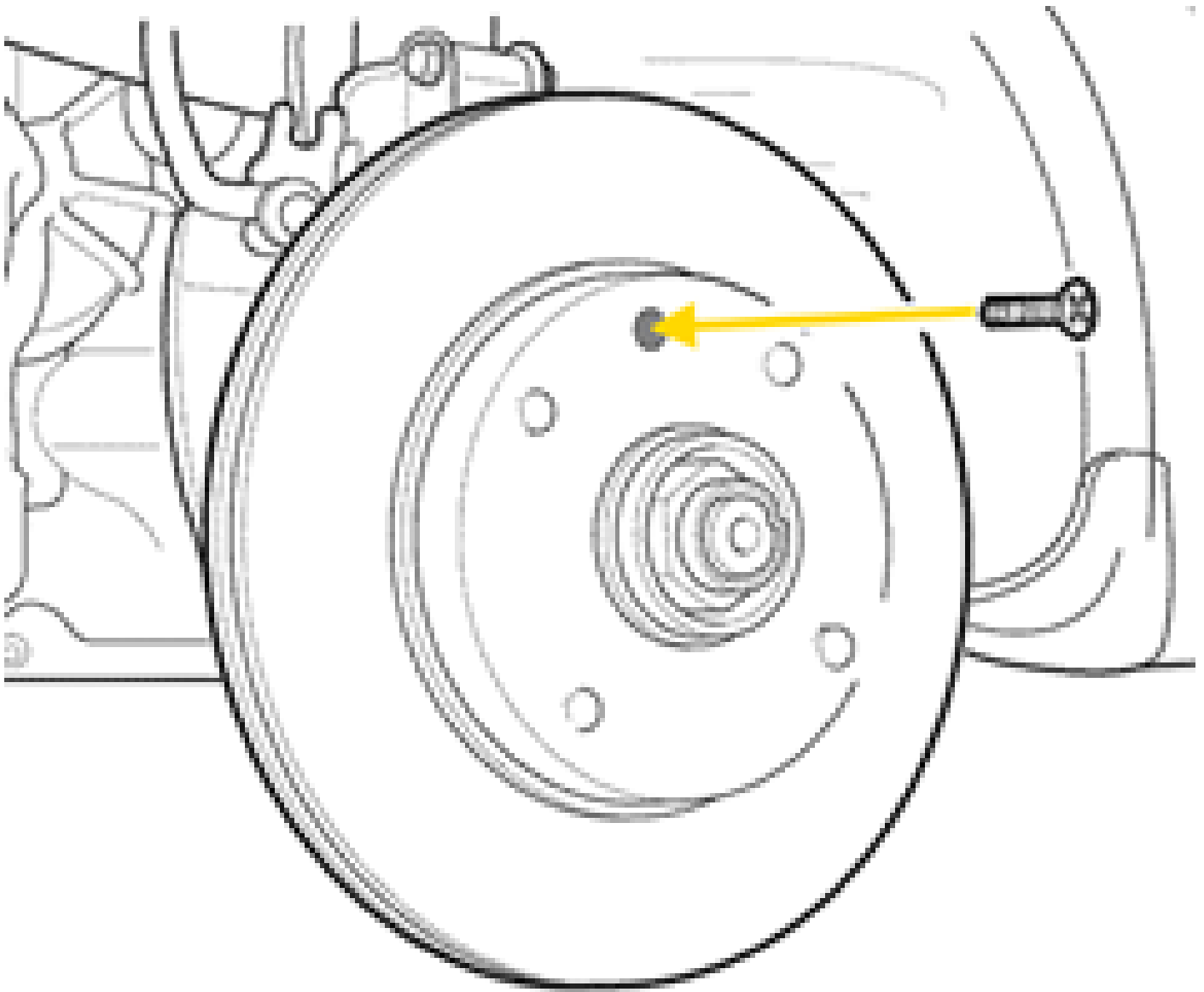


Bremseskiver - fikseringsskrue | HELLA

Funktion En del bilfabrikanter benytter en ekstra fikseringsskrue til at fastholde bremseskiven. Skruen tjener i første række til at positionere bremseskiven korrekt på hjulnavet. Samtidig forhindres det, at bremseskiven løsner sig fra anlægsfladen på hjulnavet ved hjulskift, så der kommer snavs eller rust ind bag bremseskiven. Det kan medføre, at bremseskiven kommer til at sidde skævt og dermed forårsage unormalt tidligt slid af bremseklodser og bremseskive. **Monteringsvejledning** Beskadigede eller manglende skruer skal erstattes. For at undgå monteringsfejl skal bilfabrikantens foreskrevne tilspændingsmoment følges. **Produktinformation** HELLA fikseringsskrue-sæt gør det let at montere bremseskiver. Det sparer tid, og det letter desuden udskiftning af beskadigede fikseringsskruer. HELLA tilbyder et komplet sæt med alle 12 gængse fikseringsskruer på markedet i en metalæske. Desuden er det altid muligt at efterbestille fikseringsskruer enkeltvis. **Bestillingsnummer: 8DZ 355 209-991**

Some vehicle manufacturers use an additional centering screw for mounting the brake disc.



Assembly instructions

Damaged or missing screws must be replaced. In order to prevent mistakes during mounting, the tightening torque specified by the vehicle manufacturer in question must be observed.

Product information

The HELLA locating screws set enables you to mount brake discs easily. This saves you time and also makes it easier to replace damaged locating screws.



ⓘ Important safety note

Technical information and practical tips have been compiled by HELLA in order to provide professional support to vehicle workshops in their day-to-day work. The information provided on this website is intended for use by suitably qualified personnel only.

Reprinting, distribution, reproduction, exploitation in any form or disclosure of the contents of this document, even in part, is prohibited without our express, written approval and indication of the source. The schematic illustrations, pictures and descriptions serve only for the purposes of explanation and representation of the instructions and cannot be used as a basis for installation or assembly work. All rights reserved.