



BRIEF INFORMATION

HELLA VALUEFIT

Blade LED auxiliary high beam headlamp 7" and 9"

- Auxiliary headlamp with innovative LED position light in white or amber
- White: For use on public roads
- Amber: For individual, attention-grabbing vehicle styling (off-road use)
- In two sizes and designs with shallow mounting depth

PRODUCT FEATURES

Innovative LED position light
in white or amber



Resilient aluminium housing

Resilient fastening bracket made of glass fibre (PA66 + GF)

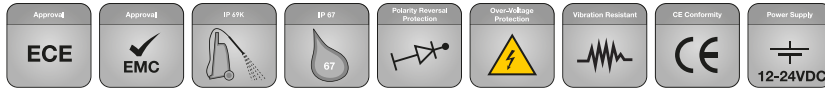
Versions

- Round design in 7" or 9" with LED position light in white and / or white / amber with chrome or black housing
- Rectangular design in 9" with LED position light in white and / or white / amber with chrome design ring

- Bright auxiliary high beam headlamp with striking design makes a statement on any vehicle
- The innovative design of the LED position light with razor-sharp contour supports the characteristic look of the new Blade series
- White position light for use as an auxiliary high beam headlamp on public roads
- Amber position light for use off the public roads
- 9" versions are particularly suitable for mounting on the truck bracket
- 7" versions are ideal for mounting on off-road vehicles and SUVs
- Rectangular 9" version is particularly suitable for classic vehicles
- High-quality, robust auxiliary high beam headlamp with aluminium housing and fastening bracket made of glass fibre (PA66 + GF)
- Resilient mounting with black screw
- Multi-voltage: suitable for 12 V and 24 V rated voltage
- High beam with reference no. 25 or 50
- ECE type-approved (ECE R149 high beam, ECE R148 position light (white position light), amber position light not ECE type-approved)
- Electromagnetic compatibility (ECE R10 EMC)

TECHNICAL DETAILS

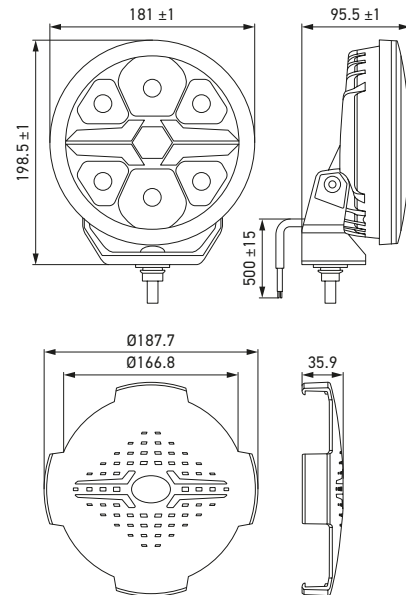
BLADE 7 INCH ROUND



Technical data	
Rated voltage	Multi-voltage
Operating voltage	12 – 24 V DC
Power consumption	22 W (ECE ref. 25), 36 W (ECE ref. 50)
Light function	Auxiliary high beam headlamp and PO light
Light source	LED
Colour temperature	6,000 K (headlamp)
Material	Housing: Aluminium Bezel: Plastic (ABS) Lens: PC (Polycarbonate) Bracket: Plastic / glass fibre PA66 + GF
Housing colour	Chrome or black
Weight	1,200 g
Temperature range	Ambient temperature: -30 °C to +60 °C Storage temperature: -40 °C to +80 °C
Degree of protection	IP 69K, IP 67
Type approval	ECE R10 (EMC), R148,R149
Ref. no.	25 or 50
Number of LEDs	6
Mounting	Upright
Connection	500 mm cable with open ends
Application	Trucks in local, long-distance and construction traffic and SUVs, off-road vehicles, off-roaders

The AMBER position light does not have ECE approval: use may be limited to off-road areas off the public roads according to local regulations (see installation instructions).

Dimensional sketch



Round cover, 7 inch (8XS 358 198-001, optional accessories)

Note:

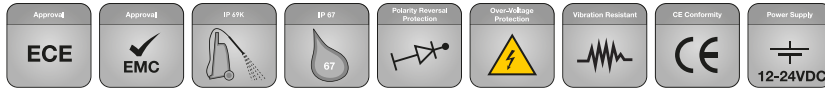
STREET		OFFROAD ONLY	
DRIVING LIGHT	POSITION LIGHT	DRIVING LIGHT	POSITION LIGHT

PROGRAM OVERVIEW

Product Image	Variant	Description	Position Light Colour	Part Number
	HELLA VALUEFIT Chrome Blade 7 inch round	22 W, ECE ref. 25	White	1FJ 357 198-001
		36 W, ECE ref. 50		1FJ 357 198-011
		22 W, ECE ref. 25	White or amber (connection optional)	1FJ 357 198-021
		36 W, ECE ref. 50		1FJ 357 198-031
	HELLA VALUEFIT Black Blade 7 inch round	22 W, ECE ref. 25	White	1FJ 357 198-041
		36 W, ECE ref. 50		1FJ 357 198-051
		22 W, ECE ref. 25	White or amber (connection optional)	1FJ 357 198-061
		36 W, ECE ref. 50		1FJ 357 198-071

TECHNICAL DETAILS

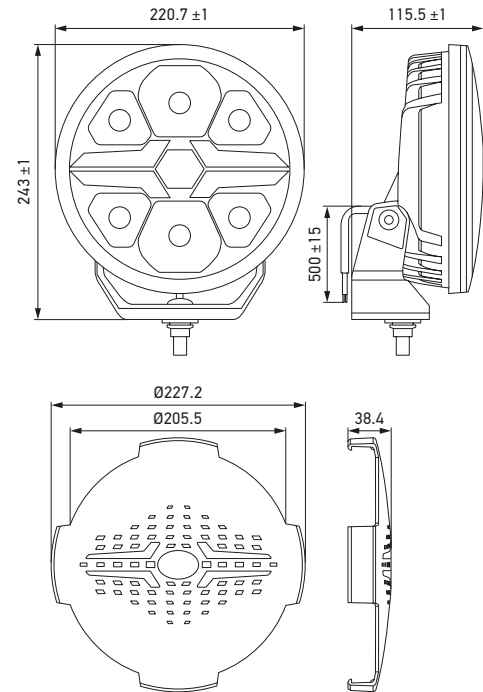
BLADE 9 INCH ROUND



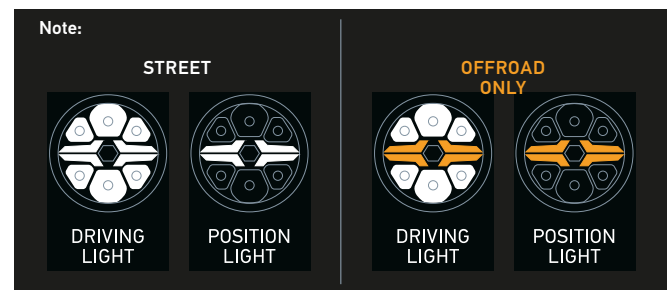
Technical data	
Rated voltage	Multi-voltage
Operating voltage	12 – 24 V DC
Power consumption	17 W (ECE ref. 25), 18 W (ECE ref. 50)
Light function	Auxiliary high beam headlamp and PO light
Light source	LED
Colour temperature	6,000 K (headlamp)
Material	Housing: Aluminium Bezel: Plastic (ABS) Lens: PC (Polycarbonate) Bracket: Plastic / glass fibre PA66 + GF
Housing colour	Chrome or black
Weight	1,920 g
Temperature range	Ambient temperature: -30 °C to +60 °C Storage temperature: -40 °C to +80 °C
Degree of protection	IP 69K, IP 67
Type approval	ECE R10 (EMC), R148,R149
Ref. no.	25 or 50
Number of LEDs	6
Mounting	Upright
Connection	500 mm cable with open ends
Application	Trucks in local, long-distance and construction traffic and SUVs, off-road vehicles, off-roaders

The AMBER position light does not have ECE approval: use may be limited to off-road areas off the public roads according to local regulations (see installation instructions).

Dimensional sketch



Round cover, 9 inch (8XS 358 198-011, optional accessories)

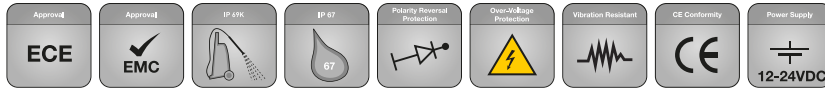


PROGRAM OVERVIEW

Product Image	Variant	Description	Position Light Colour	Part number
	HELLA VALUEFIT Chrome Blade 9 inch round	17 W, ECE ref. 25	White	1FJ 357 199-001
		18 W, ECE ref. 50		1FJ 357 199-011
		17 W, ECE ref. 25	White or amber (connection optional)	1FJ 357 199-021
		18 W, ECE ref. 50		1FJ 357 199-031
	HELLA VALUEFIT Black Blade 9 inch round	17 W, ECE ref. 25	White	1FJ 357 199-041
		18 W, ECE ref. 50		1FJ 357 199-051
		17 W, ECE ref. 25	White or amber (connection optional)	1FJ 357 199-061
		18 W, ECE ref. 50		1FJ 357 199-071

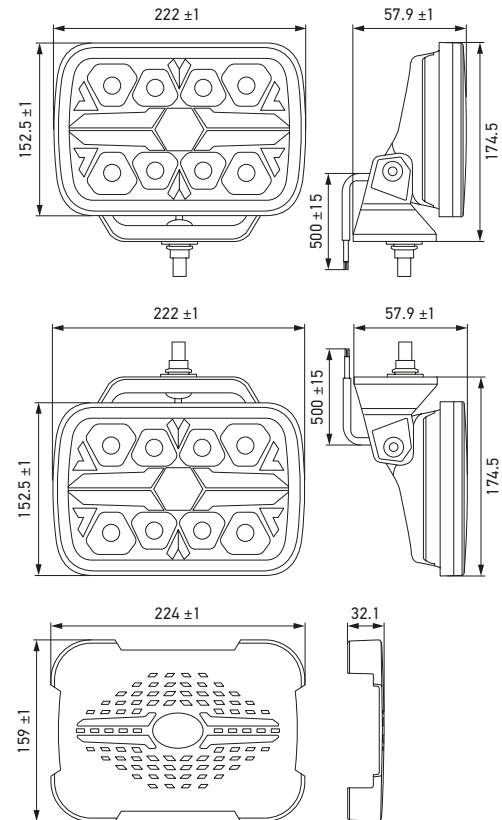
TECHNICAL DETAILS

BLADE RE 9 INCH RECTANGULAR



Technical data	
Rated voltage	Multi-voltage
Operating voltage	12 – 24 V DC
Power consumption	36 W
Light function	Auxiliary high beam headlamp and PO light
Light source	LED
Colour temperature	6,000 K (headlamp)
Material	Housing: Aluminium Bezel: Plastic (ABS) Lens: PC (Polycarbonate) Bracket: Plastic / glass fibre PA66 + GF
Housing colour	Chrome or black
Weight	1,550 g
Temperature range	Ambient temperature: -30 °C to +60 °C Storage temperature: -40 °C to +80 °C
Degree of protection	IP 69K, IP 67
Type approval	ECE R10 (EMC), R148,R149
Ref. no.	25
Number of LEDs	8
Mounting	Upright or pendant
Connection	500 mm cable with open ends
Application	Trucks in local, long-distance and construction traffic and SUVs, off-road vehicles, off-roaders

Dimensional sketch



Rectangular cover, 9 inch (8XS 358 198-021, optional accessories)

The AMBER position light does not have ECE approval: use may be limited to off-road areas off the public roads according to local regulations (see installation instructions).

Note:

STREET		OFFROAD ONLY	
DRIVING LIGHT	POSITION LIGHT	DRIVING LIGHT	POSITION LIGHT

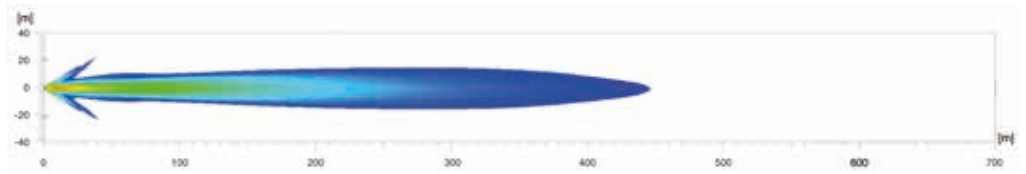
PROGRAM OVERVIEW

Product Image	Variant	Description	Position Light Colour	Part Number
	HELLA VALUEFIT Chrome Blade RE 9 inch rectangular	Upright	White or amber (connection optional)	1FJ 357 199-081
		Pendant		1FJ 357 199-091
	HELLA VALUEFIT Blade Blade RE 9 inch rectangular	Upright	White or amber (connection optional)	1FJ 357 199-181
		Pendant		1FJ 357 199-191

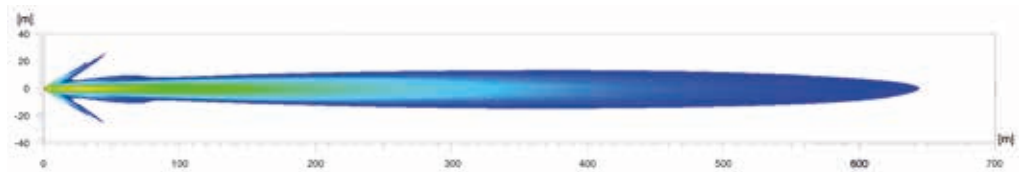
ILLUMINATION

The light distribution shows two operational headlamps.

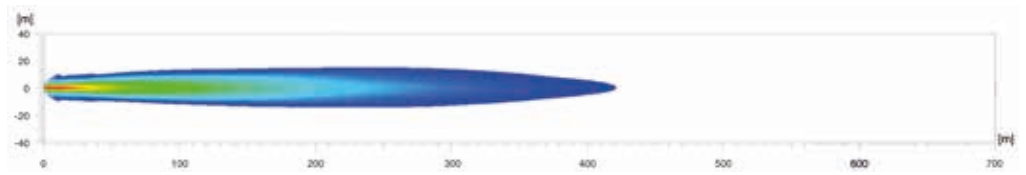
HELLA VALUEFIT Blade 7 inch round
Reference number 25



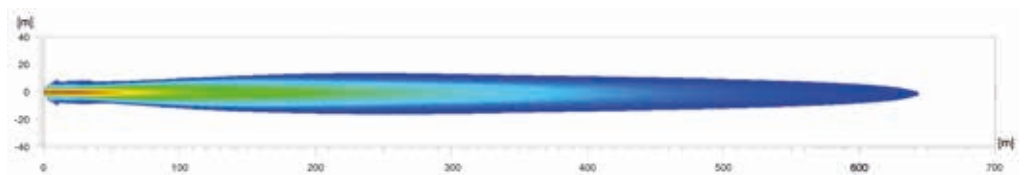
HELLA VALUEFIT Blade 7 inch round
Reference number 50



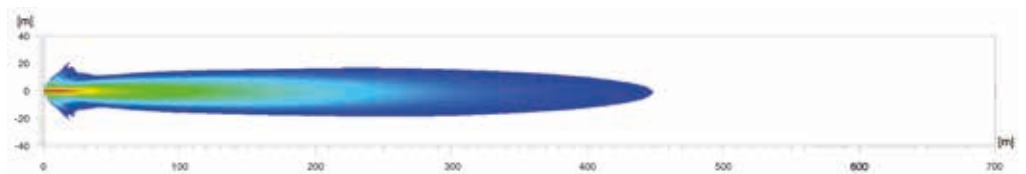
HELLA VALUEFIT Blade 9 inch round
Reference number 25






HELLA VALUEFIT Blade 9 inch round
Reference number 50



HELLA VALUEFIT Blade 9 inch rectangular
Reference number 25



ACCESSORIES

Product Image	Description	Part Number
	<p>Protective caps with HELLA logo present and translucent position light contour.</p> <p>HELLA VALUEFIT Blade 7 inch, round cover</p>	<p>8XS 358 198-001</p>
	<p>HELLA VALUEFIT Blade 9 inch, round cover</p>	<p>8XS 358 198-011</p>
	<p>HELLA VALUEFIT Blade 9 inch, rectangular cover</p>	<p>8XS 358 198-021</p>

In some countries, protective caps are not permitted by law. Before using them on public roads, please check with the relevant government authority.

APPLICATION EXAMPLES

