



BRAKE SYSTEMS

**BRAKE DISC FOR THE
FIAT DUCATO**

FIRST
TO MARKET

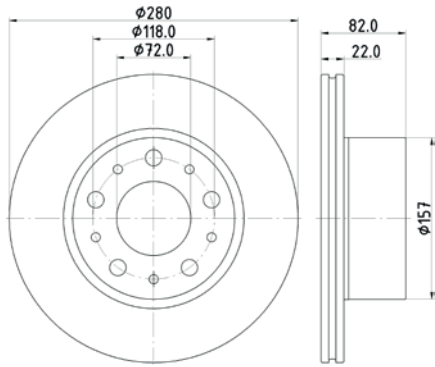


Hella Pagid Brake Systems is one of the leading providers of brake systems in the independent aftermarket, supplying an extensive range of products. We will also be the first manufacturer in the market to offer our outstanding technology, meeting the toughest demands, for the FIAT DUCATO.

Long article number	Short article number	Product	Vehicle	Years of Production
8DD 355 134-991	56449PRO	Brake Disc RA	DUCATO (250_)	07/21 -

RELIANCE. TRUST. PERFORMANCE.

BRAKE DISC RA



An exceptionally wide range of more than 14,000 products in four areas – brake hydraulics, wearing parts, fluids & chemicals and accessories – sets HELLA PAGID apart.

All our products are notable for their high level of safety, comfort and durability. Almost 100% of existing European vehicles are covered by HELLA PAGID brake pads and brake discs – a clear indication of our aspiration to achieve perfection and of the quality of our products.

And because safety is paramount in braking systems, we work hard to continually update our range of products, anticipating technological developments well in advance.

OE-References:

52161295, 52161296

BRAND	MODEL	YEARS OF PRODUCTION
FIAT	DUCATO Bus (250_)	07/21 –
	140 Multijet 2,2 D	07/21 –
	DUCATO Van (250_)	07/21 –
	120 Multijet 2,2 D	07/21 –
	140 Multijet 2,2 D	07/21 –
	160 Multijet 2,2 D	07/21 –
	180 Multijet 2,2 D	07/21 –
	DUCATO Platform/Chassis (250_)	09/21 –
	120 Multijet 2,2 D	09/21 –
	140 Multijet 2,2 D	09/21 –
	160 Multijet 2,2 D	09/21 –
	180 Multijet 2,2 D	09/21 –