



BRAKE SYSTEMS

**BRAKE PADS FOR THE
AUDI RS3 QUATTRO
AND FOR ADDITIONAL
MODELS**

NEW
TO MARKET

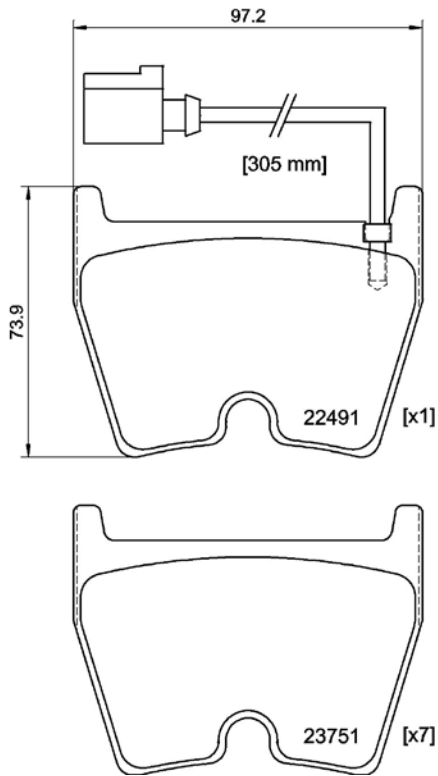


Hella Pagid Brake Systems is one of the leading providers of brake systems in the independent aftermarket, supplying an extensive range of products. We now also offer our outstanding technology, meeting the toughest demands, for the AUDI RS3 quattro. Here, you'll find a brief overview of the relevant article numbers and models.

Long article number	Short article number	Product	Vehicle NEW / New-to-Market	Years of Production
8DB 355 025-171	T2581	Brake Pads FA	A3 Sedan RS3 quattro (8VS, 8VM); A3 Sportback RS3 quattro (8VA, 8VF); Q3 RS 2.5 quattro (8UB, 8UG); TT (FV3, FVP); TT Roadster (FV9, FVR)	10/13 –

RELIANCE. TRUST. PERFORMANCE.

BRAKE PADS FA



An exceptionally wide range of more than 14,000 products in four areas – brake hydraulics, wearing parts, fluids & chemicals and accessories – sets HELLA PAGID apart.

All our products are notable for their high level of safety, comfort and durability. Almost 100% of existing European vehicles are covered by HELLA PAGID brake pads and brake discs – a clear indication of our aspiration to achieve perfection and of the quality of our products.

And because safety is paramount in braking systems, we work hard to continually update our range of products, anticipating technological developments well in advance.

OE-Reference:

8U0698151F; 8U0698151G; 8U0698151H; 8U0698151J; 8V0698151F; 8V0698151K; 8V0698151M; 8V0698151N; 8V0698151L

BRAND	MODEL	YEARS OF PRODUCTION
AUDI	A3 Sedan (8VS, 8VM)	04/17 –
	RS3 quattro	04/17 –
	A3 Sportback (8VA, 8VF)	03/15 –
	RS3 quattro	03/15 –
	Q3 (8UB, 8UG)	10/13 – 10/18
	RS 2.5 quattro	10/13 – 10/18
	TT (FV3, FVP)	07/14 –
	1.8 TFSI	07/15 – 08/18
	2.0 TDI	07/14 –
	2.0 TDI quattro	01/17 –
	2.0 TFSI	07/14 –

BRAND	MODEL	YEARS OF PRODUCTION
	2.0 TFSI quattro	07/14 –
	2.5 RS quattro	10/16 –
	TT Roadster (FV9, FVR)	11/14 –
	1.8 TFSI	07/15 – 08/18
	2.0 TDI	11/14 –
	2.0 TDI quattro	01/17 –
	2.0 TFSI	11/14 –
	2.0 TFSI quattro	11/14 –
	2.0 TTS TFSI quattro	11/20 –
	2.5 RS quattro	10/16 –