



BRAKE SYSTEMS

**BRAKE PADS FOR THE
MERCEDES-BENZ
A 35 AMG AND FOR
ADDITIONAL MODELS**

NEW
TO MARKET

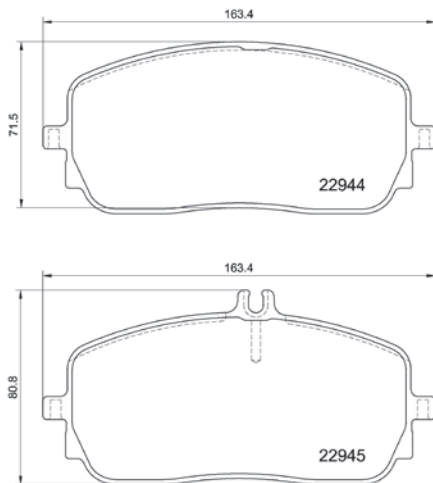


Hella Pagid Brake Systems is one of the leading providers of brake systems in the independent aftermarket, supplying an extensive range of products. We now also offer our outstanding technology, meeting the toughest demands, for the MERCEDES-BENZ A 35 AMG. Here, you'll find a brief overview of the relevant article numbers and models.

Long article number	Short article number	Product	Vehicle NEW / New-to-Market	Years of Production
8DB 355 039-011	T2799	Brake Pads FA	A-Class (W177); A-Class (V177); B-Class Sports Tourer (W247); CLA (C118); CLA Shooting Brake (X118); EQA (H243); GLA (H247); GLB (X247); GLE (V167); GLE Coupé (C167)	03/18 –

RELIANCE. TRUST. PERFORMANCE.

BRAKE PADS FA



An exceptionally wide range of more than 14,000 products in four areas – brake hydraulics, wearing parts, fluids & chemicals and accessories – sets HELLA PAGID apart.

All our products are notable for their high level of safety, comfort and durability. Almost 100 % of existing European vehicles are covered by HELLA PAGID brake pads and brake discs – a clear indication of our aspiration to achieve perfection and of the quality of our products.

And because safety is paramount in braking systems, we work hard to continually update our range of products, anticipating technological developments well in advance.

OE-Reference:

0004204802; 0004207200; 0004207400; 0004208002; A0004204802; A0004207200; A0004207400; A0004208002

BRAND	MODEL	YEARS OF PRODUCTION
MERCEDES-BENZ	A-Class (W177)	03/18 –
	A 160	06/18 –
	A 160 d	05/19 –
	A 180	06/18 –
	A 180 d	03/18 –
	A 200	03/18 –
	A 200 d	11/18 –
	A 200 d 4-matic	10/19 –
	A 220	07/18 –
	A 220 4-matic	07/18 – 10/19
	A 220 d	11/18 –
	A 220 d 4-matic	10/19 –
	A 250	03/18 –
	A 250 4-matic	07/18 –
	A 250 e	08/19 –
	AMG A 35 4-matic	09/18 –
	AMG A 45 4-matic+	07/19 –
	AMG A 45 S 4-matic+	07/19 –
	A-Class (V177)	09/18 –
	A 160 d	10/19 –
	A 180	04/19 –
	A 180 d	09/18 –
	A 200	09/18 –
	A 200 d	08/19 –
	A 200 d 4-matic	10/19 –
	A 220	01/19 –
	A 220 4-matic	09/18 –
	A 220 d	08/19 –
	A 220 d 4-matic	10/19 –
	A 250	09/18 –
	A 250 4-matic	09/18 –
	A 250 e	08/19 –
	AMG A 35 4-matic	03/19 –
	B-Class Sports Tourer (W247)	12/18 –
	B 160	04/19 –
	B 160 d	05/19 –
	B 180	12/18 –
	B 180 d	12/18 –
	B 200	12/18 –
	B 200 d	12/18 –
	B 200 d 4-matic	10/19 –
	B 220	04/19 –
	B 220 4-matic	01/19 –
	B 220 d	12/18 –
	B 220 d 4-matic	10/19 –
	B 250	01/19 –
	B 250 4-matic	01/19 –
	B 250 e	06/20 –
	CLA (C118)	03/19 –
	CLA 180	03/19 –
	CLA 180 d	03/19 –

BRAND	MODEL	YEARS OF PRODUCTION
	CLA 200	03/19 –
	CLA 200 4-matic	10/20 –
	CLA 200 d	04/19 –
	CLA 220	03/19 –
	CLA 220 4-matic	03/19 –
	CLA 220 d	04/19 –
	CLA 250	03/19 –
	CLA 250 4-matic	03/19 –
	CLA 250 e	06/20 –
	AMG CLA 35 4-matic	04/19 –
	AMG CLA 45 4-matic+	07/19 –
	CLA Shooting Brake (X118)	06/19 –
	CLA 180	06/19 –
	CLA 180 d	06/19 –
	CLA 200	06/19 –
	CLA 200 4-matic	10/19 –
	CLA 200 d	06/19 –
	CLA 220	06/19 –
	CLA 220 d	06/19 –
	CLA 220 d 4-matic	10/19 –
	CLA 250	06/19 –
	CLA 250 4-matic	06/19 –
	CLA 250 e	06/20 –
	AMG CLA 35 4-matic	06/19 –
	EQA (H243)	02/21 –
	EQA 250	02/21 –
	EQA 300 4-matic	05/21 –
	EQA 350 4-matic	05/21 –
	GLA (H247)	02/20 –
	GLA 180	07/20 –
	GLA 180 d	03/20 –
	GLA 200	02/20 –
	AMG A 35 4-matic	06/20 –
	AMG A 45 4-matic+	06/20 –
	AMG A 45 S 4-matic+	06/20 –
	GLB (X247)	08/19 –
	GLB 180 d	08/19 –
	GLB 200	08/19 –
	GLB 200 d	08/19 –
	GLB 200 d 4-matic	08/19 –
	GLB 220 d	12/19 –
	GLB 220 d 4-matic	08/19 –
	GLB 250	12/19 –
	GLB 250 4-matic	08/19 –
	AMG A 35 4-matic	08/19 –
	GLE (V167)	10/18 –
	GLE 300 d 4-matic	10/18 –
	GLE 350 d 4-matic	12/18 –
	GLE 400 d 4-matic	12/18 –
	GLE Coupé (C167)	11/19 –
	GLE 400 d 4-matic	11/19 –