



DYNARAY

FOR
YOU.



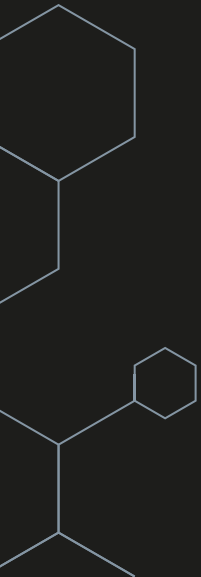


SEE AND BE SEEN.

A brilliant design that really impresses: not only do the precisely arranged LEDs create vibrant lighting accents, they also give the lamps an unmistakable look. Modern, dynamic and clean-cut – they make every vehicle an eye-catcher, whether on or off-road. The perfect combination of functionality and style.

The clear cover lens working with powerful reflectors makes for excellent visibility whatever kind of terrain your vehicle is on. Maximised luminous efficiency guarantees a perfect overview of the road at all times – which in turn means more safety and control, even under the toughest conditions.

The resistant and uniform design of the LED light bar is ideal for chiming together in harmony with off-road vehicles and trucks. The black auxiliary high beam headlamp integrates seamlessly into the vehicle design and bestows upon every vehicle a striking and truly aesthetic look. Even the mounting material is styled in black to perfectly complete the flowing, clear-cut design.



BLACK & BEAUTIFUL

Maximum protection thanks to
anodised aluminium housing

Precision LEDs with
a facet cut for crystal
clear light performance

Seamless black design
for perfect integration into
the vehicle

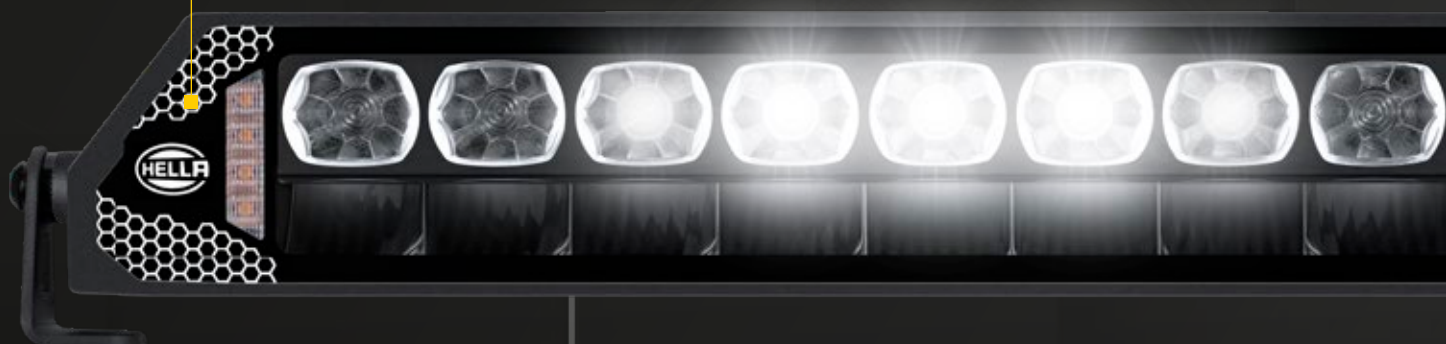


ROUGH

& READY



The lamp seems to be alive and breathing.
We call that the welcome light!



ALMOST TAKES YOUR BREATH AWAY – THIS BREATHING LIGHT IS SO STUNNING.

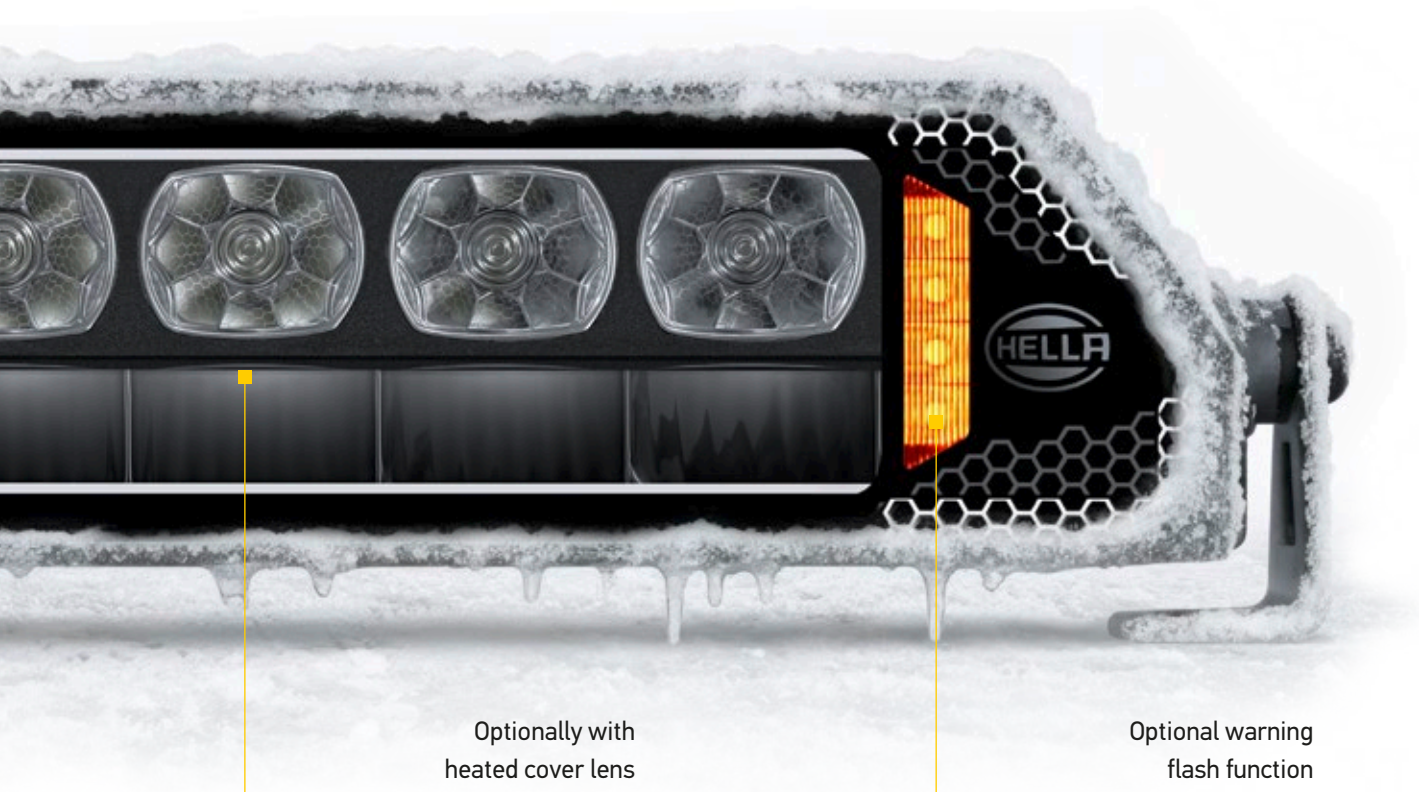
The "Breathing Light" function of the DynaRay light bar creates a softly pulsating light that seems to be slowly breathing in and out. This atmospheric light visually accentuates the LED light bar by elegantly highlighting it as it is switched on and off or activated. The light slowly becomes brighter and then dims again, a sequence that bestows upon the vehicle a modern and dynamic sparkle. Together with this aesthetic effect, the "Breathing Light" can also display that the vehicle is ready and waiting and in standby mode, thus serving as an optical highlight, which enhances the design of the vehicle.

The individually customisable position light mode introduces new highlights to vehicle design and embellishes the auxiliary lamp with an unmistakable look. This flexible lighting is able to fulfil the most diverse kinds of customer requests and can be perfectly tailored to suit various situations.



A design for perfect
heat dissipation.

COOL & HOT



Optionally with
heated cover lens

Optional warning
flash function

THE HEATED COVER LENS OUTDOES EVEN THE COOLEST TEMPERATURES. THAT'S REALLY HOT!

Clear visibility even in wintry conditions with snow and frost. The heated, sensor-controlled cover lens ensures optimal visibility, even in bad weather, and so enhances the safety factor.

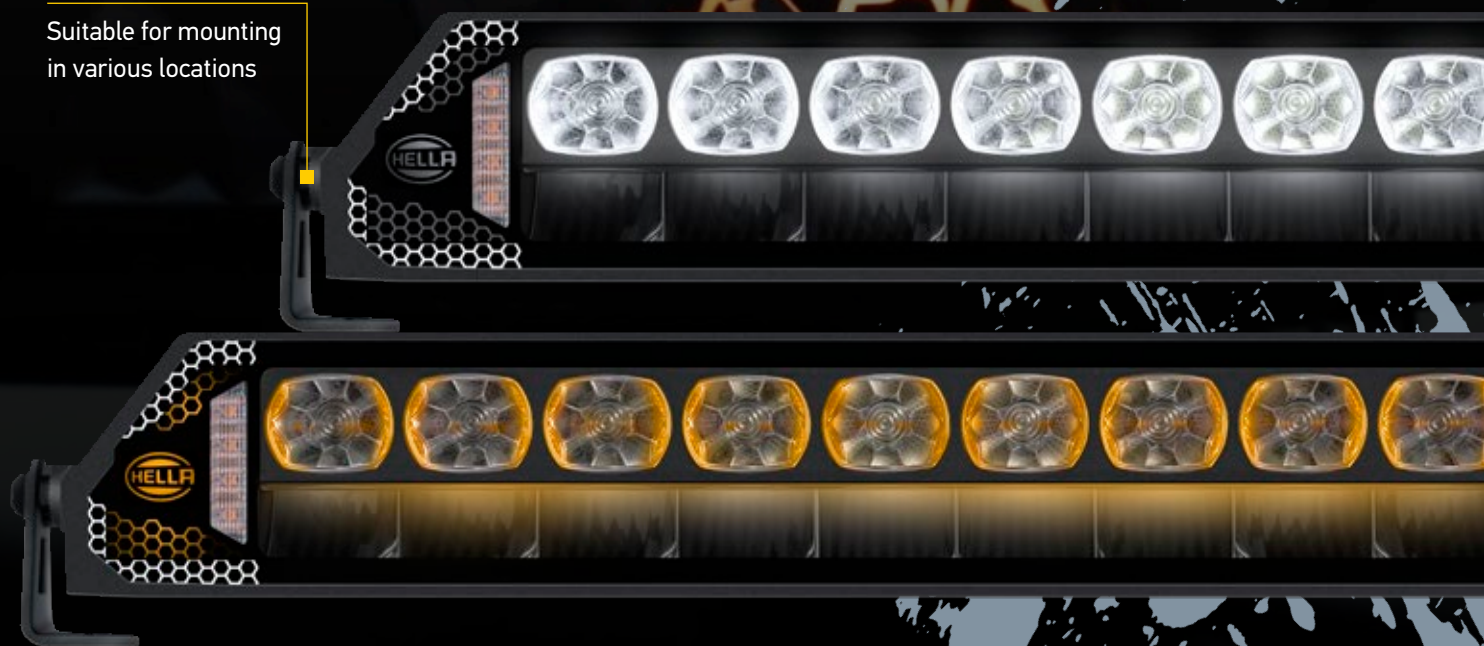
Maximum flexibility in the design of your vehicle: the position light is available in white in accordance with ECE R148 for road traffic or in amber for off-road use. The unique light design of this position light is integrated into the reflector, whereby the radiant LED design is accentuated and the vehicle then impressively comes into its own. This is how you will achieve a striking presence on any road or terrain.

The integrated warning lamp, which, depending on the model, has up to 12 different flashing patterns, ramps up visibility and gives vehicles involved in safety-related tasks and also special vehicles that extra helping of protection. It is approved in accordance with ECE R65.





Suitable for mounting
in various locations





DYNARAY



Rated power	33.5 W ⁽³⁾ or 51.5 W ⁽⁴⁾	65.6 W ⁽¹⁾ or 83.6 W ⁽²⁾	108.8 W ⁽³⁾ or 126.8 W ⁽⁴⁾	216.8 W
Light output (calculated)	2,400 lm	4,800 lm	8,000 lm	16,000 lm
Light output (effective)	ECE mode: 1,000 lm ⁽¹⁾ High-boost mode: 1,600 lm ⁽¹⁾ or 1,800 lm ⁽²⁾	ECE mode: 1,300 lm High-boost mode: 3,200 lm	ECE mode: 2,000 lm ⁽¹⁾ High-boost mode: 5,500 lm ⁽¹⁾ or 5,800 lm ⁽²⁾	ECE mode: 4,000 lm High-boost mode: 10,000 lm
Ref. no.	17.5 ⁽¹⁾	37.5	45 ⁽¹⁾	45
Light source	19 LEDs ⁽³⁾ or 25 LEDs ⁽⁴⁾ , with LED position light (white and amber or red), warning flash function (amber)	34 LEDs ⁽¹⁾ or 40 LEDs ⁽²⁾ , with LED position light (white and amber), warning flash function (amber)	54 LEDs ⁽³⁾ or 60 LEDs ⁽⁴⁾ , with LED position light (white and amber or red), warning flash function (amber)	104 LEDs, with LED position light (white and amber)
Material	Housing: anodised aluminium	Housing: anodised aluminium	Housing: anodised aluminium	Housing: anodised aluminium
Approved	ECE R10, position light, white and red: ECE R148, high beam: ECE R149, warning flash function: ECE R65	ECE R10, position light, white: ECE R148, high beam: ECE R149, warning flash function: ECE R65	ECE R10, position light, white and red: ECE R148, high beam: ECE R149, warning flash function: ECE R65	ECE R10, position light, white: ECE R148, high beam: ECE R149
EMV	CISPR 25 Class 5	CISPR 25 Class 5	CISPR 25 Class 5	
Connection	DEUTSCH DT connector with 1,500 mm cable***	DEUTSCH DT connector with 1,500 mm cable***	DEUTSCH DT connector with 1,500 mm cable***	DEUTSCH DT connector with 1,500 mm cable***
Scope of delivery	1 x rear bracket	1 x light bar with 1,500 mm cable (with connection option to the relevant control box), 2 x side brackets, mounting material, 2 x 500 mm cables with open ends		4 x rear brackets
Dimensional sketch	1	2	3	4

High-boost mode	9.6" Slim light bar ⁽¹⁾ Position light, white and amber Spot 1FF 359 100-001⁽³⁾ Spotlight, warning flash function 1FF 359 100-011⁽⁴⁾	14" Slim Lightbar Position light, white and amber Spot 1FJ 359 100-101⁽¹⁾ Spotlight, warning flash function 1FJ 359 100-111⁽²⁾	21" Slim Lightbar ⁽¹⁾ Position light, white and amber Spot 1FJ 359 100-201⁽³⁾ Spotlight, warning flash function 1FJ 359 100-211⁽⁴⁾	37" Slim Lightbar Position light, white and amber Spot 1FJ 359 100-301
-----------------	---	--	---	---

ONLY OFFROAD

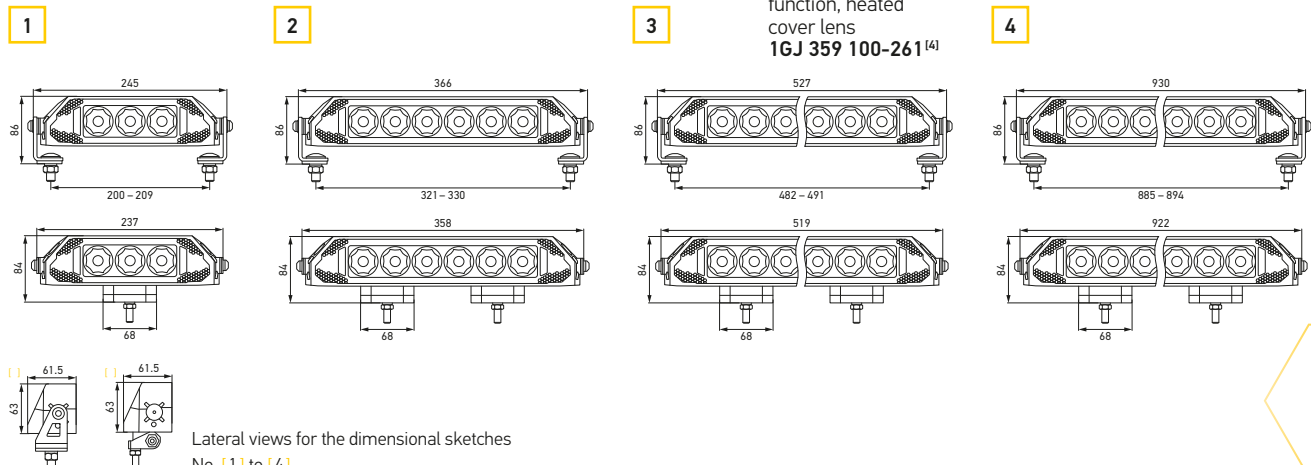
⁽²⁾ Position light, red and amber

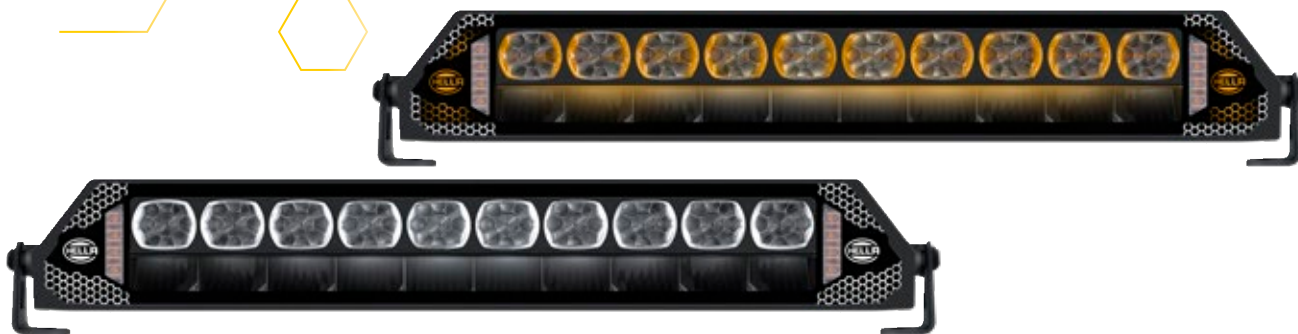
Floodlight, warning flash function
1GF 359 100-021⁽⁴⁾

⁽²⁾ Position light, red and amber

Floodlight, warning flash function
1GJ 359 100-251⁽⁴⁾

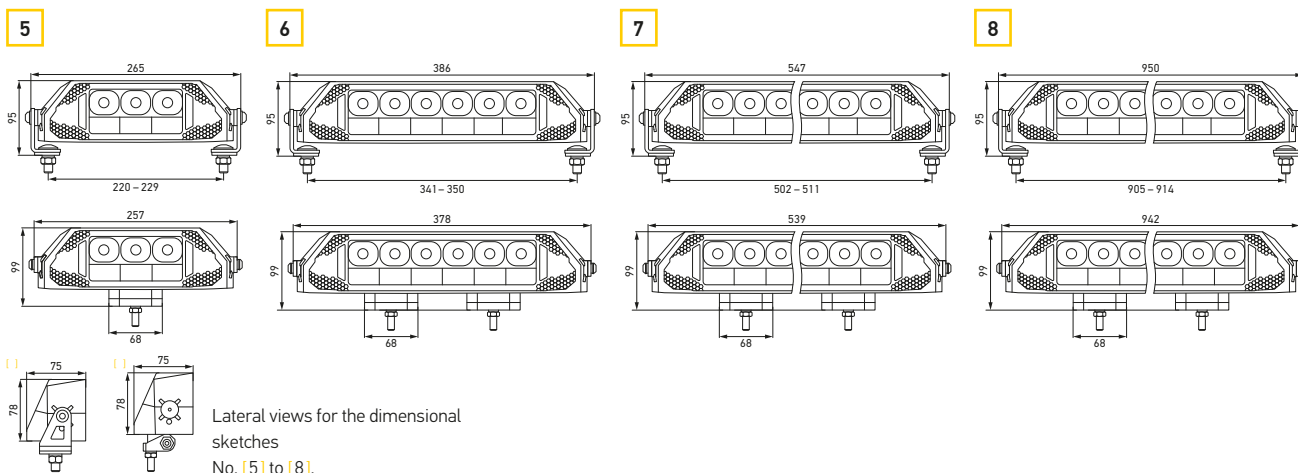
Floodlight, warning flash function, heated cover lens
1GJ 359 100-261⁽⁴⁾





Rated power	45.6 W ⁽¹⁾ or 69.6 W ⁽²⁾	90 W ⁽¹⁾ or 114 W ⁽²⁾	149.3 W ⁽¹⁾ or 173.3 W ⁽²⁾	321.2 W
Light output (calculated)	3,300 lm	6,600 lm	11,000 lm	22,000 lm
Light output (effective)	ECE mode: 670 lm High-boost mode: 2,100 lm	ECE mode: 960 lm High-boost mode: 3,700 lm	ECE mode: 2,000 lm High-boost mode: 5,700 lm	ECE mode: 4,000 lm High-boost mode: 10,000 lm
Ref. no.	30	45	45	45
Light source	19 LEDs ⁽¹⁾ or 27 LEDs ⁽²⁾ , with LED position light (white and amber), warning flash function (amber)	30 LEDs ⁽¹⁾ or 40 LEDs ⁽²⁾ , with LED position light (white and amber), warning flash function (amber)	46 LEDs ⁽¹⁾ or 54 LEDs ⁽²⁾ , with LED position light (white and amber), warning flash function (amber)	94 LEDs, with LED position light (white and amber), warning flash function (amber)
Material	Housing: anodised aluminium	Housing: anodised aluminium	Housing: anodised aluminium	Housing: anodised aluminium
Approved	ECE R10, position light, white: ECE R148, high beam: ECE R149, warning flash function: ECE R65	ECE R10, position light, white: ECE R148, high beam: ECE R149, warning flash function: ECE R65	ECE R10, position light, white: ECE R148, high beam: ECE R149, warning flash function: ECE R65	ECE R10, position light, white: ECE R148, high beam: ECE R149, warning flash function: ECE R65
EMV	CISPR 25 Class 5	CISPR 25 Class 5	CISPR 25 Class 5	CISPR 25 Class 3
Connection	DEUTSCH DT connector with 1,500 mm cable ^{***}	DEUTSCH DT connector with 1,500 mm cable ^{***}	DEUTSCH DT connector with 1,500 mm cable ^{***}	DEUTSCH DT connector with 1,500 mm cable ^{***}
Scope of delivery	1 x light bar with 1,500 mm cable (with connection option to the relevant control box), 2 x side brackets, mounting material, 2 x 500 mm cables with open ends			
Dimensional sketch	1 x rear brackets 5	2 x rear brackets 6	2 x rear brackets 7	4 x rear brackets 8

High-boost mode	10" Double Row Lightbar Position light, white and amber Spot 1FF 359 100-031⁽¹⁾ Spotlight, warning flash function 1FF 359 100-041⁽²⁾	15" Double Row Lightbar Position light, white and amber Spot 1FJ 359 100-121⁽¹⁾ Spotlight, warning flash function 1FJ 359 100-131⁽²⁾ Spotlight, warning flash function, heated cover lens 1FJ 359 100-141⁽²⁾	21.5" Double Row light bar Position light, white and amber Spot 1FJ 359 100-221⁽¹⁾ Spotlight, warning flash function 1FJ 359 100-231⁽²⁾ Spotlight, warning flash function, heated cover lens 1FJ 359 100-241⁽²⁾	37.5" Double Row light bar Position light, white and amber Spotlight, warning flash function 1FJ 359 100-311
-----------------	--	--	---	---



The AMBER position light does not have ECE approval: use may be limited to off-road areas away from public roads in accordance with local regulations (see mounting instructions). | Before connecting the hazard warning flash function, please check whether you belong to one of the groups who, in accordance with local legislation, are authorised to use hazard warning flashers in the installed direction.

IDEAS &

INSPIRATIONS





HELLA A/S

Lundsbjerg Industrivej 13
DK-6200 Aabenraa
Tel.: 0045 7330 3600
e-mail: info.dk@hella.com
www.hella.dk

HELLA Automotive South Africa (Pty) Ltd

81 Nurburgring Street, Zone 2 Coega SEZ
Port Elizabeth
South Africa
6001

Sales Telephone: +27 (0) 41 996 5700
Sales Telefax: +27 (0) 41 996 5720
www.hella.co.za
www.facebook.com/hellasouthafrica

© HELLA GmbH & Co. KGaA, Lippstadt
922 999 144 392 J02437/KB/02.26/0.4
Printed in Germany
Subject to technical and price modifications.