

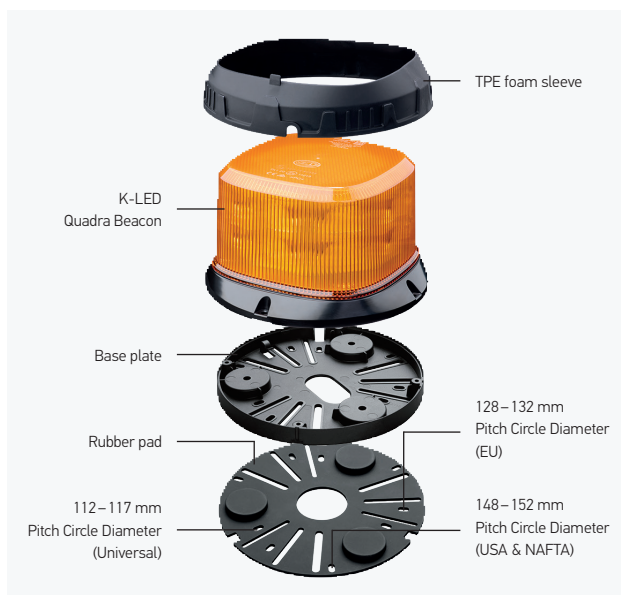


## BRIEF INFORMATION

### K-LED QUADRA Beacon Amber & Dark Lens

- Innovative QUADRA design inspired by the seamless fusion of geometric contours and smoothly radiused corners, creating an aerodynamic appearance.
- Unique shape blends with a traditional amber lens and the addition of HELLA's first dark lens.
- Robust build quality and flexible mounting options make this warning device a compelling choice for customers.

## PRODUCT FEATURES

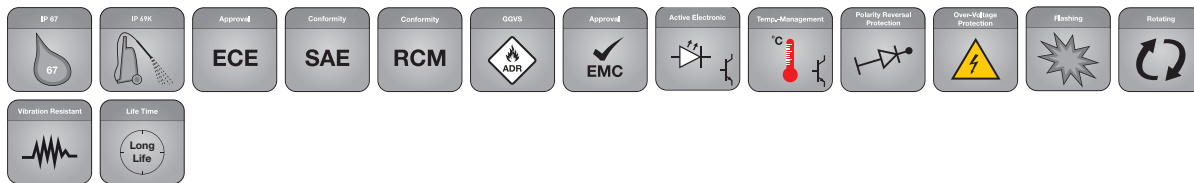


The New HELLA K-LED QUADRA breaks conventional design and sets a new trend in styling, functionality, features and mounting of warning devices.

Designed to meet the demands of today's commercial vehicles, emergency fleets, construction machinery, and agricultural equipment, the beacon blends bold design with robust performance.

The build quality is unparalleled with a vibration resistance of 9.6G enabled by a robust aluminium base for effective heat dissipation coupled with strong polycarbonate lens. The versatile mounting options makes it a unique offering across the world making it a compelling choice for retrofitting, replacing or standardization across fleets.

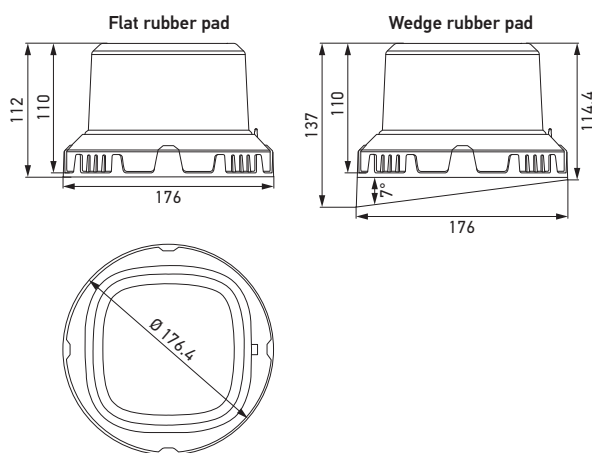
# TECHNICAL DETAILS





## Technical data

Lens Color	<b>Amber</b>	<b>Dark</b>
Operating voltage range	Multi-voltage (10–30 V)	
Rated Voltage	12 V / 24V	
Power consumption	48 W	96 W
Light function	Double Flashing and Rotating	
Light source	LED	
Number of LEDs	16	32
LED colour	Amber	
Material	Base: Aluminium Mounting Base: Polycarbonate Lens: Polycarbonate	
Weight	1,340 g	
Temperature range	-40 to +60 °C	
Protection class	IP 67, IP 69K	
Approved	ECE-R10, ECE-R65 TA2, ADR / GGVSEB, SAE J845 Class 1	
EMC	CISPR 25 Class 5	
Compliant	RCM	
Cable Length	300 mm open ended	
Protection	Polarity reversal protection, overvoltage protection	

## Dimensional sketch



# PROGRAM OVERVIEW

Product picture	Lens colour	Mounting type	Function	Part number	VPE*
	Amber	Fixed surface mounting	Double Flash and Rotating	2XD 357 557-001	1
	Dark			2XD 357 557-011	1

\* Packaging unit (Content of the box: One beacon, one flat base, one wedge base, one nylon fixation base, one TPE foam sleeve, screws)