

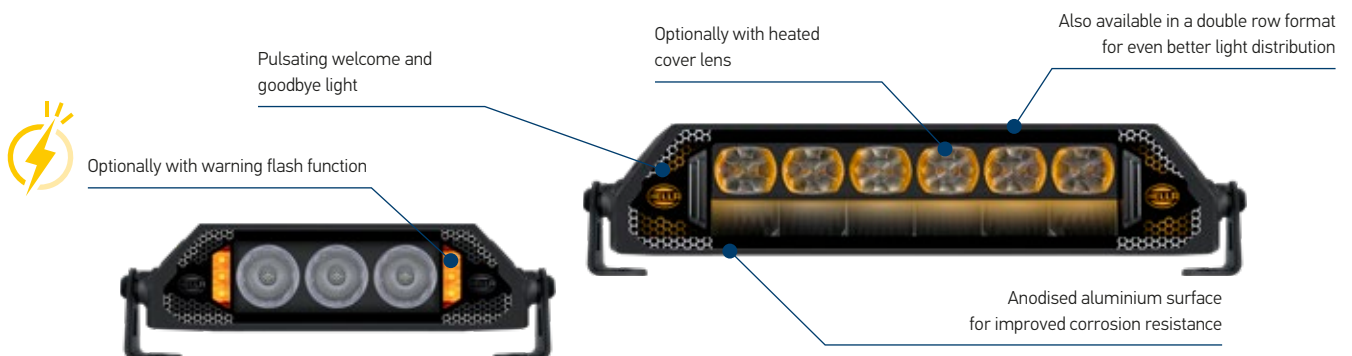


BRIEF INFORMATION

DynaRay – for on and off-road use

- Striking design with precisely positioned light modules for vibrant lighting accents
- High beam headlamp (ECE R149), high-boost mode, position light in white (ECE R148) or amber (off-road)
- Optional warning flash function (in accordance with ECE R65) for more safety
- Pulsating welcome and goodbye light for a stylish welcome every time you start the vehicle
- Robust, anodised aluminium (IP 67 & IP 69K), optional with heated cover lens
- Available as a Slim or Double Row model for maximum light distribution

PRODUCT FEATURES



Brilliantly radiant design and unmistakable look: precisely arranged LEDs create vibrant lighting accents and give the DynaRay a striking appearance – ideal for on and off-road use.

The position light comes in a choice of white (ECE-compliant) and amber (off-road), and is integrated in the reflector for an impressive LED look. Maximum functionality and style that make for a strong presence.



TECHNICAL DETAILS

SLIM LIGHTBAR DYNARAY



Technical data				
Version	9,6" Slim Lightbar DynaRay	14" Slim Lightbar DynaRay	21" Slim Lightbar DynaRay	37" Slim Lightbar DynaRay
Part number	1FF 359 100-001 ⁽¹⁾ 1FF 359 100-011 ⁽²⁾ 1GF 359 100-021 ⁽³⁾	1FJ 359 100-101 ⁽¹⁾ 1FJ 359 100-111 ⁽²⁾	1FJ 359 100-201 ⁽¹⁾ 1FJ 359 100-211 ⁽²⁾ 1GJ 359 100-251 ⁽³⁾ 1GJ 359 100-261 ⁽⁴⁾	1FJ 359 100-301
Operating voltage range	Multi-voltage (10 – 30 V)			
Rated voltage	12 V und 24 V			
Power consumption	33.5 W ⁽¹⁾ or 51.5 W ^(2,3)	65.6 W ⁽¹⁾ or 83.6 W ⁽²⁾	100 W ⁽⁴⁾ , 108.8 W ⁽¹⁾ or 126.8 W ^(2,3)	216.8 W
Light output (effective)				
High beam headlamp				
ECE mode:	1,000 lm ^(1,2)	2,400 lm	3,100 lm ^(1,2)	3,158 lm
High-boost mode:	1,600 lm ^(1,2)	3,500 lm	5,880 lm ^(1,2)	11,346 lm
Off-road				
Floodlight:	1,150 lm ⁽³⁾	–	2,100 lm ^(3,4)	–
High-boost mode:	1,800 lm ⁽³⁾	–	5,800 lm ⁽³⁾ or 5,700 lm ⁽⁴⁾	–
Ref. no.	17.5	37.5	45	45
Light function	High beam headlamp, position light (white and amber or red), high-boost mode, welcome and goodbye light 1GF 359 100-021, 1GJ 359 100-251 + 1GJ 359 100 261 are not approved as high beam headlamps			
Number of LEDs	19 LEDs ⁽¹⁾ or 25 LEDs ^(2,3)	34 LEDs ⁽¹⁾ or 40 LEDs ⁽²⁾	54 LEDs ⁽¹⁾ or 60 LEDs ^(2,3,4)	104 LEDs
Colour temperature	5,800 – 6,800 K			
Material	Housing: anodised aluminium			
Weight	1,170 g	1,590 g	2,160 g	3,590 g
Ambient temperature	– 40 °C to + 65 °C			
Storage temperature	– 40 °C to + 85 °C			
Protection class	IP 67, IP 69K			
Approved	ECE R10, position light, white and red: ECE R148, high beam: ECE R149, warning flash function: ECE R65			
EMC	CISPR 25 Class 5 (warning flash function)			–
Mounting	Mounting bracket for side and rear mounting			
Connection	DEUTSCH DT connector with 1,500 mm cable, plus 2 additional 500 mm cables with open ends			

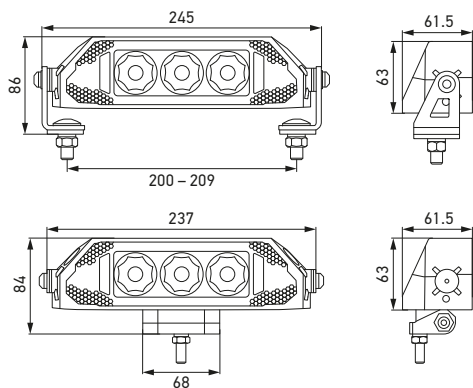
The AMBER position light does not have ECE approval: use may be limited to off-road areas away from public roads and in accordance with local regulations (see mounting instructions). | Before connecting the warning flash function, please check whether you belong to one of the groups who are authorised to use hazard warning flashers in the mounted direction in accordance with local legislation. | The high-boost mode is not authorised for use on public roads.

TECHNICAL DETAILS

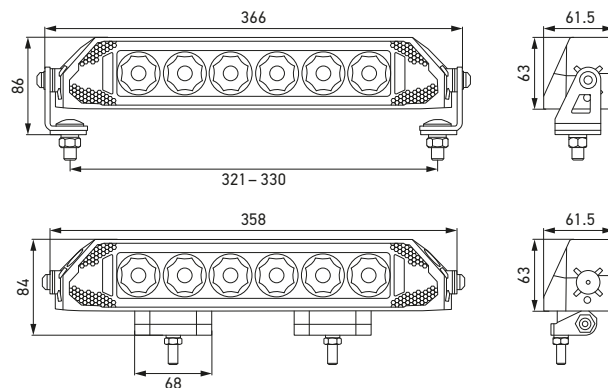
SLIM LIGHTBAR DYNARAY

Dimensional sketch

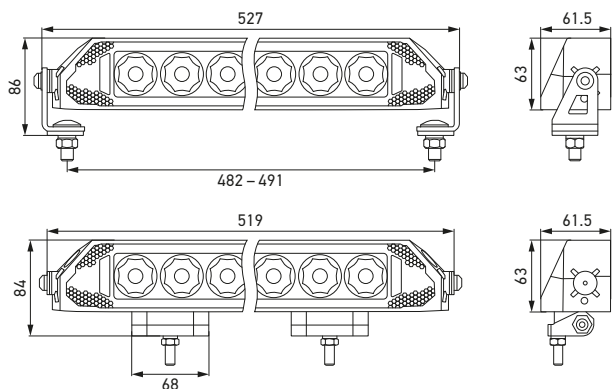
9,6" Slim Lightbar DynaRay



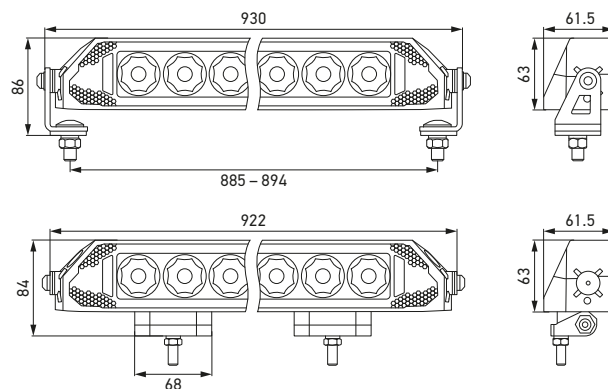
14" Slim Lightbar DynaRay



21" Slim Lightbar DynaRay



37" Slim Lightbar DynaRay



With rear and side fastening bracket

TECHNICAL DETAILS

DOUBLE ROW LIGHTBAR DYNARAY



Technical data				
Version	10" Double Row Lightbar DynaRay	15" Double Row Lightbar DynaRay	21,5" Double Row Lightbar DynaRay	37,5" Double Row Lightbar DynaRay
Part number	1FF 359 100-031 ⁽¹⁾ 1FF 359 100-041 ⁽²⁾	1FJ 359 100-121 ⁽¹⁾ 1FJ 359 100-131 / -141 ⁽²⁾	1FJ 359 100-221 ⁽¹⁾ 1FJ 359 100-231 / -241 ⁽²⁾	1FJ 359 100-311
Operating voltage range	Multi-voltage (10 – 30 V)			
Rated voltage	12 V and 24 V			
Power consumption	45.6 W ⁽¹⁾ or 69.6 W ⁽²⁾	90 W ⁽¹⁾ or 114 W ⁽²⁾	149.3 W ⁽¹⁾ or 173.3 W ⁽²⁾	321.2 W
Light output (effective)				
ECE mode:	1,100 lm	2,110 lm	2,000 lm	2,136 lm
High-boost mode:	2,100 lm	3,850 lm	5,700 lm	11,872 lm
Ref. no.	30	45	45	45
Light function	High beam headlamp, position light (white and amber), high-boost mode, welcome and goodbye light			
Number of LEDs	1FF 359 100-031: 24 LEDs 1FF 359 100-041: 32 LEDs	1FJ 359 100-121: 42 LEDs 1FJ 359 100-131: 50 LEDs 1FJ 359 100-141: 60 LEDs	1FJ 359 100-221: 66 LEDs 1FJ 359 100-231: 74 LEDs 1FJ 359 100-241: 74 LEDs	134 LEDs
Colour temperature	5,800 – 6,800 K			
Material	Housing: anodised aluminium			
Weight	1,474 g	2,045 g	2,810 g	4,150 g
Ambient temperature	- 40 °C to + 65 °C			
Storage temperature	- 40 °C to + 85 °C			
Protection class	IP 67, IP 69K			
Approved	ECE R10, position light, white: ECE R148, high beam: ECE R149, warning flash function: ECE R65			
EMC	CISPR 25 Class 5 (warning flash function)			CISPR 25 Class 3 (warning flash function)
Mounting	Mounting bracket for side and rear mounting			
Connection	DEUTSCH DT connector with 1,500 mm cable, plus 2 additional 500 mm cables with open ends			

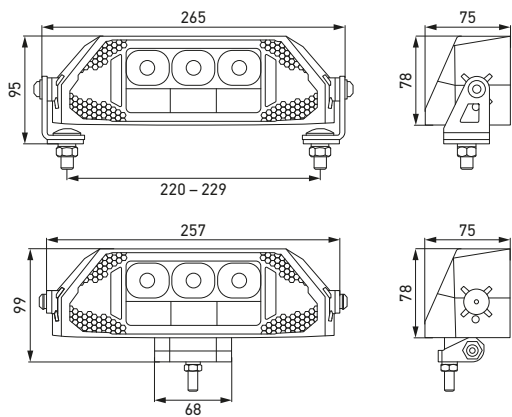
The AMBER position light does not have ECE approval: use may be limited to off-road areas away from public roads and in accordance with local regulations (see mounting instructions). | Before connecting the warning flash function, please check whether you belong to one of the groups who are authorised to use hazard warning flashers in the mounted direction in accordance with local legislation. | The high-boost mode is not authorised for use on public roads.

TECHNICAL DETAILS

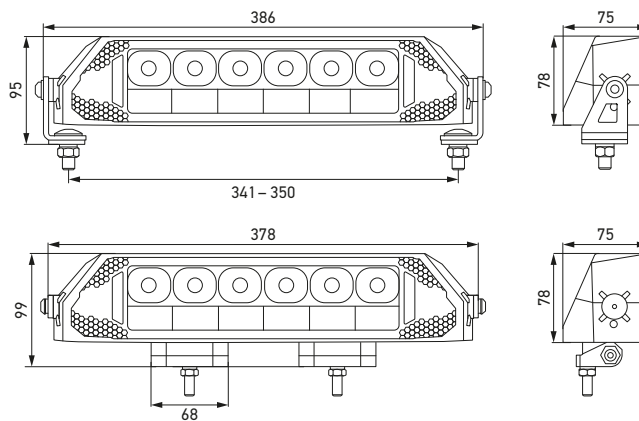
DOUBLE ROW LIGHTBAR DYNARAY

Dimensional sketch

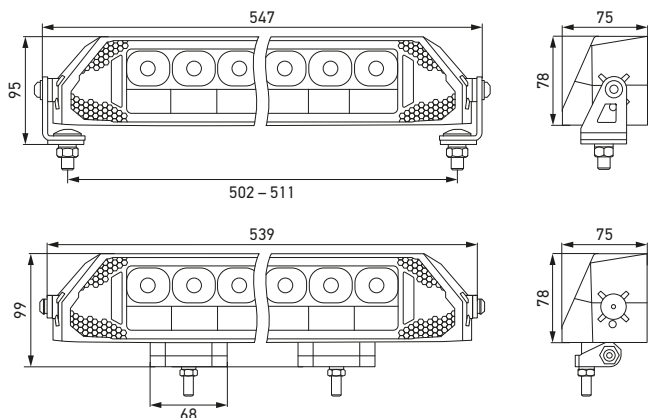
10" Double Row Lightbar DynaRay



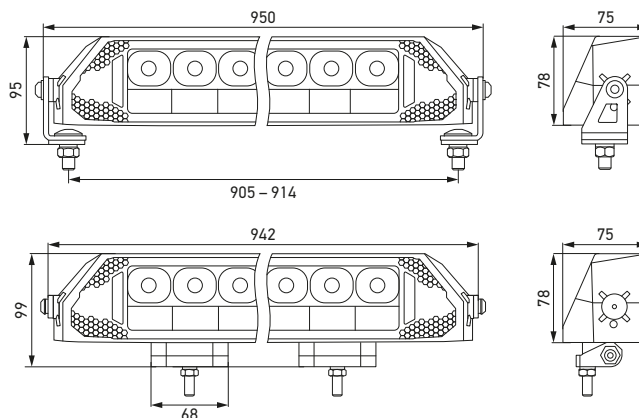
15" Double Row Lightbar DynaRay



21,5" Double Row Lightbar DynaRay



37,5" Double Row Lightbar DynaRay



With rear and side fastening bracket

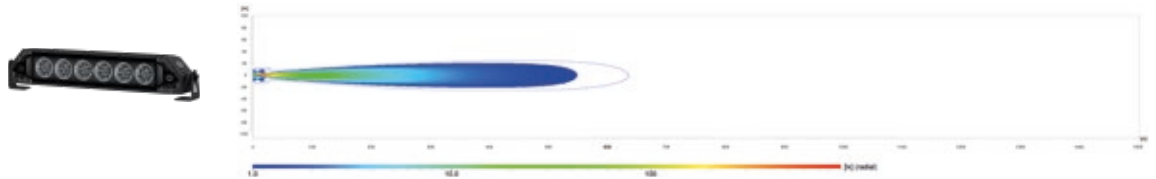
LIGHT DISTRIBUTION SLIM

The light distribution patterns each show 2 lamps in operation. Scale: to 1,500 m.

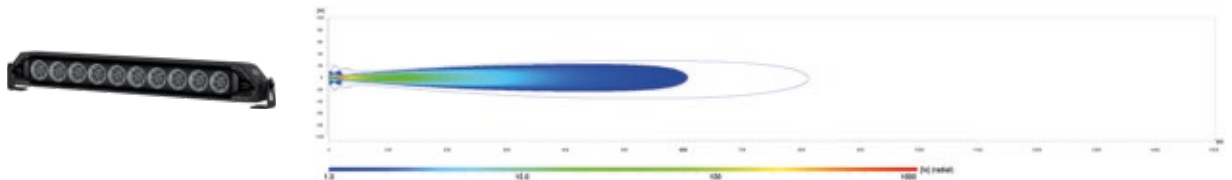
9,6" Slim Lightbar DynaRay | 1FF 359 100-001/-011
Reference number 17.5 | ECE + high-boost mode | spotlight



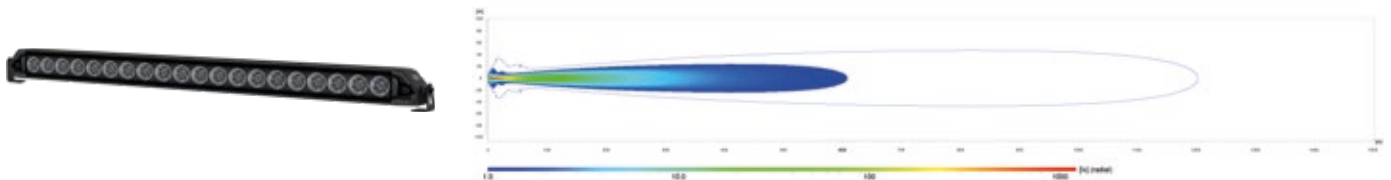
14" Slim Lightbar DynaRay | 1FJ 359 100-101/-111
Reference number 37.5 | ECE + high-boost mode | spotlight



21" Slim Lightbar DynaRay | 1FJ 359 100-201/-211
Reference number 45 | ECE + high-boost mode | spotlight



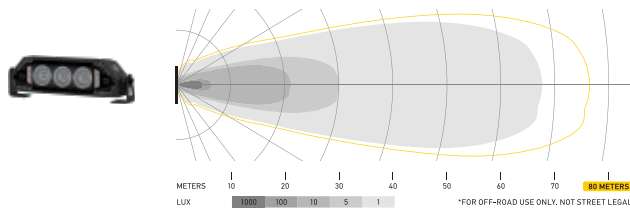
37" Slim Lightbar DynaRay | 1FJ 359 100-301
Reference number 45 | ECE + high-boost mode | spotlight



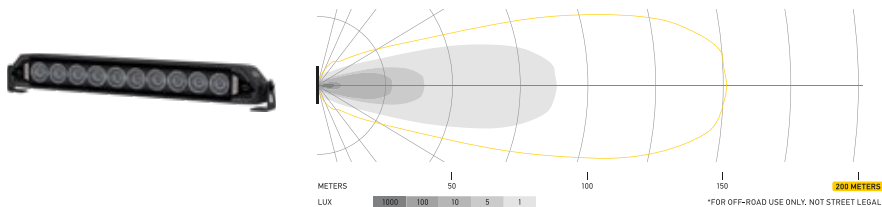
ONLY OFF-ROAD

The light distribution patterns show 1 lamp in operation.

9,6" Slim Lightbar DynaRay | 1GJ 359 100-021
High-boost mode | floodlight



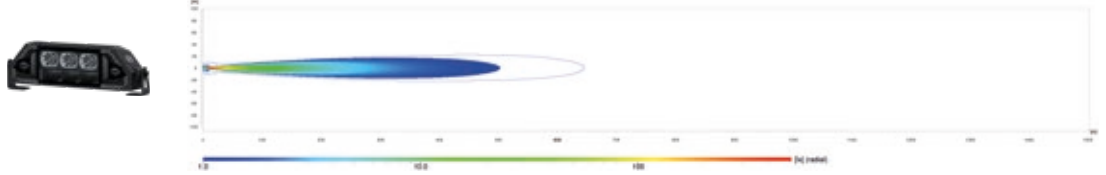
21" Slim Lightbar DynaRay | 1GJ 359 100-251/-261
High-boost mode | floodlight



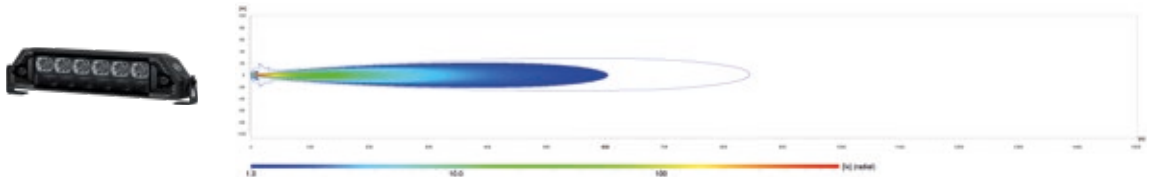
LIGHT DISTRIBUTION DOUBLE ROW

The light distribution patterns each show 2 lamps in operation. Scale: to 1,500 m.

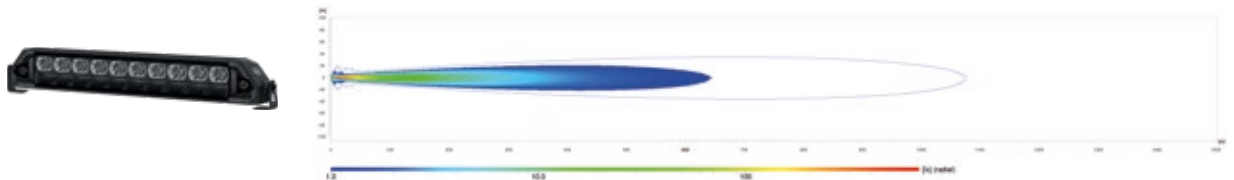
10" Double Row Lightbar DynaRay | 1FF 359 100-031/-041
Reference number 30 | ECE + high-boost mode | spotlight



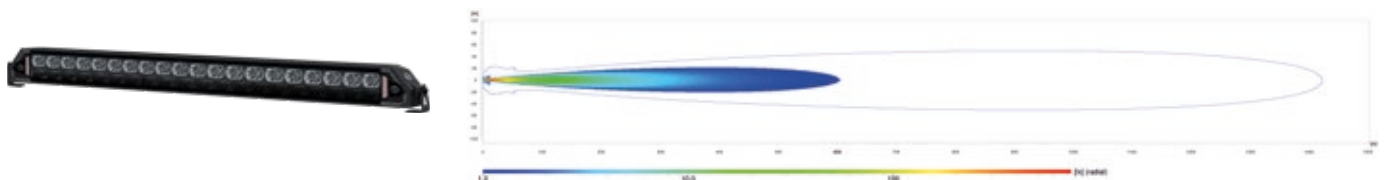
15" Double Row Lightbar DynaRay | 1FJ 359 100-121/-131/-141
Reference number 45 | ECE + high-boost mode | spotlight



21,5" Double Row Lightbar DynaRay | 1FJ 359 100-221/-231/-241
Reference number 45 | ECE + high-boost mode | spotlight



37,5" Double Row Lightbar DynaRay | 1FJ 359 100-311
Reference number 45 | ECE + high-boost mode | spotlight



















APPLICATION EXAMPLES




PROGRAM OVERVIEW

SLIM LIGHTBAR DYNARAY
















Product Image	Description	Light Function	Part Number
	9,6" Slim Lightbar DynaRay	Spotlight, position light white and amber	1FF 359 100-001
 	Contains: 1 x light bar with 1,500 mm cable, 1 x rear bracket, 2 x side brackets, fastening material, 2 x 500 mm cable with open ends	Spotlight, warning flash function, position light white and amber	1FF 359 100-011
 		Floodlight, warning flash function, position light red and amber	1GF 359 100-021 ONLY OFF-ROAD
	14" Slim Lightbar DynaRay	Spotlight, position light white and amber	1FJ 359 100-101
 	Contains: 1 x light bar with 1,500 mm cable, 2 x rear brackets, 2 x side brackets, fastening material, 2 x 500 mm cable with open ends	Spotlight, warning flash function, position light white and amber	1FJ 359 100-111
		Spotlight, position light white and amber	1FJ 359 100-201
 	21" Slim Lightbar DynaRay	Spotlight, warning flash function, position light white and amber	1FJ 359 100-211
 	Contains: 1 x light bar with 1,500 mm cable, 2 x rear brackets, 2 x side brackets, fastening material, 2 x 500 mm cable with open ends	Floodlight, warning flash function, position light red and amber	1GJ 359 100-251 ONLY OFF-ROAD
 		Floodlight, warning flash function, heated cover lens, position light red and amber	1GJ 359 100-261 ONLY OFF-ROAD
	37" Slim Lightbar DynaRay	Spotlight, position light white and amber	1FJ 359 100-301
	Contains: 1 x light bar with 1,500 mm cable, 4 x rear brackets, 2 x side brackets, fastening material, 2 x 500 mm cable with open ends		

ACCESSORIES


Product Image	Description	Variant	Part Number
	Slim Cap light bar DynaRay series For Slim light bar DynaRay	9.6"	8XS 359 100-901
		14"	8XS 359 100-921
		21"	8XS 359 100-941
		37"	8XS 359 100-961

PROGRAM OVERVIEW

DOUBLE ROW LIGHTBAR DYNARAY

Product Image	Description	Light Function	Part Number
	10" Double Row Lightbar DynaRay Contains: 1 x light bar with 1,500 mm cable, 1 x rear bracket, 2 x side brackets, fastening material, 2 x 500 mm cable with open ends	Spotlight, position light white and amber	1FF 359 100-031
 	10" Double Row Lightbar DynaRay Contains: 1 x light bar with 1,500 mm cable, 1 x rear bracket, 2 x side brackets, fastening material, 2 x 500 mm cable with open ends	Spotlight, warning flash function, position light white and amber	1FF 359 100-041
	15" Double Row Lightbar DynaRay Contains: 1 x light bar with 1,500 mm cable, 2 x rear brackets, 2 x side brackets, fastening material, 2 x 500 mm cable with open ends	Spotlight, position light white and amber	1FJ 359 100-121
 	15" Double Row Lightbar DynaRay Contains: 1 x light bar with 1,500 mm cable, 2 x rear brackets, 2 x side brackets, fastening material, 2 x 500 mm cable with open ends	Spotlight, warning flash function, position light white and amber	1FJ 359 100-131
 	15" Double Row Lightbar DynaRay Contains: 1 x light bar with 1,500 mm cable, 2 x rear brackets, 2 x side brackets, fastening material, 2 x 500 mm cable with open ends	Spotlight, warning flash function, heated cover lens, position light white and amber	1FJ 359 100-141
	21,5" Double Row Lightbar DynaRay Contains: 1 x light bar with 1,500 mm cable, 2 x rear brackets, 2 x side brackets, fastening material, 2 x 500 mm cable with open ends	Spotlight, position light white and amber	1FJ 359 100-221
 	21,5" Double Row Lightbar DynaRay Contains: 1 x light bar with 1,500 mm cable, 2 x rear brackets, 2 x side brackets, fastening material, 2 x 500 mm cable with open ends	Spotlight, warning flash function, position light white and amber	1FJ 359 100-231
 	21,5" Double Row Lightbar DynaRay Contains: 1 x light bar with 1,500 mm cable, 2 x rear brackets, 2 x side brackets, fastening material, 2 x 500 mm cable with open ends	Spotlight, warning flash function, heated cover lens, position light white and amber	1FJ 359 100-241
 	37,5" Double Row Lightbar DynaRay Contains: 1 x light bar with 1,500 mm cable, 4 x rear brackets, 2 x side brackets, fastening material, 2 x 500 mm cable with open ends	Spotlight, warning flash function, position light white and amber	1FJ 359 100-311

ACCESSORIES

Product Image	Description	Variant	Part Number
	Double Row Cap light bar DynaRay series For Double Row light bar DynaRay	10"	8XS 359 100-911
		15"	8XS 359 100-931
		21.5"	8XS 359 100-951
		37.5"	8XS 359 100-971

LIGHT FUNCTIONS

For road traffic (ECE R149, ECE R148 and ECE R65)



High beam headlamp with spotlight



High beam headlamp with floodlight



Position light (white)



Warning flash function

Off-road only



Position light (amber)



Position light (red)

Experience the light functions of all kinds of different product variants direct in the functions video.

9,6" Slim Lightbar
DynaRay



1GF 359 100-021

14" Slim Lightbar DynaRay



1FJ 359 100-101



1FJ 359 100-111



15" Double Row Lightbar DynaRay



1FJ 359 100-121



1FJ 359 100-131

