



BRIEF INFORMATION

HypaLUME 110/230 V AC Amber LED Flood Light – Heavy Duty

PRODUCT FEATURES

The Amber 110/230 V AC HypaLUME has been designed for applications where high output lighting in extreme environments is required. Using light with a warmer colour temperature can provide additional improvements in visibility for areas of high dust, fog and/or snowy conditions. The work lamp produces a net output of 19,000 lumens (extra wide: 15,500 lumens) at a voltage input range of 100–240 V AC whilst only consuming 300 W.

Comprehensive sealing and anti-corrosion measures have been taken to ensure this lamp withstands the toughest conditions. The premium aluminium housing is corrosion resistant with a non-stick and easy to clean surface coating. Heavy duty polycarbonate lens offers unbeatable toughness against impacts and vibration. The LEDs have a colour temperature of 2500 K to produce significantly reduced glare compared to traditional white flood lighting.



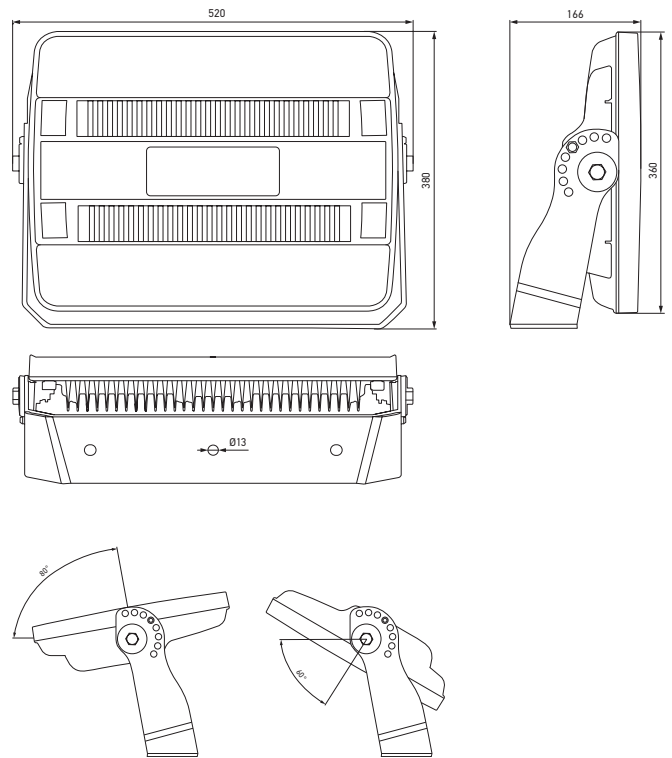
The LED driver electronics ensure light output remains stable over a wide range of voltage variations. The HypaLUME is also protected from over voltage and short circuit faults. The HypaLUME is designed to operate over a temperature range from -40 °C to +50 °C.

TECHNICAL DETAILS

Technical data

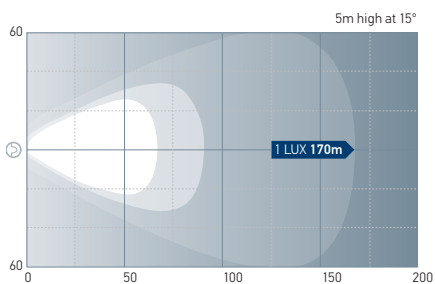
Operating voltage range	Multi-voltage (100–240 V)
Rated voltage	110 V and 230 V
Power consumption	Max. 300 W
Light output (warm)	19,000 lm Extra wide: 15,500 lm
Colour Temperature	2,500 K
Material	Lens: Polycarbonate Bracket: stainless steel
Temperature range	-40 °C to +50 °C
Protection class	IP 66, IP 67
Compliant	IEC 60598, EN 55015
Protection	Overvoltage protection (up to 305 V for 30 sec), short circuit and over temperature protection
Mounting	Heavy duty, Upright or pendant
Connection	Wieland RST Mini – 16 A, supplied with 2.0 m of easy plug-in sheathed cable
Manufactured in	New Zealand

Dimensional sketch

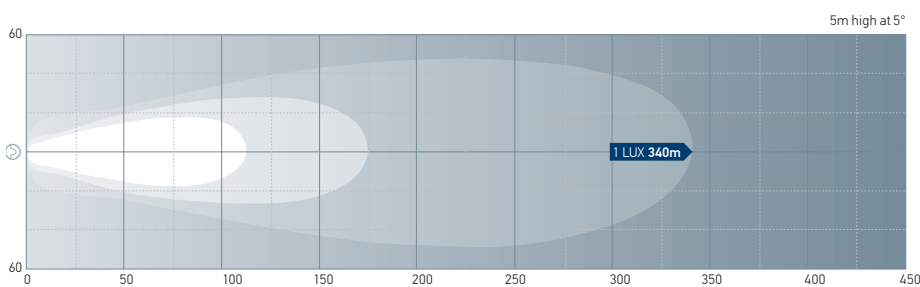


Lamp can be rotated 140°

LIGHT DISTRIBUTION





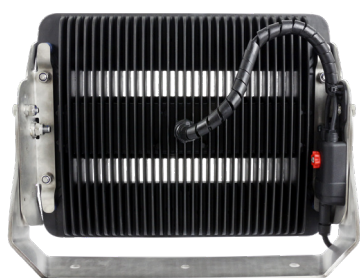
Close range



Long range

PROGRAM OVERVIEW

Product picture	Description	Part number
	Close range	1GJ 958 334-111
	Long range	1GJ 958 334-121



Rear view



Supplied with 2.0m of easy plug-in sheathed cable



Side view



Secure locking mechanism