

RANGE OVERVIEW

Matrix five-function LED series 2VP 345 900



Article number 2VP 345 900	Triangular reflex reflector	Rectangular reflex reflector	Horizontal mounting position	Vertical mounting position	Fixing screws inserted from the front	Fixing bolts inserted from the rear	Cable, 500 mm with open ends	Cable, 3,000 mm with 6.3 mm flat receptacles	Cable, 1,000 mm with 7-pole Easy-Conn plug	Cable, 1,000 mm with 7-pole DIN-AMP bayonet connector	Left-hand variant	Right-hand variant	With pulse	Without pulse	Trade packaging, 1 piece
----------------------------	-----------------------------	------------------------------	------------------------------	----------------------------	---------------------------------------	-------------------------------------	------------------------------	--	--	---	-------------------	--------------------	------------	---------------	--------------------------

24V Trailer																
-011 ^{1), 3)}	X	-	X	-	-	X	-	-	X	-	X	-	X	-	X	
-021 ^{1), 3)}	X	-	X	-	-	X	-	-	X	-	-	X	X	-	X	
-091 ^{1), 3)}	X	-	X	-	-	X	-	-	-	X	X	-	X	-	X	
-101 ^{1), 3)}	X	-	X	-	-	X	-	-	-	X	-	X	X	-	X	
-131 ^{1), 3)}	X	-	X	-	-	X	-	X	-	-	X	-	X	-	X	
-141 ^{1), 3)}	X	-	X	-	-	X	-	X	-	-	-	X	X	-	X	

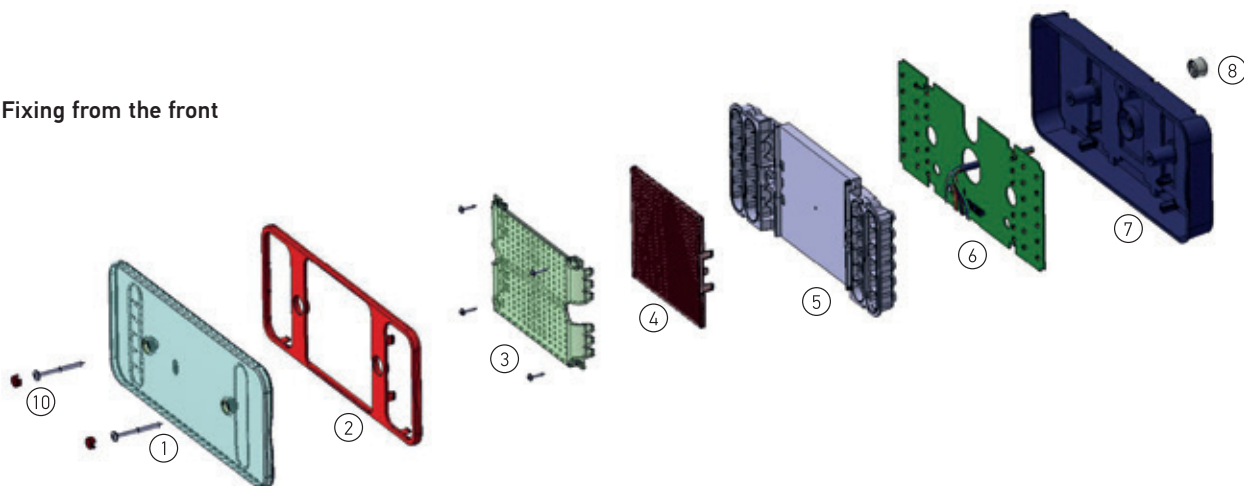
24V Towing vehicles																
-201 ^{1), 3)}	-	X	X	X	X	-	X	-	-	-	X	X	X	-	X	
-211 ¹⁾	-	X	X	X	X	-	X	-	-	-	X	X	-	X	X	
-221 ^{1), 3)}	-	X	X	X	-	X	X	-	-	-	X	X	X	-	X	
-231 ¹⁾	-	X	X	X	-	X	X	-	-	-	X	X	-	X	X	
-241 ^{1), 3)}	-	X	X	X	X	-	-	X	-	-	X	X	X	-	X	
-251 ¹⁾	-	X	X	X	X	-	-	X	-	-	X	X	-	X	X	
-261 ^{1), 3)}	-	X	X	X	-	X	-	X	-	-	X	X	X	-	X	
-271 ¹⁾	-	X	X	X	-	X	-	X	-	-	X	X	-	X	X	

12V Trailer																
-331 ²⁾	X	-	X	-	-	X	X	-	-	-	X	-	-	X	X	
-341 ²⁾	X	-	X	-	-	X	X	-	-	-	-	X	-	X	X	

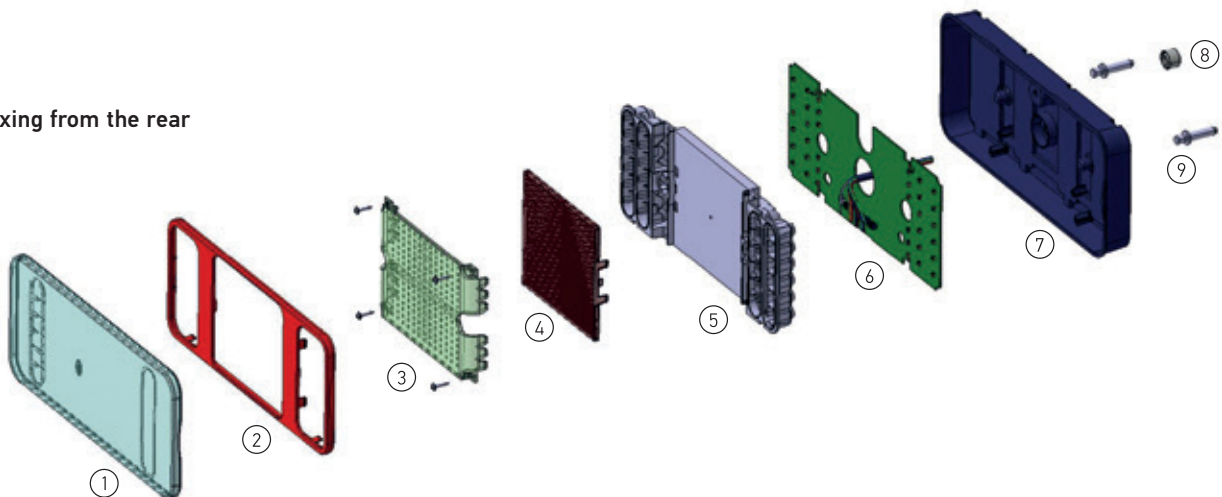
12V Towing vehicles																
-401 ^{2), 3)}	-	X	X	X	X	-	X	-	-	-	X	X	X	-	X	
-411 ²⁾	-	X	X	X	X	-	X	-	-	-	X	X	-	X	X	
-421 ^{2), 3)}	-	X	X	X	-	X	X	-	-	-	X	X	X	-	X	
-431 ²⁾	-	X	X	X	-	X	X	-	-	-	X	X	-	X	X	
-441 ^{2), 3)}	-	X	X	X	X	-	-	X	-	-	X	X	X	-	X	
-451 ²⁾	-	X	X	X	X	-	-	X	-	-	X	X	-	X	X	
-461 ^{2), 3)}	-	X	X	X	-	X	-	X	-	-	X	X	X	-	X	
-471 ²⁾	-	X	X	X	-	X	-	X	-	-	X	X	-	X	X	

BUILD-UP OF LIGHT

Fixing from the front



Fixing from the rear



- | | |
|--------------------------|-------------------------|
| ① Lens | ⑥ Printed circuit board |
| ② Frame (standard black) | ⑦ Shell |
| ③ Light curtain | ⑧ Ventilation element |
| ④ Reflex reflector | ⑨ Fixing bolts |
| ⑤ Reflector | ⑩ Fixing screws |



BRIEF INFORMATION

"COLUNA" full LED combination rear lamp 2VP 345 900-...

With 5 light functions for 12 V and 24 V towing vehicles and trailers

- Innovative and patent-registered flat LED light guides for tail lamp function, combined with reflex reflector
- Variants with rectangular reflex reflector = can be used horizontally and vertically / Variants with triangular reflex reflector = horizontal only
- Long design life, low life cycle costs as well as extremely robust
- Maintenance-free, fully sealed LED light
- Impact-resistant lens
- Fixing from the front (2 screws) or fixing from the rear with 2 x M8 fixing bolts

PRODUCT FEATURES

All light functions of the full LED combination rear lamp (tail light, stop light, direction indicator, rear fog lamp and back-up lamp) exclusively feature LED technology. The tail light is produced by a ground-breaking patent-registered flat LED light guide in combination with the reflex reflector. And this light guide succeeds in producing illumination which is especially homogeneous. As a result, the tail light function, with its large surface area of around 145 cm², is exceptionally visible in the dark and thus enhances road safety.

12 V and 24 V variants of this extremely flat surface-mounted full LED light are available for towing vehicles and trailers. A range of different applications on the vehicle are possible using EasyConn or AMP connectors and the front or rear fixing options.

ADDITIONAL PRODUCT FEATURES

LEDs for optimum signal pattern

The light combines high grade LEDs with precision optics to maximize light yield. The tail lamp is implemented as light curtain with 12 LEDs, and the stop, direction indicator, rear fog and back-up light respectively are implemented with 6 further LEDs.

Protection class

Tested to IP 6K9K, this light is protected from dust and water ingress under constant immersion. This means they are also able to withstand high-pressure cleaning.

Overvoltage protection

Overvoltage protection ensures that the lamp is also not damaged by voltage peaks according to ISO 7637.

High resistance to vibration

Tested in accordance with Hella standard 67101 class 7.2, can also be used near heavy construction machinery.

Reverse-polarity protected

If the contact to the pole is faulty, no damage will occur.

LED LIGHTING TECHNOLOGY

As a leading innovator in the field of automotive original equipment, HELLA sets standards:

Extremely low energy consumption

With the combination of efficient light-emitting diodes (LEDs) and precision optics, HELLA lights achieve the statutory light distribution with up to 84.6% less power consumption compared to bulbs!

No light source replacement, no servicing and extremely long service life

As automotive (AECQ) quality LEDs are used in combination with optimum thermal management, the LEDs do not overheat. This thermal management maximizes the service life – even in adverse operating conditions.

Direction indicator failure check

The direction indicator function is monitored by the electronics. It produces a current pulse to ISO 13207-1 (24 V vehicle) for the direction indicator input at a defined point in time. With each direction indicator pulse, the upstream flasher relay in the vehicle electric system requests the pulse after 100 ms – for at least 20 ms. If components or LEDs of the direction indicator function are defective, this is detected by the electronics: No pulse is sent. Therefore, the driver is definitely informed of the indicator failure. This is important for the legally prescribed direction indicator failure detection (in accordance with ECE regulation). The following ballasts are suitable for almost any application: 5DS 009 552-... / 5DS 009 602-... / 4DW 009 492-...

The following variants are available for 24 V trailers on request:

- Cable, 2000 mm with 7-pole Easy-Conn plug
- without pulse
- in trade or industrial packaging

The following variants are available for 12 V trailers on request:

- with pulse

Other frame colors available on request:



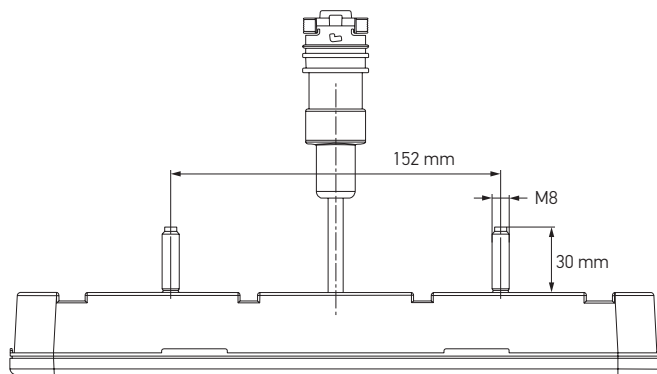
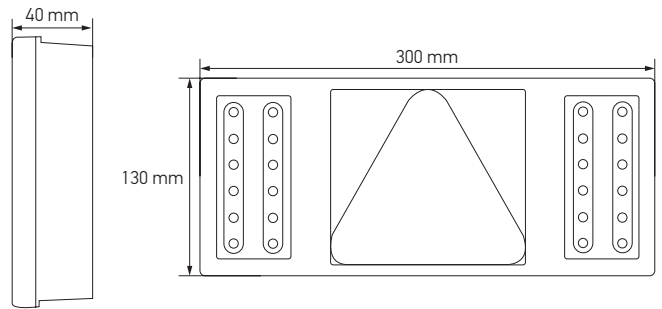
TECHNICAL DETAILS

Technical Data

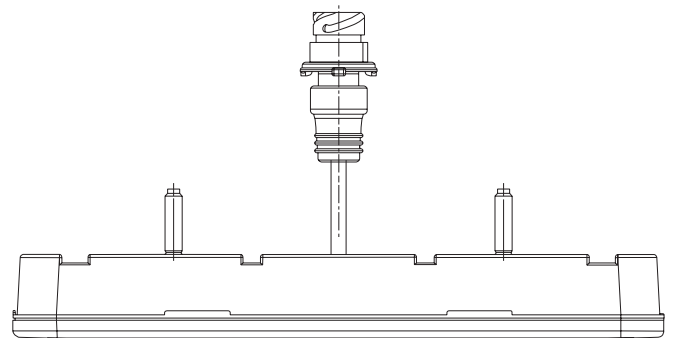
Type approval	ECE / ADR / EMC E2 5879 and 5880 / E2 10R 04 0071
Functions	<ol style="list-style-type: none"> 1. Tail lamp with 12 red LEDs 2. Stop light with 6 red LEDs 3. Direction indicator with 6 amber LEDs 4. Rear fog light with 6 red LEDs 5. Back-up light with 6 white LEDs 6. Rectangular reflex reflector or triangular reflex reflector
Dimensions	300 x 130 x 40 mm
Distance between centers of fixing screws	152 mm
Specification	HELLA standard 67101 class 7.2 Agro Plus
Protection class	IP 6K9K
Contacting	Cable group with open ends Cable with 7-pole EasyConn connector Cable with 7-pole DIN-AMP connector
Mounting position of variants with triangular reflex reflector	Horizontal only
Mounting position of variants with rectangular reflex reflector	Horizontal and vertical
Fixing from the front	With screws through the lenses (included in scope of delivery)
Fixing from the rear	With fixing bolts from the rear (included in scope of delivery)

Current consumption	with 12 V	with 24 V
Tail lamp	2.6 W - 0.2 A	2.8 W - 0.12 A
Stop light	1.8 W - 0.15 A	2 W - 0.08 A
Indicator	3.3 W - 0.28 A	3.8 W - 0.16 A
Rear fog light	2.2 W - 0.18 A	2.4 W - 0.1 A
Reversing light	3.8 W - 0.32 A	5.6 W - 0.23 A

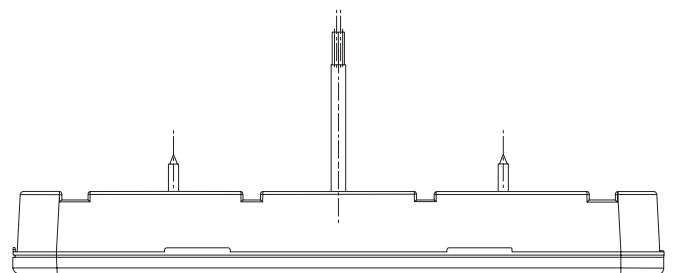
Dimensional sketch



Mounting on vehicle with fixing screws from the rear, cable with EC connector



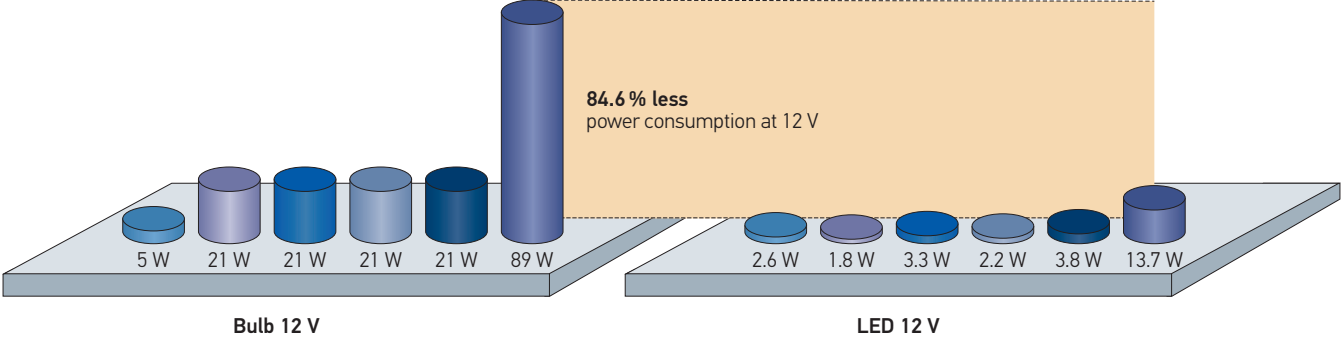
Fixing to vehicle with 7-pole DIN connector



Mounting on vehicle with fixing screws from the front, cable with open ends

Note: The individual functions of the light must only be operated with a 3A fuse. Operation of the light with AC voltage or synchronized DC voltage is not permitted.

PERFORMANCE COMPARISON OF BULB AND LED LIGHT



- Tail lamp
- Stop light
- Indicator
- Rear fog light
- Reversing light
- Total

