



## BRIEF INFORMATION

### LED licence plate module with rear fog light 340 980

- › Licence plate lamp and rear fog lamp integrated into one compact central module
- › Potential cost advantages by eliminating the rear fog lamp in the rear combination lamp

## PRODUCT FEATURES

#### **Compact design**

The central module, consisting of licence plate lamp and rear fog lamp, is designed to be centrally positioned at the rear of the vehicle.

#### **Fail-safe, in line with the "Fit & Forget" principle**

LED technology offers maximum reliability and vibration resistance. Therefore, the lamp achieves a very long lifetime.

#### **Sealed, to withstand high-pressure cleaning**

The lamp complies with protection classes IP X9K and IP 6K7. This means that it is dustproof and protected against water penetration during high-pressure/steamjet cleaning and temporary immersion.

#### **Two versions available**

The licence plate module is available with either black or white housing. While the black variant has a rated voltage of 24 volts and is mainly used in the trailer sector, the lamp in the 12 volt model with white housing is specially designed for caravans and motorhomes.

#### **Approved for transport of dangerous goods**

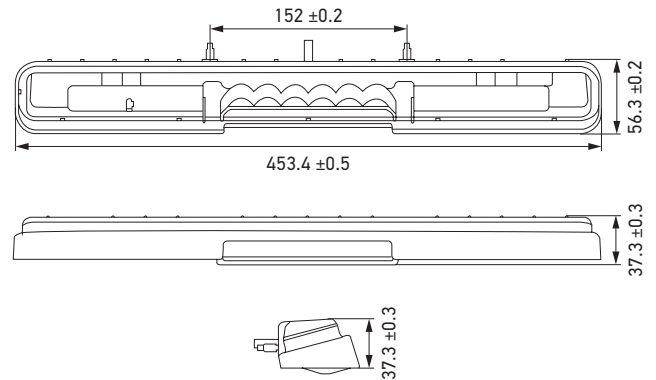
For the black 24 volt version, the lamp is to be ADR-certified in accordance with legal requirements.

# TECHNICAL DETAILS

## Technical data

Operating voltage range	Single-voltage (9–16 V or 18–32 V)
Rated voltage	12 V or 24 V
Current consumption	12 V: 0.04–0.118 A (licence plate lamp) 0.06–0.163 A (rear fog lamp) 24 V: 0.03–0.048 A (licence plate lamp) 0.05–0.095 A (rear fog lamp)
Power consumption	Licence plate lamp: 1.2 W Rear fog lamp: 2.3 W
Light function	Licence plate lamp, rear fog lamp
Light source	LED
Temperature range	-40 °C to +60 °C
Protection class	IP X9K, IP 6K7
Approved	ECE-R10, ECE-R 148 ADR / GGVSEB (24 V version)
Specification	FORVIA HELLA standard HN67101 class 5.1 trailers
Mounting	Screw fixing

## Dimensional sketch



# PROGRAM OVERVIEW

Voltage	Housing colour	Connection	Part number	PU*
12 V	White	AMP-SUPERSEAL 3-pin, 175 mm cable	<b>2NE 340 980-017</b>	7 <sup>1</sup>
24 V	Black	AMP-SUPERSEAL 3-pin, 1,600 mm cable	<b>2NE 340 980-007</b>	7 <sup>1</sup>

\* Packaging unit.

<sup>1</sup> Other packing sizes on request.

# APPLICATION EXAMPLES

