



BRIEF INFORMATION

LED auxiliary stop lamp LongLED 45 & LongLED 64

PRODUCT FEATURES

An attribute for individual design requirements

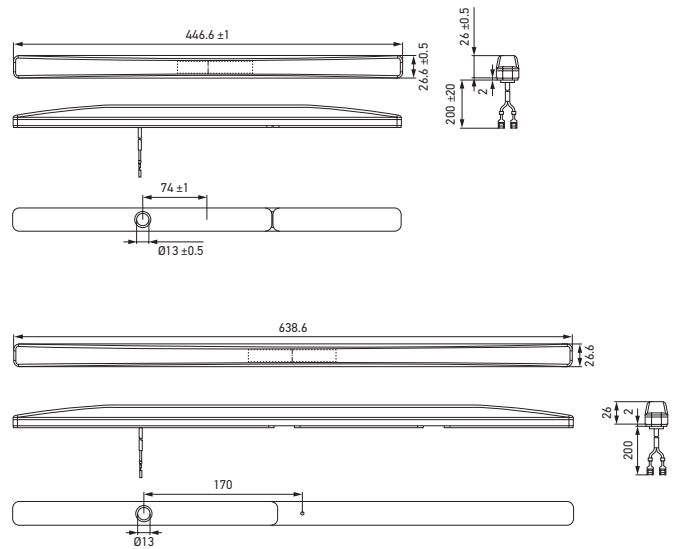
Exciting design and greater road safety – no problem with FORVIA HELLA. Not only does light technology open all avenues to you in terms of innovation – we also provide you with the very latest design trends. The slim design of the new LED auxiliary brake lamp give it impressive appeal. The innovative FORVIA HELLA LED light line, a style-defining design element, gives your vehicle a distinctive presence. It features exceptionally homogenous illumination, which provides exceptionally clear visibility as a brake light.

The innovative, state-of-the-art fiber optic technology conveys the brake signal from the LED-equipped central section to the volume endpoints and produces a distinctive appearance in the rear design. Available in two sizes, one 446 mm version and the super long, 638 mm version, allow you to precisely coordinate the new design concept with your own vehicle.





TECHNICAL INFORMATION

Technical data	
Operating voltage range	Single-voltage (9–16 V or 16–32 V)
Rated voltage	12 V or 24 V
Power consumption	1.7 W (12 V), 2 W (24 V)
Light function	Auxiliary Break Light
Protection class	IP 67
Approved	ECE-R7, CCC
Compliant	SAE
Protection	Polarity reversal protection
Specification	HN 67101 3.1 and 4.1
Connection	6.3 mm receptacles

Dimensional sketch and hole pattern



PROGRAM OVERVIEW

Length	Rated voltage	Connection	Part number	PU
446.6 mm	12 V	 200 mm harness with 6.3 mm receptacles	2DA 012 596-061 2DA 012 596-067	1 piece 80 pieces
446.6 mm	24 V	 with 6.3 mm receptacles	2DA 012 596-077	80 pieces*
638.6 mm	12 V	 200 mm harness with 6.3 mm receptacles	2DA 012 596-041 2DA 012 596-047	1 piece 60 pieces
638.6 mm	24 V	 200 mm harness with 6.3 mm receptacles	2DA 012 596-051 2DA 012 596-057	1 piece 60 pieces

* Other packaging units on request

APPLICATION EXAMPLES

