



BRIEF INFORMATION

RokLUME 280N Gen. 2

- New **ZEROGLARE** reflector
- Improved light patterns and extended illumination variants
- Centred bracket enables different mounting options
- Heavy Duty bracket for high vibration requirements
- Compact size suitable for all mining machinery

PRODUCT FEATURES

Drivers of heavy-duty vehicles depend on strong visual cues to see the fall of ground or to avoid hazards well in advance. Here choosing the correct light is a critical asset for reaction time and safety.

The RokLUME 280N Gen. 2 LED work lamp has a very high light output of up to 4,400 lumen. It gives the perception of daylight, which helps to provide higher productivity by giving drivers enhanced visibility.

The variant **ZEROGLARE** has been designed with a new reflector and optical system which improves its illumination. This means its innovative light system creates a sharp horizontal cut-off line at 0° to control the light onto the ground in front of the vehicle. The cut-off line eliminates the danger caused by glaring light coming into contact with the eyes of oncoming drivers.

The RokLUME 280N Gen. 2 comes in six illumination variations, each work lamp has its specific working environment. The close-range variant has been improved to give more light in the width and the front of the vehicle. The long-range variant has a highly improved light distribution for optimal visibility in the distance. New and innovative is the variant with tunnel flood illumination – this work lamp creates a perfect light pattern for underground heavy-duty vehicles.

The housing of the RokLUME 280N Gen. 2 is made of high quality die-cast aluminium with a corrosion resistant NanoSafe coating. The work lamp can be securely mounted by the heavy-duty bracket in three mounting positions: upright, pendant and rectangular.

Additionally, variants with coloured lenses in green and amber are ideally suited to combat reflective environments such as fog, falling snow or dust-laden air – this makes the RokLUME 280N Gen. 2 an absolute allrounder.

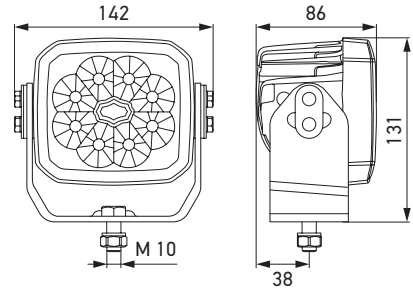
TECHNICAL DETAILS



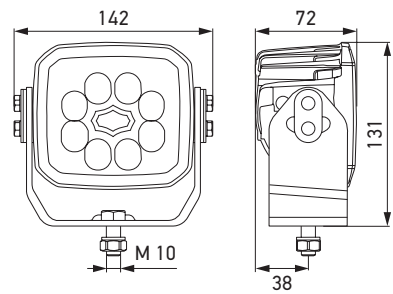
Technical data

| | |
|--------------------|---|
| Operating voltage | Multi-voltage (9 – 32 V) |
| Rated voltage | 12 V / 24 V |
| Power consumption | max. 50 W |
| Light output | up to 4,400 lm |
| Light source | LED |
| Colour temperature | 5,000 K |
| Material | Housing: die-cast aluminium with NanoSafe non-stick / easy to clean surface coating |
| Weight | 1,476 g / 1,376 g (ZEROGLARE) |
| Temperature range | -40 °C to +90 °C (overheat protected) |
| Protection class | IP 6K9K, IP 6K8 |
| Type approval | ECE-R10, UKCA, RCM |
| EMC protection | CISPR 25 |
| Mounting | Upright, pendant and rectangular |
| Connection | DEUTSCH DT 2 pin connector, DEUTSCH DT counterpart included |
| Manufactured in | Austria |

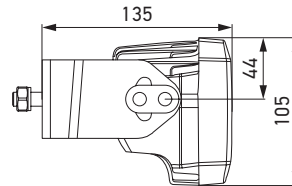
Dimensional sketch



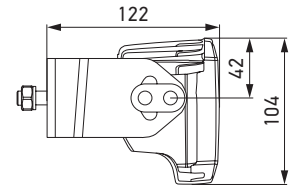
RokLUME 280N Gen. 2



RokLUME 280N Gen. 2 **ZEROGLARE**

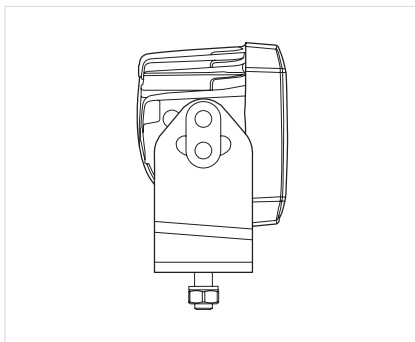


RokLUME 280N Gen. 2 (rectangular mounting)

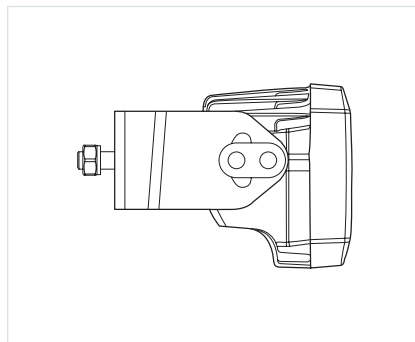


RokLUME 280N Gen. 2 **ZEROGLARE** (rectangular mounting)

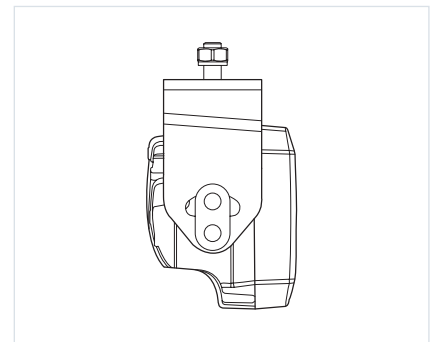
Mounting options



Upright mounting



Rectangular mounting



Pendant mounting

PROGRAM OVERVIEW

| Cover lens colour | Illumination | Part number |
|-------------------|-------------------------------|-----------------|
| Clear | Close-range illumination | 1GA 995 706-501 |
| | Long-range illumination | 1GA 995 706-511 |
| | ZEROGLARE illumination | 1GA 995 706-521 |
| | Pencil beam illumination | 1GA 995 706-531 |
| | Tunnel flood illumination | 1GA 995 706-551 |
| Diffused | Diffuse flood illumination | 1GA 995 706-541 |
| Amber | Close-range illumination | 1GA 995 706-631 |
| | Long-range illumination | 1GA 995 706-641 |
| | ZEROGLARE illumination | 1GA 995 706-651 |
| | Pencil beam illumination | 1GA 995 706-661 |
| Green | Close-range illumination | 1GA 995 706-571 |
| | Long-range illumination | 1GA 995 706-581 |
| | ZEROGLARE illumination | 1GA 995 706-591 |
| | Pencil beam illumination | 1GA 995 706-601 |