



BRIEF INFORMATION

LED fog lamp with cornering light SlimLine

- › Two lighting functions in one module: fog lamp and cornering light
- › Rectangular shape and outstanding slim design
- › Maximum light output despite small dimensions
- › One variant for ECE and FMVSS 108 & left and right side of a vehicle

PRODUCT FEATURES

The LED fog lamp with cornering light SlimLine is an exceptional lighting solution designed for enhanced visibility and safety on the road. With its features, this high-performance lamp is a versatile choice. With one version for ECE and FMVSS 108 as well as for both left and right side of a vehicle, this product is suitable for a wide range of vehicles.

Designed with fog and cornering light functionalities, this rectangular LED lamp offers optimal lighting performance in challenging driving conditions. The fog light feature ensures clear visibility during foggy weather, while the cornering light function illuminates the area around the vehicle for safe turning maneuvers.

With its robust housing and durable lens, the SlimLine fog lamp with cornering light is very robust and resistant against vibrations. This ensures that the lamp can withstand harsh environments and demanding applications. Additionally the lamp can operate effectively in a wide temperature range, from -40 °C to +60 °C and meets high IP-protection standards (IP 5K4K and IP 5K9K).

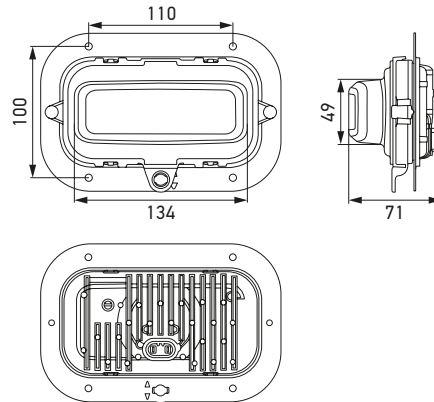
Thanks to the carrier frame, the mounting of this lamp is easy: it can be installed from both the back and front of the lamp.

TECHNICAL DETAILS

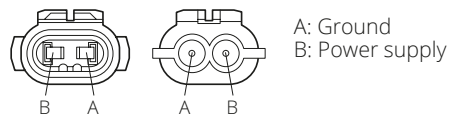
Technical data

Operating voltage range	Multi-voltage (9 – 32 V)
Rated voltage	12 V and 24 V
Power consumption	5 W (13.5 V) and 16 W (28 V)
Light function	Fog light, cornering light
Light source	LED
Material	Housing: Aluminum die-cast Lens: Polycarbonat
Weight	560.5 g
Temperature range	-40 °C to +60 °C
Protection class	IP 5K4K and IP 5K9K
Approved	ECE-R149.01, FMVSS 108, CCC
Compliant	CISPR 25 Class 4
Mounting	With carrier frame (front and back mounting)
Connection	HB3 Connector (counter plugs available in HELLA portfolio)

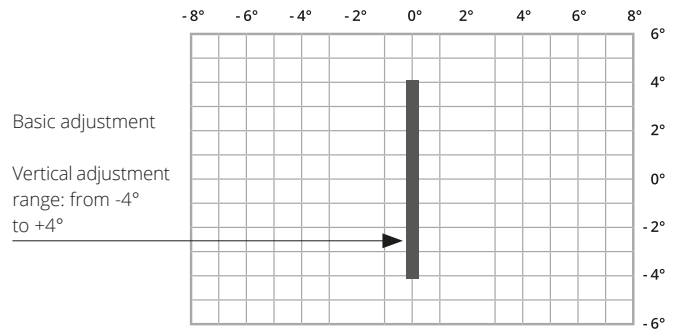
Dimensional sketch



Pin assignment



Adjustment range



PROGRAM OVERVIEW

Product picture	Type of mounting	Connection	Part number
	Screws mounting from the back and front	HB3	1NL 016 340-001*

* Only one variant for ECE and FMVSS 108 as well as for both left and right side of a vehicle.

ACCESSORIES

Product picture	Description	Part number
	Counter connection set, consisting of: locking element HB3 (housing); single wire seal DP 6,7; receptacle 2,8 x 0,8 x 2,0; receptacle housing 2WAY HB3 Receptacle suitable for cable Ø 1.0 – 2.0 mm². All positions included separately in PE-bag.	8JA 990 295-217