



BRIEF INFORMATION

ECO18 LED / ECO26 LED

- › Ideal halogen replacement for an easy conversion
- › Compact size and universal shape
- › Also available as a reversing light

PRODUCT FEATURES

FORVIA HELLA's ECO worklight series lend themselves perfectly as an entry-level model into the world of the FORVIA HELLA premium segment. They meet all relevant specifications and deliver all the advantages of the FORVIA HELLA world. And they make an easy conversion to LED technology possible.

Thanks to its compact size and universal shape, the ECO series can replace virtually all the usual halogen lights in a simple way.

Furthermore, these worklights boast a fantastic lighting performance of 1,350 or 2,000 lumens while only consuming 18 or 26 watts of power.

The worklights can be operated at both 12 V and 24 V. The integrated electronics protect the device in the event of polarity inversion and guarantee constant brightness, even when operating voltage fluctuates between 10.5 and 32 volts. The robust aluminum housing is an excellent and reliable protection for the worklights against all manner of impact and vibration.

At 6,500° Kelvin, the light is very similar to that of daylight. This means that colours can be distinguished more clearly in the dark than in the yellowish light of halogen bulbs. And it also makes sensory perception through the human eyes much easier so that they tire less quickly.

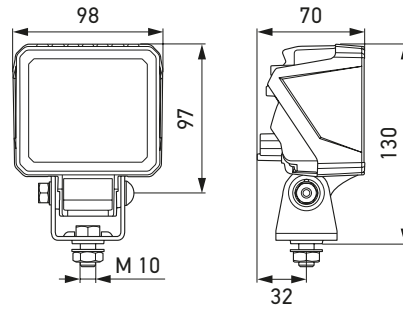
The ECO18 LED worklight is also available as a reversing light.

TECHNICAL DETAILS

Technische Daten

Operating voltage range	Multi-voltage (10,5–32 V)
Rated voltage	12 V and 24 V
Power consumption	ECO18 LED: 18 W ECO26 LED: 26 W
Light output (warm)	ECO18 LED: 1,350 lm ECO26 LED: 2,000 lm
Light source	LED
Colour temperature	Worklight: 6,500 K Reversing Light: 5,000 K
Material	Housing: die-cast aluminium
Weight	675 g
Protection class	IP 6K9K, IP 6K7
Approved	ECE-R10
Protection	Polarity reversal protection, overheating protection
Mounting	Upright or Pendant, bracket width 42 mm, 25° tilt angle

Dimensional sketch

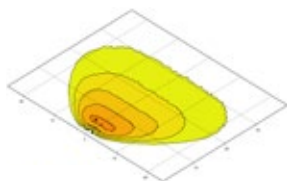


PROGRAM OVERVIEW

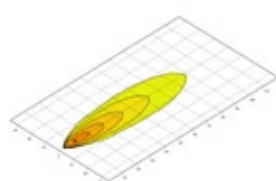
	ECO18 LED 1GA 996 479-...				ECO26 LED 1GA 996 579-...				Reversing Light ECO18 LED 2ZR 996 479-...	
	-001	-011	-021	-031	-001	-011	-021	-031	-501	-511
Close-Range Illumination	X	-	X	-	X	-	X	-	-	-
Long-Range Illumination	-	X	-	X	-	X	-	X	-	-
500 mm Cable	X	X	-	-	X	X	-	-	X	-
DEUTSCH DT connector	-	-	X	X	-	-	X	X	-	X

LIGHT DISTRIBUTION

ECO18 LED

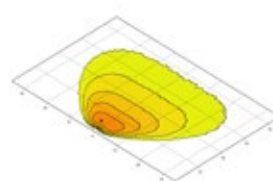


Close-Range Illumination

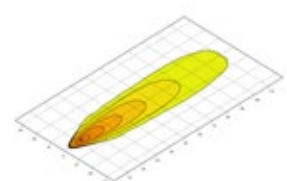


Long-Range Illumination

ECO26 LED



Close-Range Illumination



Long-Range Illumination

