



BRIEF INFORMATION

Module 70 LED Generation 3

- › Innovative LED technology in a compact design
- › 30% more light than with Generation 2 with the same power consumption
- › Modular line

PRODUCT FEATURES

Lighting technology:

Four high-power LEDs provide the source of light for this work light. These LEDs are multi-volt compatible (12 and 24 V). Due to the low power consumption, the generation 3 LED module 70 is ideal for use on battery-operated vehicles or on vehicles whose alternator is already overloaded. The Generation 3 LED module 70 is completely resistant to shock, vibration and voltage fluctuations. This work light is absolutely maintenance-free once it is installed. The integral electronics protect the unit in the event of polarity reversal and guarantee constant brightness even if the operating voltage fluctuates between 9 and 33 V. At 5700 Kelvin, the light emitted from the LED work light is very similar to daylight, making colours easier to distinguish in the darkness than with the yellow light from halogen bulbs. Sensory perception is how the human eye perceives light, and since this light is perceived as being similar to daylight, it prevents rapid eye fatigue.

Design:

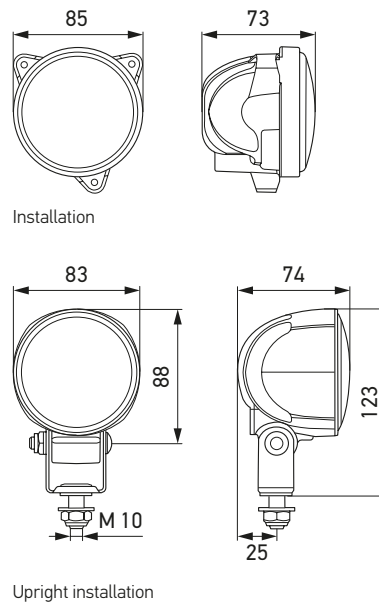
The black housing for this work light is made of aluminium and features cooling fins. They provide the required heat dissipation from the four high-power LEDs. Which is the only way to guarantee long LED service life. Its compact dimensions make the work light suitable for universal use.

TECHNICAL DETAILS

Technical data

Operating voltage range	Multi-voltage (9 – 33 V)
Rated voltage	12 V / 24 V
Power consumption	13 W
Light output (warm)	800 lm
Light source	4 high-power LEDs
Colour temperature	5.700 K
Material	Housing: aluminium, painted black Cover lens: glass
Protection class	IP 6K9K, IP 6K7
Approved	ECE-R10
Protection	Polarity reversal protection, overheating protection
Recommended angle of inclination	10° – 12°

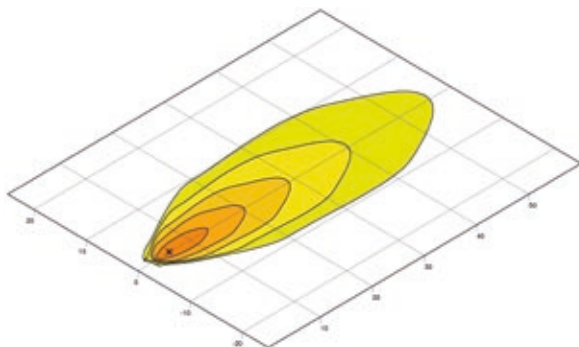
Dimensional sketch



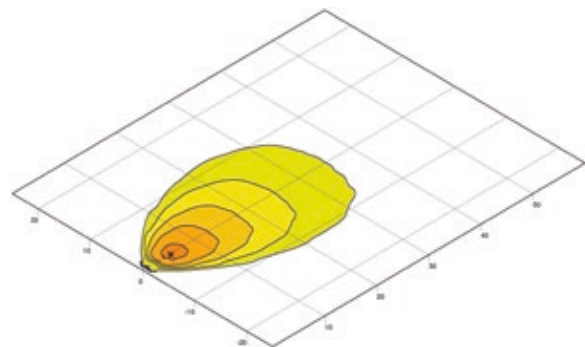
PROGRAM OVERVIEW

1G0 996 276-...	-431	-451	-461	-487
Close-range illumination	x	x	x	-
Extra-wide light distribution illumination	-	-	-	x
Installation	x	-	-	-
Upright installation	-	x	-	x
Suspended installation	-	-	x	-
Swivel base	-	x	x	x
2,000 mm connector cable	x	x	x	-
190 mm connector cable	-	-	-	x
DEUTSCH DT connector	-	-	-	x

LIGHT DISTRIBUTION



Close-range illumination



Extra-wide light distribution illumination

lux > = 0 1 2 4 8 16