



BRIEF INFORMATION

RokLUME 280N SMART



- Intelligent work lamp with smart functions
- Individual light settings for more safety, comfort and productivity
- Use of existing cable harnesses thanks to powerline communication (PLC)
- Easy upgrade for conventional work lamps

PRODUCT FEATURES

The RokLUME 280N SMART increases safety in mining, on construction sites and in forestry. With its individual light settings, the intelligent work lamp allows the colour temperature to be changed from warm to cold white and the light colour to green or amber, depending on the variant. This adjustment of the light colour is extremely important for ensuring the best possible visibility, especially in poor visibility conditions due to dust, snow or fog. In addition, the brightness level can be adjusted to the current light conditions using the dimming function. This can reduce the power consumption and CO₂ emissions .

The work lamp is available in six illumination variants, including **ZEROGLARE** with a new, patent-pending reflector.

The work lamp can be operated easily and quickly by controlling it via the HELLA control panel or the Human Machine Interface (HMI) in the vehicle.

Conventional work lamps can be replaced with the intelligent RokLUME 280N SMART in no time at all. Powerline communication (PLC) enables the control unit (gateway) to communicate with the work lamps via the existing harness without interference. As the existing wiring harnesses and circuits are used, the vehicle architecture does not need to be modified.

Equipped with lifetime management, the system warns in time before a work lamp comes to the end of its lifetime, which prevents unplanned downtime. Anti-theft protection and a memory function for storing individual lighting settings are also integrated. With Gateway Prime, the vehicle can also be equipped with a cornering light function.

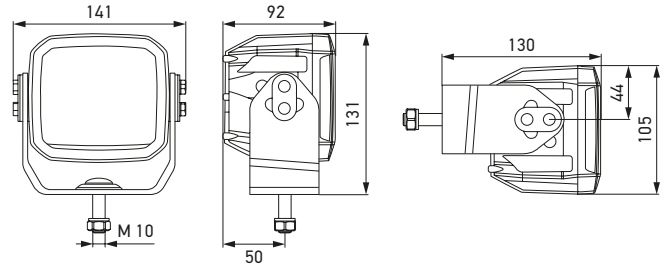
TECHNICAL DETAILS



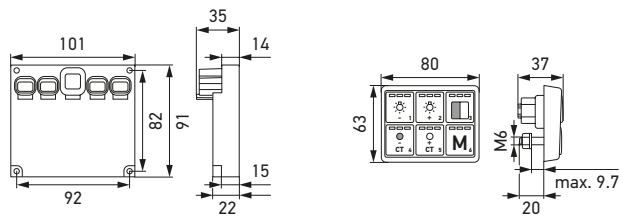
Technical data

Operating voltage	Single-voltage (18–32 V)
Rated voltage	24 V
Current consumption	Ø 2.35 A (24 V)
Power consumption	Ø 56 W max. 57 W
Light output	Up to 3,500 lm
Light source	LED
Colour temperature	3,000 K to 6,800 K
Material	Housing: die-cast aluminium Cover lens: hard-coated plastic
Weight	1.597 g / 1.584 g (ZEROGLARE)
Temperature range	-40 °C to +90 °C (overheat protected)
Degree of protection	Work lamp: IP 6K8, IP 6K9K Gateway Base/ Prime: IP 6K8, IP 6K9K HELLA control panel: IP 6K7
Type approval	UKCA, ECE-R10, RCM
EMC protection	CISPR 25
Salt spray resistance	1,200 h as per DIN EN ISO 9227
Mounting	Upright, pendant and horizontal
Connection	DEUTSCH DT 2 pin connector DEUTSCH DT 2 pin counterpart included
Manufactured in	Austria

Dimensional sketch



RokLUME 280N SMART



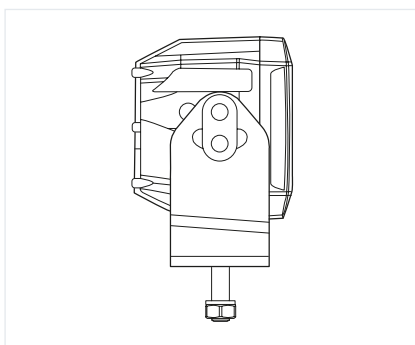
Gateway Base / Prime

HELLA control panel

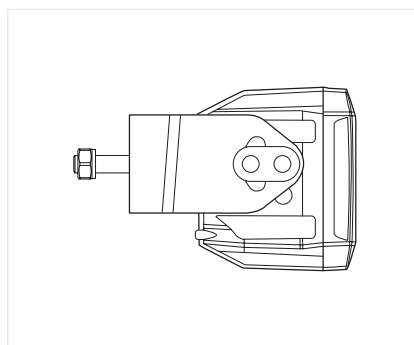


More information?
Please scan the QR code or click on it directly.

Mounting options



Upright mounting



Horizontal mounting



Pendant mounting





PROGRAM OVERVIEW

Variant	Illumination	Part number
3,000 K to 6,800 K White to green	Close-range illumination	1GA 995 707-401
	Long-range illumination	1GA 995 707-411
	ZEROGLARE illumination	1GA 995 707-421
	Pencil beam illumination	1GA 995 707-431
	Diffuse flood illumination	1GA 995 707-441
	Tunnel flood illumination	1GA 995 707-451
3,000 K to 6,800 K White to amber	Close-range illumination	1GA 995 707-551
	Long-range illumination	1GA 995 707-561
	ZEROGLARE illumination	1GA 995 707-571
	Pencil beam illumination	1GA 995 707-581
	Diffuse flood illumination	1GA 995 707-591
	Tunnel flood illumination	1GA 995 707-601
3,000 K to 6,800 K	Close-range illumination	1GA 995 707-461
	Long-range illumination	1GA 995 707-471
	ZEROGLARE illumination	1GA 995 707-481
	Pencil beam illumination	1GA 995 707-491
	Diffuse flood illumination	1GA 995 707-501
	Tunnel flood illumination	1GA 995 707-511

SET

Variant	Illumination	Description	Part number
3,000 K to 6,800 K White to green	Close-range illumination	4 x work lamps, Gateway Base, HELLA control panel, wiring harness	1GA 995 707-801
	ZEROGLARE illumination	4 x work lamps, Gateway Prime, HELLA control panel, wiring harness	1GA 995 707-811

INDIVIDUAL PARTS FOR THE SET-UP

Product image	Description	Additional information	Part number
	Gateway Base	Control of the intelligent work lamps	9SX 333 522-001
	Gateway Prime	Control of the intelligent work lamps, cornering light function possible	9SX 333 523-001
	HELLA control panel	Setting the colour temperature, the light colour (if applicable), the brightness level and the memory function	9SX 333 525-001
	Wiring harness	Connection from the HELLA control panel to the gateway and from the gateway to the fuse box*	8KB 333 557-001

* The wiring harness from the gateway to the fuse box must be shortened to the correct length. The wiring harness must not be laid in loops!