



BRIEF INFORMATION

LED licence plate light for attachment

- Multi-voltage design for flexible use in 12V and 24V systems
- High functional safety due to LED
- Highly efficient electronic set-up – minimum energy consumption
- ADR-certified for transport of dangerous goods

PRODUCT FEATURES

Sealed to withstand high-pressure cleaning

The lamp is tested in accordance with HELLA Norm 67101 and meets the highest automotive requirements. It also meets IP 5K9K and is therefore protected.

Failsafe, true to the 'Fit & Forget' principle

The LED technology ensures outstanding reliability and vibration resistance. The lamp therefore has an exceptionally long working life.

Low energy consumption

The lamps combine efficient light-emitting diodes (LEDs) and precision lenses with Fresnel design to produce an optimum signal pattern with an exceptionally low power consumption.

Varied plug options

The licence plate light is available with all common plug connections and therefore allows for easy connection to the vehicle system.

Functionality with all on-board power supply voltages

The electronics have a multi-voltage set-up, so that even changing to a towing vehicle with a different on-board power supply voltage is no problem.

LED LIGHTING TECHNOLOGY

As a leading innovator in the field of automotive original equipment, HELLA sets standards:

Extremely low energy consumption

With the combination of efficient light-emitting diodes (LEDs) and precision lenses, HELLA lights achieve the statutory light distribution with 85% less power consumption compared to bulbs!

No change of light source, no maintenance and an extremely long operating time thanks to optimal thermal management.

To increase light service life, the components are arranged optimised for temperature. This prevents overheating of the LEDs at extremely high temperatures. This thermal management maximises the lifetime. The lifetime of the LEDs corresponds to that of the vehicle (depending on the operating temperature).

THE VERY LATEST PRODUCTION TECHNOLOGY

Quality by conviction

We work on our processes and technologies every day. This is effectively ensured by continuous further development of our manufacturing processes and production methods. Our HELLA standards reflect our underlying quality-oriented approach. This expectation is therefore reflected in every product.

Process reliability

Integrated production guarantees outstanding quality in terms of air-tightness and fault rate. Our standards have been established across the entire production process. Our experience demonstrates: "only those who have their processes under control can guarantee high performance at all times".

APPLICATION EXAMPLE

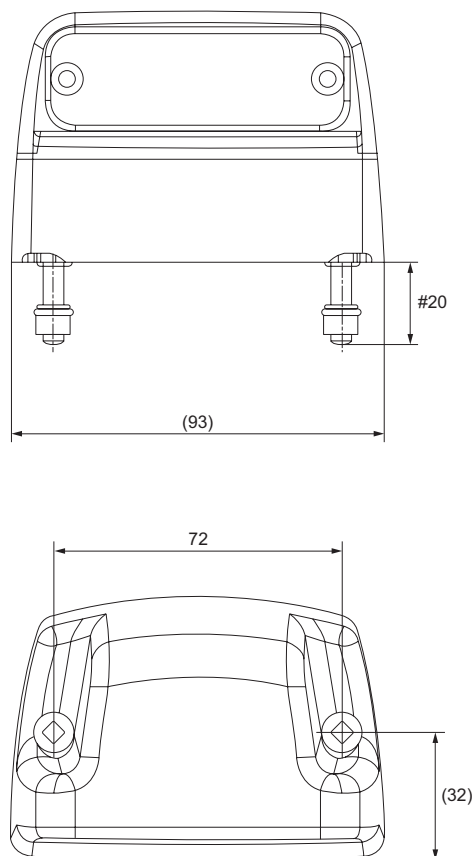


TECHNICAL DETAILS

Technical Data

| | |
|-----------------------|--|
| Type approval | CE 0032 |
| Operating voltage | Multi-voltage 9 V – 32 V |
| Current consumption | ~ 0.02 A |
| EMC approval | CE 10R-04 047294 |
| EMC class | 3 |
| Functions | LED licence plate light |
| Number of LEDs | 2 |
| Power consumption | 12 V at 0.3 W 24 V at 0.5 W |
| Dimensions | 67 x 93 x 63 (L x H x B) |
| Operating temperature | -40°C – +85°C |
| Protection class | IP 5K9K |
| Contacting | <ul style="list-style-type: none"> • 6.3 mm female spade connectors with 2,000 mm cable • Quick-Link plug with 500 mm cable • EasyConn plug (straight) with 500 mm cable • AMP-SUPERSEAL plug (over-molded) with 1,300 mm cable • EasyConn plug (2-pin 90°) with 1,300 mm cable • AMP-SUPERSEAL plug (over-molded) with 2,000 mm cable |
| Assembly | Fitting version, screw fixing |
| Specification | HN 67101 class 5.1 |
| Lifetime | 40,000 hours |
| Polarity | Polarity-independent mounting (+ and - interchangeable) |

Dimensional sketch



RANGE OVERVIEW



| Plug connection | Part number | Description |
|-----------------|-----------------|--|
| | 2KA 012 271-031 | 6.3 mm female spade connectors with 2,000 mm cable |
| | 2KA 012 271-041 | Quick-Link plug with 500 mm cable |
| | 2KA 012 271-051 | EasyConn plug (straight) with 500 mm cable |
| | 2KA 012 271-061 | AMP-SUPERSEAL plug (over-molded) with 1,300 mm cable |
| | 2KA 012 271-071 | EasyConn plug (2-pin 90°) with 1,300 mm cable |
| | 2KA 012 271-081 | AMP-SUPERSEAL plug (over-molded) with 2,000 mm cable |

INSTRUCTIONS ATTACHED FOR FULFILLMENT OF ECE REGULATIONS

