



## BRIEF INFORMATION

### Power Beam 1800

- Compact design with high light output
- Innovative worklight with dimming function
- For universal use.

### PRODUCT FEATURES

The Power Beam 1800 is an ideal LED worklight that combines a powerful light output with a practical design. The worklight is designed so that it can be used anywhere thanks to its compact dimensions.

The light output from the six high-power LEDs is an impressive 1,850 lumens. The light is distributed by a specially developed multi-faceted reflector, which ensures homogeneous illumination. Thanks to different lenses, this worklight can be used for close as well as long-range illumination. It consumes just 36 watts of power.

With a color temperature of 6,500 kelvin, the light from the LED worklight is very similar to daylight. This helps to distinguish colors more easily in the dark, and thus facilitate the human eye's sensory perception task. In turn, this prevents the eyes from tiring quickly during work at night.

The Power Beam 1800 is equipped with an additional dimming function. This dimming can be achieved by means of the adjustable duty cycle of a pulse width-modulated signal (PWM). This can be facilitated by interconnecting a conventional LED PWM dimmer in the supply line. (max. input voltage for light 1.5 A ; frequency 100 – 1,000 Hz).

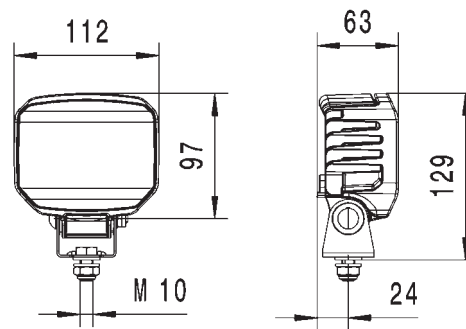
Caution: These electronics are single voltage electronics, meaning a 12 or 24-volt operating voltage (for details, refer to the range overview).

# TECHNICAL DETAILS

## Technical Data

Operating voltage / Rated voltage	12 volts: 10.5–16 V 24 volts: 22–32 V
Light source type	6 high-power LEDs
Power consumption	36 W
Light output	1,850 lm
Color temperature	6,500 kelvin
Protection class	IP 6K9K, IP 6K8
Type approval	Ⓜ, ECE-R10, C-Tick / RCM
Housing	Aluminum, powder-coated black

## Dimensional sketch

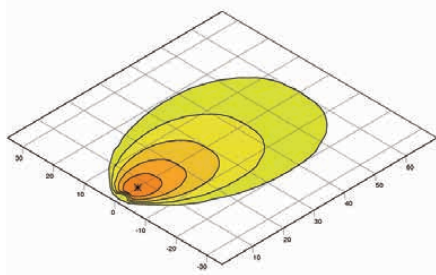


# RANGE OVERVIEW

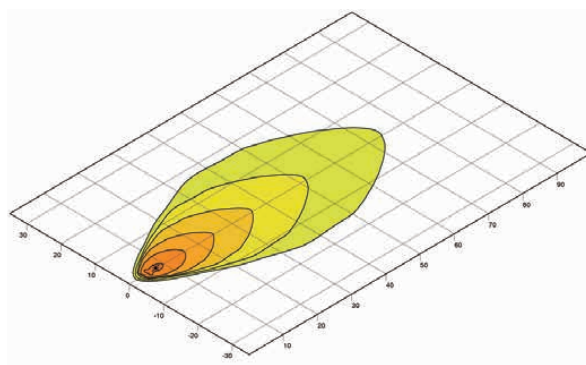
1GA 996 388-...	-001*	-011	-021*	-031
Operating voltage	12 V	24 V	12 V	24 V
Close-range illumination	x	x	–	–
Long-range illumination	–	–	x	x
Upright installation	x	x	x	x
Suspended mounting	x	x	x	x
Swivel base	x	x	x	x
Recommended angle of inclination	12°	12°	5°	5°
Electrical connection	DEUTSCH plug	DEUTSCH plug	DEUTSCH plug	DEUTSCH plug
IP 6K9K	x	x	x	x
IP 6K8	x	x	x	x
Overheating protection	x	x	x	x
Polarity reversal protection	x	x	x	x

Available starting Winter 2014.

# LIGHT DISTRIBUTION



Close-range illumination



Long-range illumination

