



BRIEF INFORMATION

Ultra Beam S-series

- Improved light distribution for excellent light output
- Best energy efficiency
- Innovative electronics with power on soft start
- Robust design, also suitable for harsh working environments

PRODUCT FEATURES

Outstanding light output with minimal power consumption: The HELLA Ultra Beam S-series sets new efficiency standards. With a power consumption of 39 watts, the work lamps produce a high light output of 4,400 lumens. This corresponds to more than 110 lumens per watt.

With this outstanding lumen-watt performance, the Ultra Beam S-series significantly outperforms the previous generation, saving on fuel and costs and reducing CO₂. The work lamps are equipped with eight high-performance LEDs that, with a colour temperature of 6,500 K and a special reflector, provide very homogeneous illumination of the work area that is similar to daylight.

The Ultra Beam S-series is produced in Austria and has a consistently high quality, as it is produced on an automated production line.

The LED work lamps are extremely robust and are also suitable for use in harsh conditions. The durable die-cast aluminium housing also has massive cooling fins that dissipate heat outside to protect the device from overheating, guaranteeing a long service life. The work lamps are dustproof and waterproof and can be operated with a voltage between 9 and 32 V.

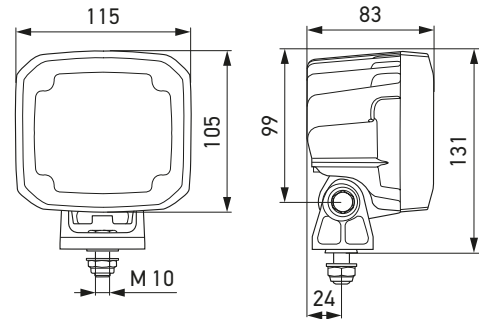
To achieve an optimum performance and service life, the HELLA Ultra Beam S-series is equipped with innovative electronics. Overvoltage protection and a thermal sensor prevent overstressing of the electronics. Thanks to the soft start, the load on the vehicle electrical system is reduced when several LED work lamps are switched on.

TECHNICAL DETAILS

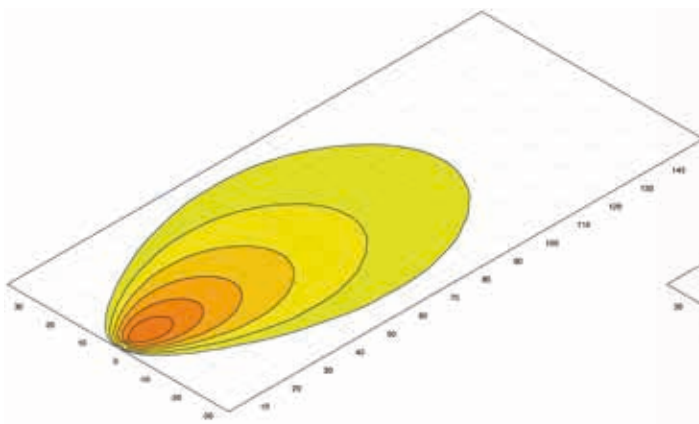


Technical data	
Operating voltage	Multi-voltage (9 – 32 V)
Rated voltage	12 V and 24 V
Current consumption	12 V: Ø 2.95 A (13.2 V) 24 V: Ø 1.39 A (28 V)
Power consumption	12 V: Ø 39 W (13.2 V) 24 V: Ø 37.5 W (28 V)
Light output	4,400 lm
Light source	LED
Colour temperature	6,500 K
Material	Housing: die-cast aluminium Cover lens: plastic
Weight	895 g
Temperature range	-40 °C to +85 °C (overheating protection)
Degree of protection	IP 6K9K, IP 6K8
Type approval	ECE-R10
EMC protection	12 V: CISPR 25 Class 5 24 V: CISPR 25 Class 5
Salt spray resistance	720 h as per DIN EN ISO 9227
Mounting	Upright and pendant
Connection	2-pin DEUTSCH DT connector
Manufactured in	Austria

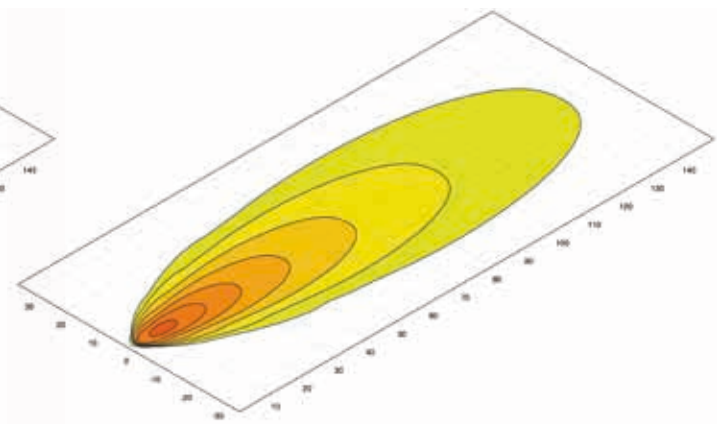
Dimensional sketch



LIGHT DISTRIBUTION



Close-range illumination





Long-range illumination



Mounting position: 2.5 m high at -3°

PROGRAM OVERVIEW

Product image	Illumination	Part number
	Close-range illumination	1GA 995 706-001
	Long-range illumination	1GA 995 706-011