



BRIEF INFORMATION

PS1000

- First HELLA VALUEFIT LED work lamp with corrosion-free, plastic housing
- Modern and elegant look with its black design
- Perfect for the changeover from halogen to LED
- Also available as a reverse lamp according to ECE-R23

PRODUCT FEATURES

The PS1000 is the first HELLA VALUEFIT work lamp with a plastic housing. As a result, the work lamp is optimally protected against corrosion and can withstand even the toughest conditions. The plastic housing also offers a weight saving together with better vibration resistance. The housing and bracket are black, which gives the work lamp a thoroughly modern and elegant design. The salt spray resistance has been increased by perfectly adapting design and function with black, oxidised screws and a black, powder-coated U-bracket.

With its 1,000 lumen, the PS1000 is ideally suited as a halogen replacement headlamp. The compact design also makes it perfect for universal use.

For optimal illumination, a mounting height of 2.50 metres is recommended. This ensures that the light is distributed homogeneously over a particularly large surface in the

working area, providing a significant improvement in working conditions at night. LED work lamps are also completely maintenance-free and offer a significantly longer lifetime than the bulb of a halogen headlamp.

The PS1000 is also available as a reverse lamp that is approved according to ECE-R23. This is perfect for surface mounting on the rear of a vehicle and ensures optimum rear visibility.

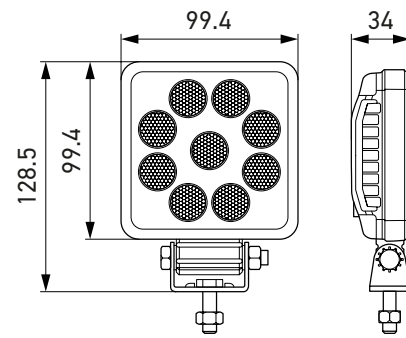
The HELLA VALUEFIT products are safe, reliable and enable a cost-effective changeover to LED technology.

TECHNICAL DETAILS


Technical Data

Variant	Work lamps	Reverse lamps
Operating voltage	Multi-voltage (10 – 30 V)	
Rated voltage	12 V/ 24 V	
Power consumption	9 W	
Light output	1,000 lm	
Light source	9 high-performance LEDs	
Colour temperature	6.500 K	
Material	Housing: Plastic	
Protection class	IP 6K7, IP 6K9K	
Type approval	ECE-R23	
EMC protection	ECE-R10	
Mounting	Upright and pendant	
Recommended angle of inclination	15°	30°

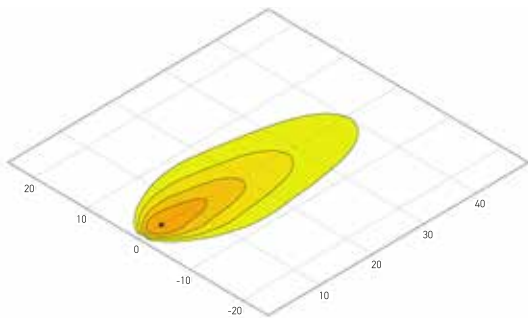
Dimensional sketch



PROGRAM OVERVIEW

Product Image	Variant	Illumination	Connection	Weight	Part Number
	Work lamps	Close-range illumination	800 mm cable, open cable ends	270 g	1GA 357 114-002
	Reverse lamps				2ZR 357 114-501

LIGHT DISTRIBUTION



Close-range illumination

