



## BRIEF INFORMATION

### S3000 LED

- VALUEFIT LED work lamp with extremely strong light output
- Perfect for optimal and large-scale off-road lighting of the work area
- Compact design for universal applications at highest lighting requirements

## PRODUCT FEATURES

With its S3000 LED work lamp, HELLA is introducing the most powerful VALUEFIT work lamp on the market. Its up to 3,400 lumens are optimally suited for applications requiring lots of light and it is even comparable to xenon lighting performance. It therefore serves as the perfect solution for a lighting upgrade of the vehicle as it can replace even several halogen lamps with only a single LED lamp.

The light of the work lamp is distributed homogeneously over a particularly large surface in the working area, providing a significant improvement in working conditions at night. The S3000 LED is also available as a version with an amber lens for optimal visibility in snow, dust and fog.

VALUEFIT LED work lamps are furthermore completely maintenance-free and offer a much longer service life than the bulb of a halogen headlamp.

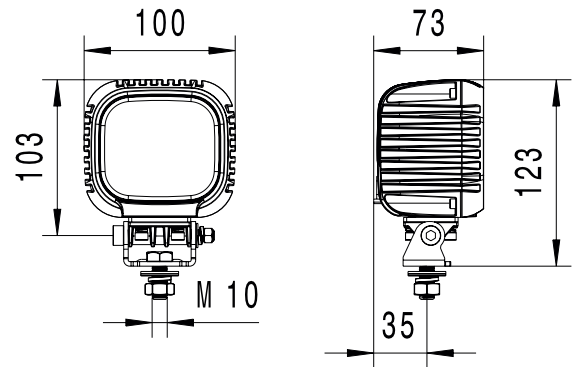
HELLA VALUEFIT products are safe and reliable while enabling a cost-effective switch to LED technology.

# TECHNICAL DETAILS




## Technical data

Operating voltage	Multi-voltage (10–52 V)
Rated voltage	12 V / 24 V / 48 V
Light source type	9 high-power LEDs
Power consumption	≤ 31 W
Light output	≤ 3,400 lm
Colour temperature	6,000 K / 1,800 K
Tightness capability	IP 6K7
Type approval	CE, RoHS, ECE-R10
Housing	Die-cast aluminium
Mounting	Upright and pendant
Connection	DEUTSCH DT connector, 800 mm cable
Weight	760 g
Bracket width	42 mm

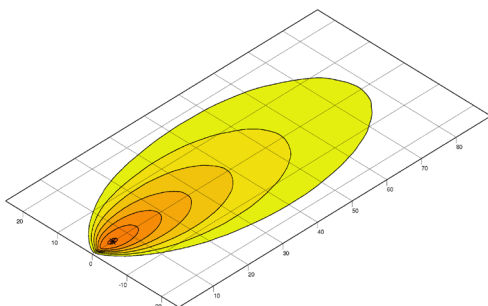
## Dimensional sketch



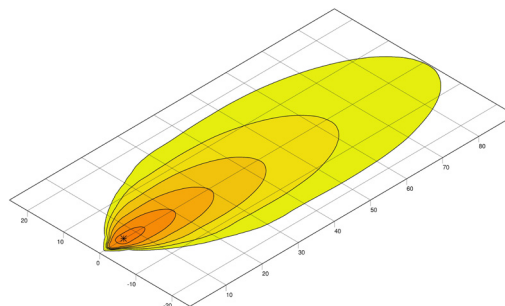
# RANGE OVERVIEW

Product picture	Illumination	Light output	Colour temperature	Power consumption	Part number
	Long-range illumination	3,400 lm	6,000 K	31 W	1GA 357 109-012
	Close-range illumination	3,000 lm	6,000 K	31 W	1GA 357 109-002
		2,200 lm	1,800 K	25 W	1GA 357 109-022

# LIGHT DISTRIBUTION



Close-range illumination



Long-range illumination

lux >= 0        