



BRIEF INFORMATION

LED Light Control Unit

- LED light control unit for connection of LED lights to conventional light control units
- Basic Control Unit: for legally required direction indicator failure control
- Premium Control Unit: for useful and convenient monitoring of direction indicators and the stop lights.
- Maximum compatibility thanks to simulation of the bulb characteristic

PRODUCT FEATURES

HELLA offers two different types of LED light control units designed to monitor lighting function.

- **Basic Version:** This only monitors the direction indicator
- **Premium Version:** This monitors the direction indicators and stop lights.

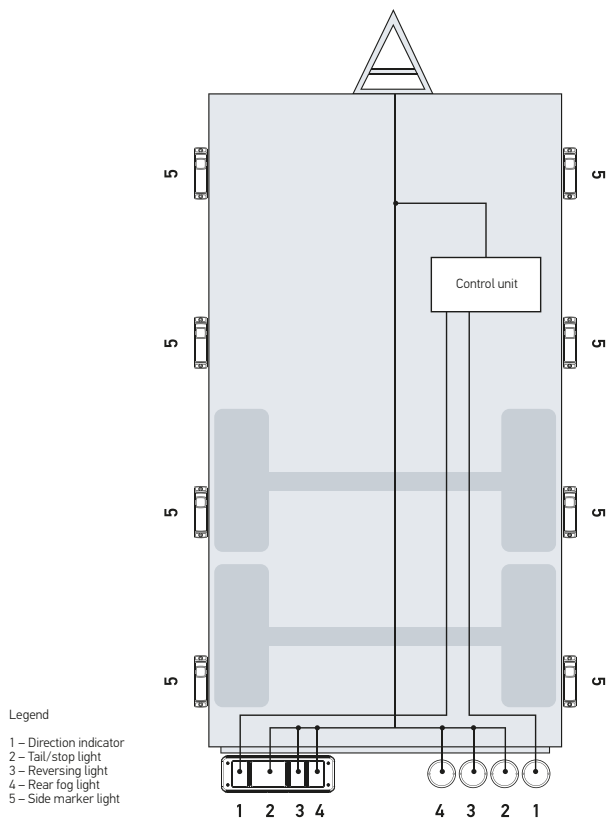
Only one control unit is required for the left and the right side.

- The Deutsch connector, itself integrated in the housing, enables easy integration in the vehicle architecture
- Active thermal management, including overheating protection, for a long service life
- Completely watertight and dust-proof for maximum functioning safety
- Electromagnetic compatibility (EMC) for trouble-free use of, for example, radio

BASIC CONTROL UNIT

System representation: Basic

Control unit is **responsible only** for monitoring the direction indicators.



Connection diagram for Basic control unit

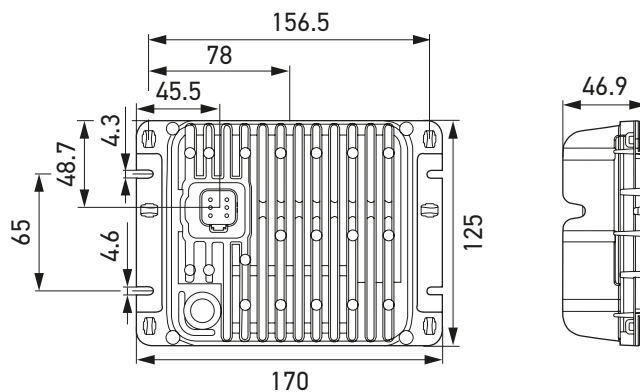
- 1 Input Direction indicator, right
- 2 Input Ground
- 3 Input Direction indicator, left
- 4 Output Direction indicator, left
- 5 Output Ground
- 6 Output Direction indicator, right

TECHNICAL DETAILS

Technical data

Operating voltage	12 V	24 V
Current consumption (min.)	1.4 A	0.78 A
Current consumption (max.)	2 A	0.9 A

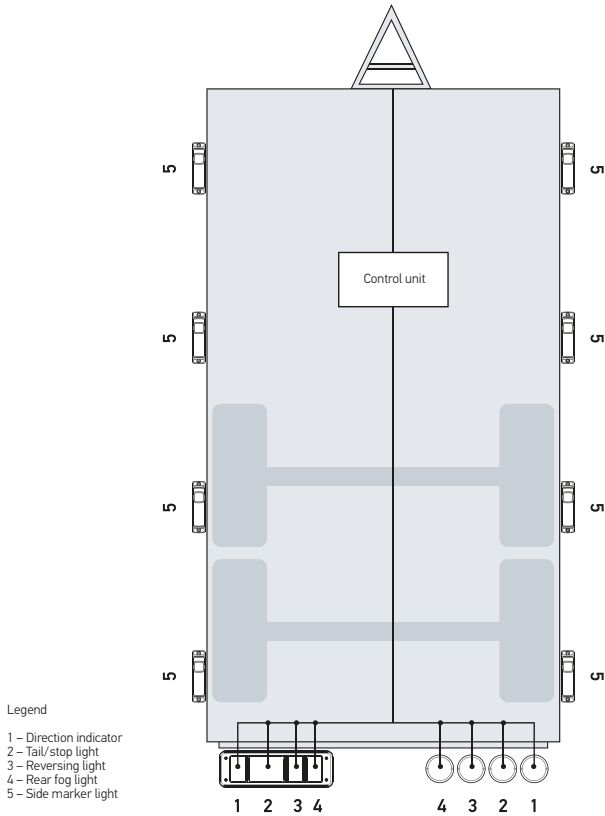
Dimensional sketch



PREMIUM CONTROL UNIT*

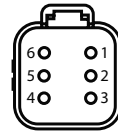
System representation: Premium

Control unit is responsible for the direction indicators and stop lights.



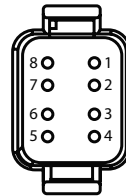
Connection diagram for Premium control unit

6-pin



- 1 Input Direction indicator, right
- 2 Input Ground
- 3 Input Direction indicator, left
- 4 Output Direction indicator, left
- 5 Output Ground
- 6 Output Direction indicator, right

8-pin "IN" and "OUT"



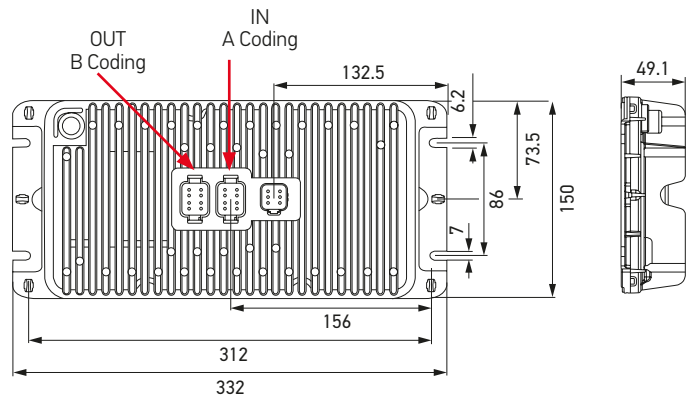
- 1 Stop light, left
- 2 Tail light, right
- 3 Tail light, left
- 4 Stop light, right
- 5 Reversing light
- 6 Rear fog light
- 7 Ground
- 8 Free

TECHNICAL DETAILS

Technical data

Operating voltage	12 V	24 V
Current consumption (min.)	1.4 A	0.78 A
Current consumption (max.)	2 A	0.9 A

Dimensional sketch



* With 1-channel operation only the left pin is used IN/OUT, the right one has no function. See page 4 for part numbers.

RANGE OVERVIEW

Description	Part number	PU*
Basic Control Unit**		
12 V, with 6-pin socket housing	5DS 227 488-001	1
24 V, with 6-pin socket housing	5DS 227 488-101	1
Premium Control Unit		
12 V, with 8-pin socket housing (1 stop light channel)	5DS 227 489-001	1
12 V, with 8-pin socket housing (2 stop light channels)	5DS 227 489-011	1
24 V, with 8-pin socket housing (1 stop light channel)	5DS 227 489-101	1
Accessories		
Wire harness with EasyConn-connectors, for Basic Control Unit	8KA 340 128-001	1
Wire harness with EasyConn-connectors, for Premium Control Unit	8KA 340 128-011	1
Wire harness with 6.3 mm-tabs, for Basic Control Unit	8KA 340 128-021	1
Sets (Control Unit + Harness)**		
24 V-Basic Control Unit + wire harness with EasyConn-connectors	5DS 009 552-081	1
24 V-Basic Control Unit + wire harness with 6.3 mm-tabs	5DS 009 552-101	1

* Packaging unit

** Constant vehicle electric system voltage to the rear lamps must be guaranteed.