



## BRIEF INFORMATION

### Compact full-LED rear lamp 328 630

- Rear lamp with 5 light functions in 100 % LED technology
- With the tail light in "Glowing Body" technology for particularly homogeneous illumination and with dynamic direction indicator light
- Robust and compact design for tough demands

## PRODUCT FEATURES

The innovative full-LED rear lamp 328 630 from HELLA covers all five light functions required at the rear of the vehicle – and it does so exclusively with LEDs.

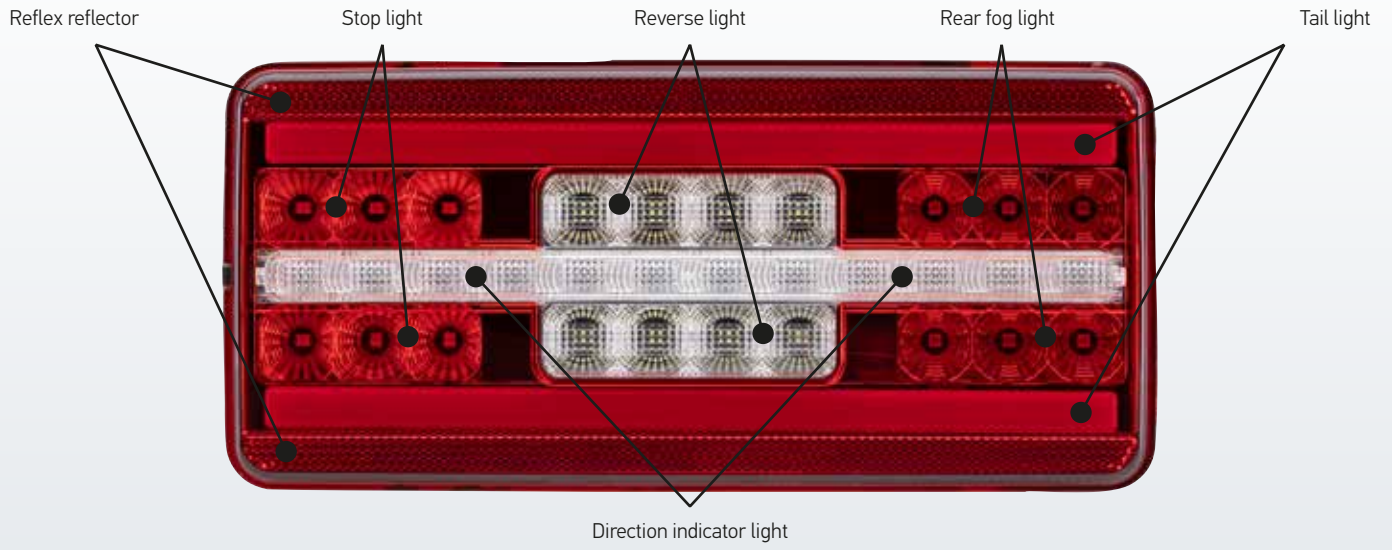
The tail light's "Glowing Body" technology is particularly eye-catching. The full-LED rear lamp 328 630 produces two flat, homogeneous light strips. Thanks to this technology, the tail light also looks very pleasant to the traffic behind.

The full-LED rear lamp's design is extremely compact. With installation dimensions of only 225 x 105 x 35 mm, it requires very little space and is also available in a horizontal and vertical version. As a result, it offers a lot of flexibility and maximum design scope.

Both versions of the lamp generate an electronic ISO pulse for the direction indicator failure control. The horizontal version has a wiping direction indicator light.

Another typical feature of HELLA's LED lamps is that they are extremely robust. The LED modules of the full-LED rear lamp 328 630 are completely sealed. The polycarbonate external lens is two-tone (red and clear) and impact resistant, meaning that the lamp can withstand tough everyday use with ease.

# LIGHT FUNCTIONS



Tail light



Stop light



Reverse light



Rear fog light



Direction indicator light

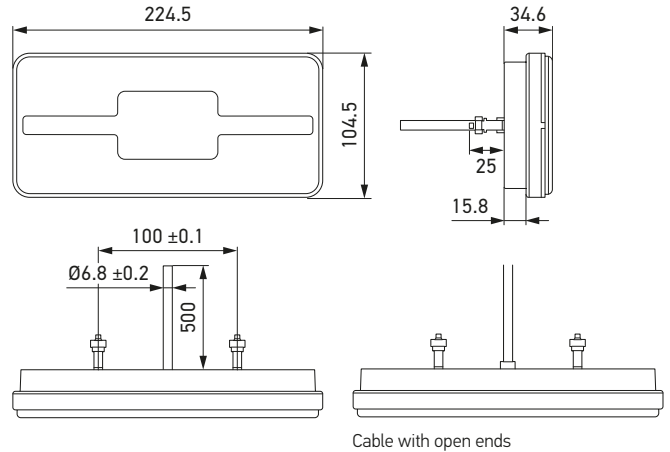
# TECHNICAL DETAILS



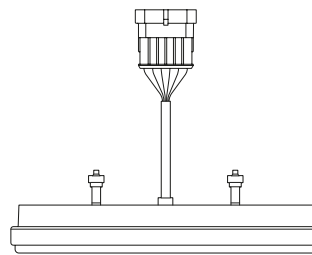
## Technical data

Operating voltage	Multi-voltage (12 / 24 V)		
Voltage range		<b>12 V</b>	<b>24 V</b>
	Tail-stop-direction indicator-reverse light	9–16 V	18–32 V
	Rear fog light	10.5–16 V	18–32 V
Current consumption		<b>13.5 V</b>	<b>28 V</b>
	Tail light	min. 131 mA max. 220 mA	min. 80 mA max. 128 mA
	Stop light	min. 91 mA max. 122 mA	min. 59 mA max. 77 mA
	Direction indicator light	min. 213 mA max. 320 mA	min. 120 mA max. 176 mA
	Reverse light	min. 194 mA max. 276 mA	min. 106 mA max. 150 mA
	Rear fog light	min. 139 mA max. 207 mA	min. 81 mA max. 118 mA
Light function	Tail light, stop light, direction indicator light, reverse light, rear fog light and reflex reflectors		
Light source	Tail light: 30 LEDs Stop light: 6 LEDs Direction indicator light: 12 LEDs Reverse light: 8 LEDs Rear fog light: 6 LEDs		
Material	External lens: Polycarbonate		
Weight	420 g		
Protection class	IP 6K9K		
Type approval	ECE-R148 / GGVS / ADR		
EMC protection	ECE-R10		
Connection	500 mm cable with open ends		
	150 mm cable with AMP-SUPERSEAL connector		
	280 mm cable with DEUTSCH connector		
Mechanical connection	2 x M6 stud bolt (length: 25 mm / distance: 100 mm)		

## Dimensional sketch



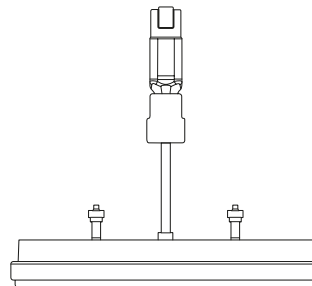
## AMP SUPERSEAL connector



## Pin assignment





## DEUTSCH connector



## Pin assignment



# PROGRAM OVERVIEW

Product image	Version	Mounting side	Direction indicator light	Connector type	Part number
	Horizontal	Right and left*	Wiping	Open ends	<b>2VP 328 630-011</b>
				AMP SUPERSEAL connector	<b>2VP 328 630-031</b>
				DEUTSCH connector	<b>2VP 328 630-041</b>
	Vertical	Right and left	Flashing	Open ends	<b>2VP 328 630-021</b>

\* The lamp can be rotated 180°, making it suitable for left and right surface mounting.

## ACCESSORIES

Description	Part number
<b>Basic control unit</b>	
12 V	<b>5DS 227 488-001</b>
24 V	<b>5DS 227 488-101</b>
<b>Premium control unit</b>	
12 V (1 stop light channel)	<b>5DS 227 489-001</b>
12 V (2 stop light channels)	<b>5DS 227 489-011</b>
24 V (1 stop light channel)	<b>5DS 227 489-101</b>