



## BRIEF INFORMATION

### LED interior lamp / spotlight 343 790

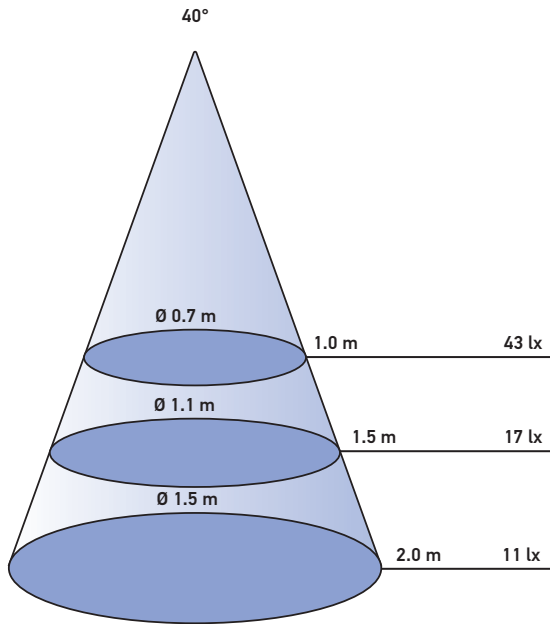
- Optimum light output thanks to power LED and precision reflector
- Particularly impact-resistant frame
- With CELIS® ring for ambient lighting

## PRODUCT FEATURES

The LED interior lamp offers optimum light output thanks to its combination of power LED and precision reflector. The electronics of the lamp also enable a dimming function, which contributes to a relaxed atmosphere and creates indirect ambient lighting.

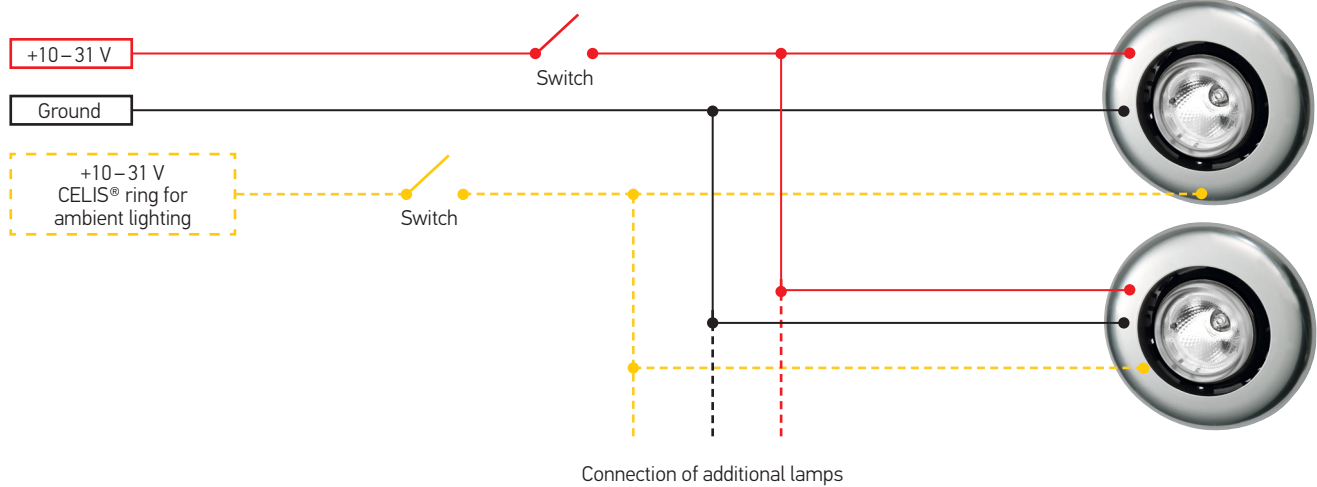
The clear lens and also the various frame colours that are on offer round off the design of the spotlight. The shatterproof frame made of impact-resistant plastic (PC) is available in black, white or silver.

# LIGHT DISTRIBUTION

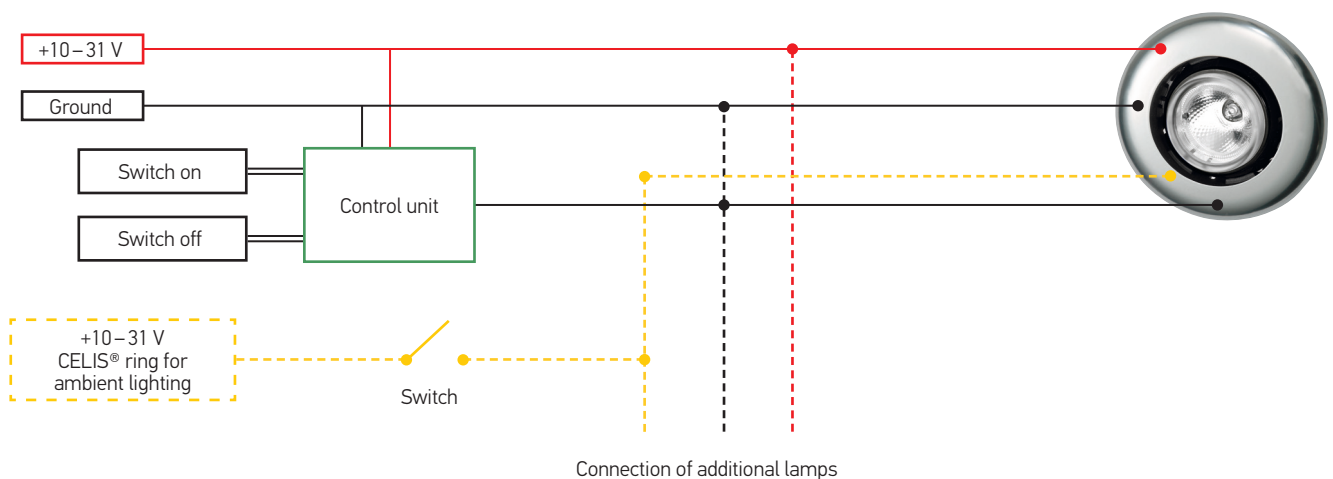


# CONNECTION DIAGRAMS

## Without dimming control unit

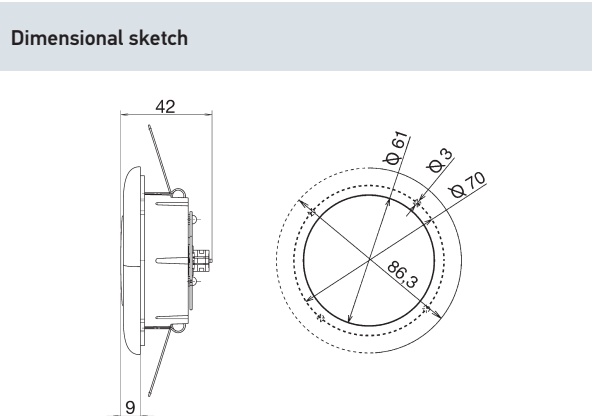


## With dimming control unit






# TECHNICAL DETAILS

Technical data	
Operating voltage	Multi-voltage (10 – 31 V)
Rated voltage	12 V
Current consumption	approx. 0.20 A @ 12 V
Power consumption	2.5 W
Colour temperature	Warm white
Mounting	Choice of screw or spring clip fastening



# PROGRAM OVERVIEW

Product picture	Cover colour	Mounting	Part number	Packaging unit
	White	Flush mounting, adjustable	<b>2JA 343 790-301</b>	1
	Black	Flush mounting, adjustable	<b>2JA 343 790-311</b>	1
		Flush mounting, adjustable with white CELIS® ring for ambient lighting	<b>2JA 343 790-711</b>	1
	Silver	Flush mounting, adjustable	<b>2JA 343 790-341</b>	1
		Flush mounting, adjustable with white CELIS® ring for ambient lighting	<b>2JA 343 790-741</b>	1

Covers in other colours (e.g. real wood look) and also variants with ambient CELIS® light guide ring (e.g. blue, red) are available on request.