



To the product video

## BRIEF INFORMATION

### Full LED rear lamp for 24 V truck and trailer

- Full LED solution with innovative, patented LED light curtain for tail light function and dynamic LED direction indicator light
- Robust and compact design for the toughest demands
- High degree of flexibility for future topics thanks to modular design

## PRODUCT FEATURES

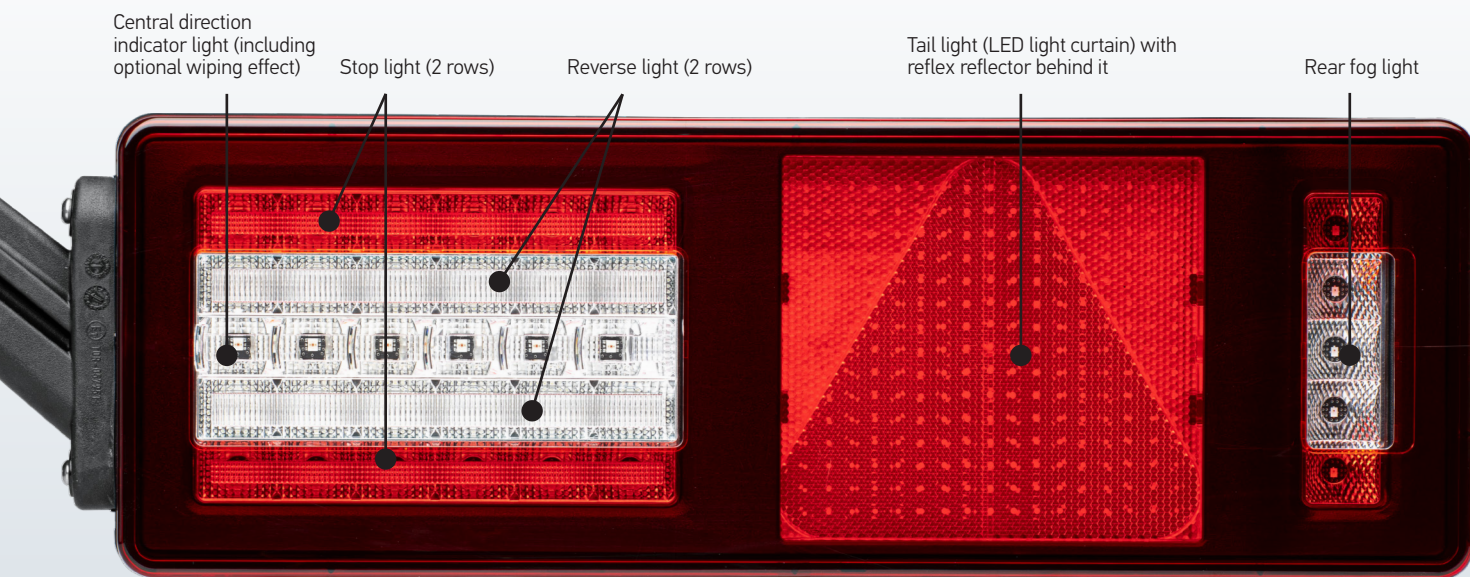
The full LED rear lamp for 24 V truck and trailers impresses at first glance with its innovative design. The patented LED light curtain is particularly striking with a surface area of 144 cm<sup>2</sup> for the tail light and the reflex reflector behind it, as well as the dynamic direction indicator light. Due to the large light surface, it ensures optimal visibility of the vehicle, which guarantees a high level of safety.

The new rear lamp is also exceptionally robust. The lens is bonded to the housing and the two colour polycarbonate (PC) external lens is impact-resistant. Overall, the rear lamp achieves protection class IP 6K9K, which means that it is not only dustproof but also high-pressure jet cleaner resistant. With a size of 410 x 140 mm and an installation depth of just 55.5 mm, it is also extremely compact.

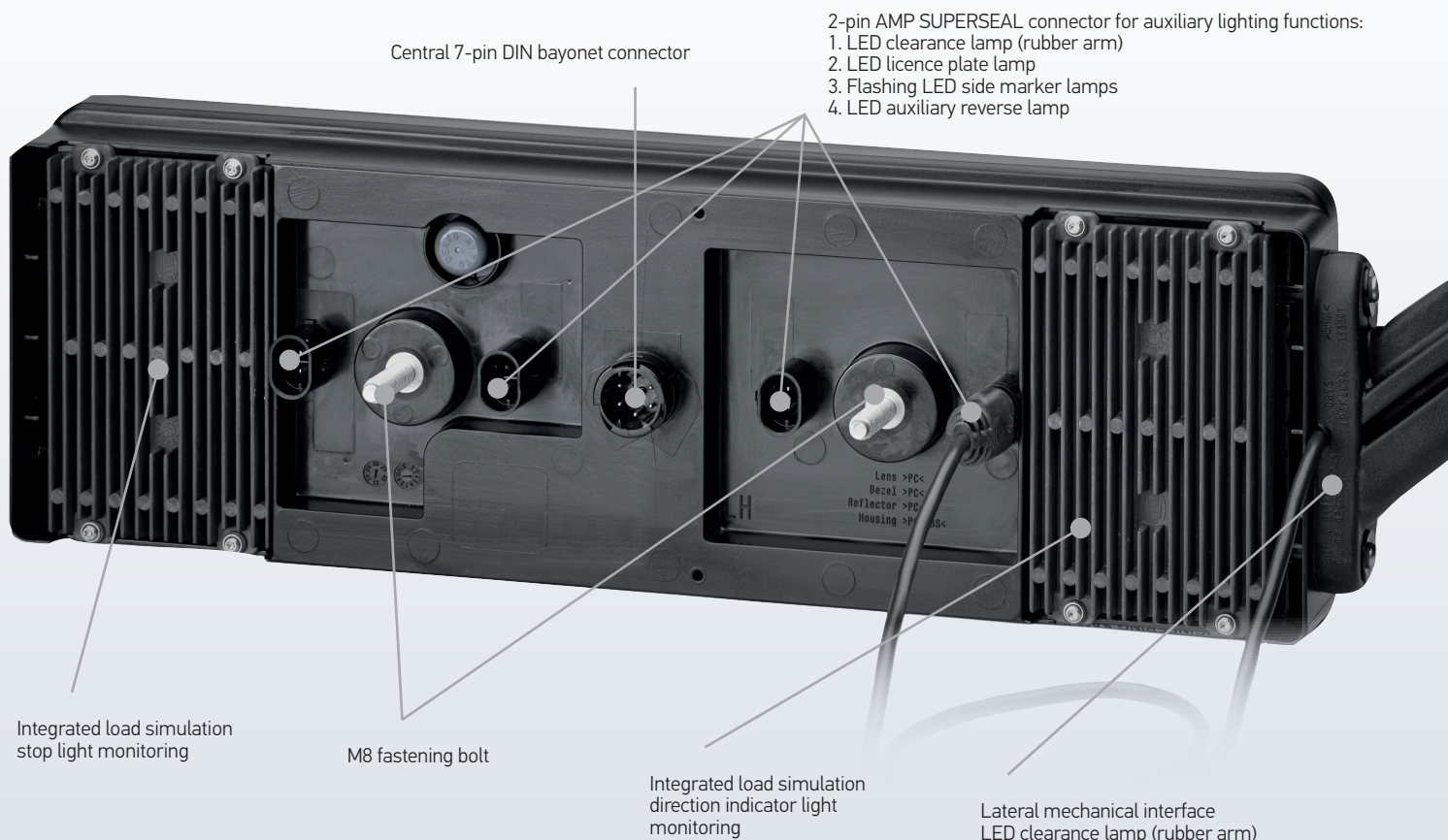
The electronics also meet the highest demands. The high-performance LEDs enjoy a long lifetime and low power consumption. In addition, control for the flashing side marker lamps, direction indicator failure control and load simulation for the stop and direction indicator lights are integrated into the system. This ensures a high level of compatibility.

Another advantage of the rear lamp is its future viability. It has a mechanical interface for sensor technology, meaning that ultrasonic sensors can be connected on both sides, for example.

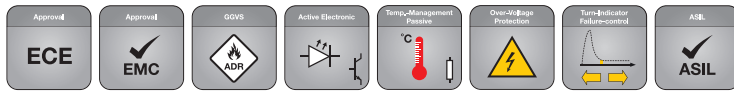
# DISTRIBUTION OF THE LIGHT FUNCTIONS



# OVERVIEW OF CONNECTORS AND CONNECTIONS



# TECHNICAL DETAILS



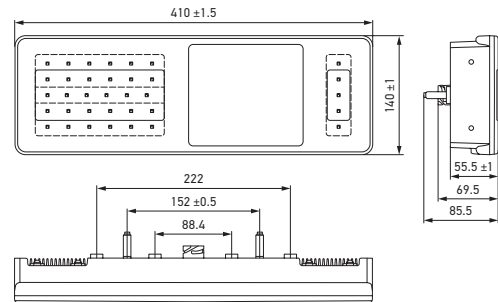
## Technical data

Operating voltage	24 V			
Light function		①	②	③
	Tail light	12 red	2 W	0.1 A
	Stop light	12 red	26 W	1.1 A
	Direction indicator light	6 amber	24 W	1.0 A
	Reverse light	12 white	3 W	0.15 A
	Rear fog light	5 red	1.6 W	0.07 A
Light source	LED			
Material	Two colour external lens made of polycarbonate (PC), housing made of PC-ABS			
Weight	~ 1,900 g			
Temperature range	- 40°C to + 60°C			
Protection class	IP 6K9K			
Type approval	ECE E24 148R-00 5934, 150R-00 5934			
EMC protection	EMV E11 10R-06 9011 (ECE-R10)			
Mounting	With M8 fastening bolts			
Connection	Central 7-pin DIN bayonet connector, 2-pin AMP SUPERSEAL connector for auxiliary lighting functions			

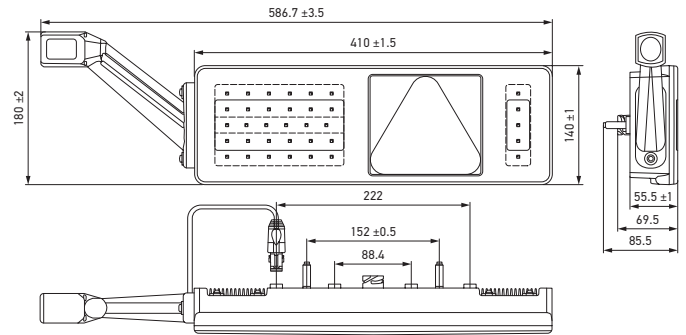
① Number of LEDs | ② Power | ③ Current consumption

## Dimensional sketch

### Trucks



### Trailers



# PROGRAM OVERVIEW

Version	Surface mounting	Functions						Part number	PU*	
		Direction indicator		Rubber arm	Load simulation		Electronics for flashing side marker lamps		...1	...7
		Flashing	Wiping		Direction indicator light	Stop light				
Truck	left/right	x	-	-	-	-	-	2VP 340 970-70...	1 pcs.	-
Truck	left/right	-	x	-	-	-	-	2VP 340 970-71...	1 pcs.	-
Trailer	left	x	-	x	-	-	-	2VP 340 970-03...	1 pcs.	8 pcs.
Trailer	right	x	-	x	-	-	-	2VP 340 970-04...	1 pcs.	8 pcs.
Trailer	left	-	x	x	-	-	x	2VP 340 970-33...	1 pcs.	8 pcs.
Trailer	right	-	x	x	-	-	x	2VP 340 970-34...	1 pcs.	8 pcs.
Trailer	left	x	-	x	x	x	x	2VP 340 970-43...	1 pcs.	8 pcs.
Trailer	right	x	-	x	x	x	x	2VP 340 970-44...	1 pcs.	8 pcs.
Trailer	left	-	x	x	x	x	x	2VP 340 970-53...	1 pcs.	8 pcs.
Trailer	right	-	x	x	x	x	x	2VP 340 970-54...	1 pcs.	8 pcs.

\* PU = packaging unit; 1 piece is delivered in a single carton and 8 pieces in an outer carton.

**HELLA GmbH & Co. KGaA**

Rixbecker Straße 75

59552 Lippstadt/Germany

Tel. +49 2941 38-0

Fax +49 2941 38-71 33

info@hella.com

www.hella.com

© HELLA GmbH & Co. KGaA, Lippstadt  
J01725/02.21

Subject to technical and price modifications.