



BRIEF INFORMATION

Long-Life Electronic horn B133E

- Ideal for commercial vehicles
- PCB control instead of mechanical parts
- Robust housing with distinctive grille
- High corrosion protection
- PTFE pill to protect against humidity (optional)
- Variants with additional protection against water

PRODUCT FEATURES

Application

Signal horns are a mandatory part of the safety equipment of a vehicle. A particularly perceptible sound is necessary in order to be able to warn other road users optimally in dangerous situations. Our signal horns offer you a high level of functional reliability.

Design and function

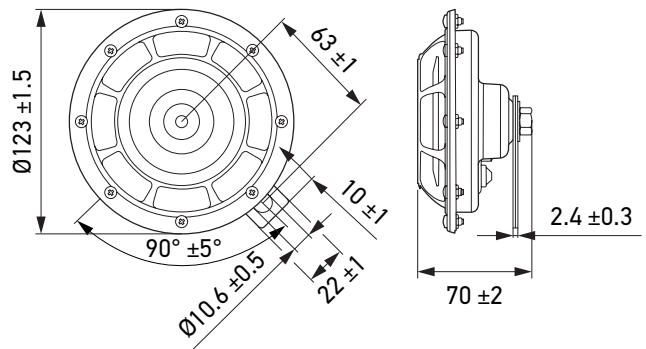
Signal horns are powered by the battery current pulse, which is normally transmitted via a voltage pulse controlled by the steering wheel. The current signal is sent to a relay, on which the entire control current is transmitted so that no voltage dips occur. As the signal horn is powered by the electric current, a magnetic field is generated which attracts a metal core (shaft) together with a steel membrane. This magnetism causes vibrations that are converted by varying resonances to produce low or high tones.

TECHNICAL DETAILS

Technical Data

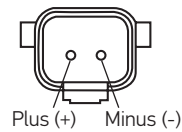
Diameter	123 mm
Nominal voltage	24 V
Frequency range	300 Hz (low tone) 450 Hz (high tone)
Sound pressure level @ 2 m	115 ± 3 dB (A)
Power consumption	60 W
Current consumption	max. 2.5 A
Operating temperature	-40°C to +85°C
Protection class	IP 67
Service life	500,000 cycles (ECE-R28)
Housing material	Metal
Type approval	ECE-R28 / ECE-R10

Technical Drawing



Connector

Splashwater-proof „DEUTSCH“ connector DT 06-25



PROGRAM OVERVIEW

Product photo	Description	Part number	Packaging unit
	24 V, 300 Hz, low tone	3AF 005 631-221	1
		3AF 005 631-227	32
	24 V, 450 Hz, high tone	3AF 005 631-231	1
		3AF 005 631-237	32