



BRIEF INFORMATION

Module 90 LED

- Powerful LED worklight
- Lighting performance at xenon level
- Compact and space-saving design

PRODUCT FEATURES

The Module 90 LED is a robust worklight in a universal, attractive design. The black aluminum housing features cooling fins which ensure the required heat dissipation from the four high-power LEDs. In addition, temperature sensors protect the worklight from overheating. Only in this way can the long service life of the LEDs and safe work environment at night be guaranteed.

Thanks to its powerful light output of 3,800 lumens, the Module 90 LED can replace xenon worklights, despite consuming just 36 watts of power. This makes this worklight ideal for use on battery-operated vehicles or on vehicles where the alternator is already under a heavy load. The light is distributed by a specially developed multi-faceted reflector, thus ensuring homogeneous illumination.

The light can be operated at both 12 V and 24 V. The integrated electronics protect the device in the event of a polarity reversal and guarantee constant brightness, even when operating with voltage fluctuations between 9 and 32 volts.

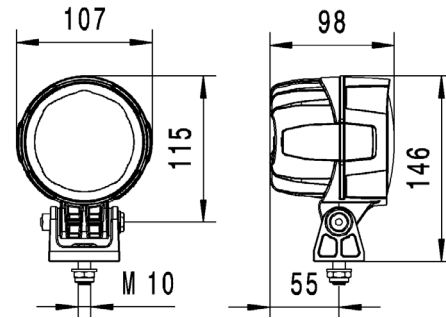
At 6,500 kelvin, the light from the LED worklight is very similar to daylight. This helps to distinguish colors more easily in the dark, and thus facilitate the human eye's sensory perception task.

TECHNICAL DETAILS

Technical Data

Operating voltage / Rated voltage	9–32 V
Light source type	4 high-performance multichip LEDs
Power consumption	36 W
Light output	3,800 lm
Color temperature	6,500 Kelvin
Protection class	IP 6K9K, IP 6K8
Type approval	Ⓜ, ECE-R10
Housing	Aluminum die cast
Light exit element	90 mm diameter

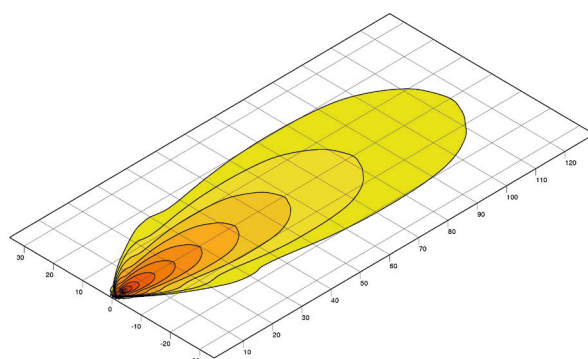
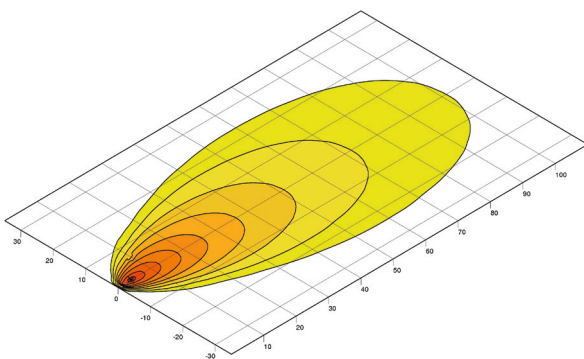
Dimensional sketch



RANGE OVERVIEW

1G0 996 263-...	-031	-051
Close-range illumination	x	–
Long-range illumination	–	x
Upright installation	x	x
Suspended mounting	x	x
Swivel base	x	x
Recommended angle of inclination	12°	5°
DEUTSCH plug	x	x
Protected against overheating	x	x
Polarity reversal protection	x	x

LIGHT DISTRIBUTION



Close-range illumination

Long-range illumination

