



## BRIEF INFORMATION

Hybrid and full LED round lamps for trucks, trailers, etc.

### PRODUCT FEATURES

The new generation of our popular series of round lamps includes a combination tail light, brake light and direction indicator, and a combination rear fog light and reversing light. The lamps have a diameter of 140 mm and are each available either in a hybrid version (with the direction indicator function implemented as a bulb) or as a full LED version. All versions optionally come with an integrated resistor to provide for the vehicle's comfort function (for the brake lights). The lamp is upward-compatible with the 001 685 series and all the usual cable groups are available. The series also complies with IP 6K9K meets and was developed in accordance with HELLA standard 67101.



If the lens should be damaged it can be replaced.



Can be mounted at left or right.



Fulfills the ECE standard and is approved for double attachment.



LED versions come with integrated indicator failure pulse compliant with ISO 13207.



Modular construction facilitates the easy changeover from incandescent bulbs to LEDs.

# LED LIGHTING TECHNOLOGY

As a leading innovator in the field of automotive original equipment, HELLA sets standards:

## Extremely low energy consumption

With the combination of efficient light emitting diodes (LEDs) and precision lenses, HELLA lamps achieve the statutory light distribution with 85% less power consumption compared to incandescent bulbs!

## No need to ever replace the light source, no maintenance and extremely long service life thanks to optimal thermal management

To extend the lamp's service life, the components are arranged for optimal temperature. This prevents the LEDs overheating at extremely high temperatures. This thermal management maximises the lifetime, so the lifetime of the LEDs corresponds to that of the vehicle (depending on the operating temperature).

# STATE-OF-THE-ART PRODUCTION ENGINEERING

## Quality by conviction

We work on our processes and technologies every day. This is effectively ensured by the continuous further development of our manufacturing processes and production methods. Our HELLA standards reflect our fundamentally quality-oriented approach. This expectation is therefore reflected in every product.

## Process reliability

Integrated production guarantees outstanding quality in terms of leak tightness and fault rate. Our standards have been established across the entire production process. Our experience demonstrates: "only those who have their processes under control can guarantee high performance at all times".

# DESIGN OF LAMP



Hybrid combination tail light, brake light and direction indicator;  
with accessories: Chrom ring

Full LED combination tail light, brake light and direction indicator

# NIGHT-TIME DESIGN



Hybrid combination tail light, brake light  
and direction indicator



Full LED combination tail light, brake light  
and direction indicator



Combination fog light and reversing light

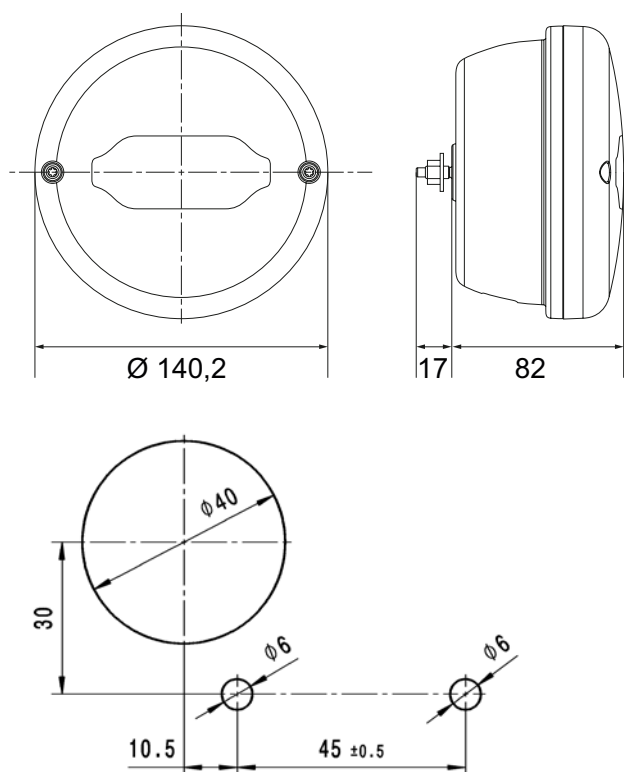
# TECHNICAL DETAILS

Technical data	SBBL* 2SD 013 155-001, -021, -041 (with integrated resistor)	SBBL* 2SD 013 155-011, -031 (without resistor)	SBBL* 2SD 013 155-101, -111, -121	NES/ZR** 2NR 013 155-201, -211, -221 (with integrated resistor)
Type approval	ECE with D approval	ECE with D approval	ECE with D approval GGVS/ADR approval	ECE GGVS/ADR approval
Operating voltage	24 V	24 V	24 V	24 V
Current consumption	Tail light: 3–5 mA Brake light: 420–480 mA Direction indicator (bulb): 0.9–1.15 A	Tail light: 3–5 mA Brake light: 30–55 mA Direction indicator (bulb): 0.9–1.15 A	Tail light: 30–50 mA Brake light: 30–55 mA Direction indicator: 110–180 mA	Rear fog light: 65–120 mA Reversing light: 80–145 mA
EMC approval	057767	057767	057767	057767
EMC class	ECE-R10	ECE-R10	ECE-R10	ECE-R10
Functions	Tail light: 6 LEDs Brake light: 6 LEDs Direction indicator with bulb	Tail light: 6 LEDs Brake light: 6 LEDs Direction indicator with bulb	Tail light: 6 LEDs Brake light: 6 LEDs Direction indicator: 3 LEDs	Rear fog light: 6 LEDs Reversing light: 3 LEDs
Power consumption	Tail light: 0.25 W Brake light: 2.45 W Direction indicator: 21 W	Tail light: 0.25 W Brake light: 2.45 W Direction indicator: 21 W	Tail light: 0.25 W Brake light: 2.45 W Direction indicator: 1.9 W	Rear fog light: 2.45 W Reversing light: 1.9 W
Dimensions	Diameter: 140 mm Depth: 80 mm	Diameter: 140 mm Depth: 80 mm	Diameter: 140 mm Depth: 80 mm	Diameter: 140 mm Depth: 80 mm
Operating temperature	-40°C to +50°C	-40°C to +50°C	-40°C to +50°C	-40°C to +50°C
Protection class	Lamp: IP 5K4K LED module: IP 6K9K	Lamp: IP 5K4K LED module: IP 6K9K	IP 6K9K	IP 6K9K
Mounting	Mounting	Mounting	Mounting	Mounting
Specification	HELLA standard 67101 Class 5.1	HELLA standard 67101 Class 5.1	HELLA standard 67101 Class 5.1	HELLA standard 67101 Class 5.1
Polarity	Polarity reversal protection	Polarity reversal protection	Polarity reversal protection	Polarity reversal protection
Integrated short-circuit protection	Yes	Yes	Yes	Yes

\* Combination tail light, brake light and direction indicator

\*\* Combination fog light and reversing light

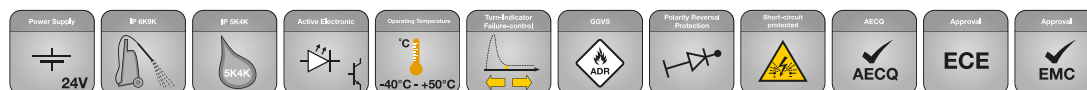
## Dimensional sketch and drilling template



## APPLICATION EXAMPLE



# OVERVIEW OF RANGE



Product picture	Connection	Description	Resistor	Part Number
		Hybrid Tail light, brake light (LED) and direction indicator (bulb)	With integrated resistor for brake light function	<b>2SD 013 155-001</b>
		Hybrid Tail light, brake light (LED) and direction indicator (bulb)	Without resistor	<b>2SD 013 155-011</b>
		Hybrid Tail light, brake light (LED) and direction indicator (bulb)	With integrated resistor for brake light function	<b>2SD 013 155-021</b>
		Hybrid Tail light, brake light (LED) and direction indicator (bulb)	Without resistor	<b>2SD 013 155-031</b>
		Hybrid Tail light, brake light (LED) and direction indicator (bulb)	With integrated resistor for brake light function	<b>2SD 013 155-041</b>
		Full LED Tail light, brake light and direction indicator (LED)	Without resistor	<b>2SD 013 155-101</b>
		Full LED Tail light, brake light and direction indicator (LED)	Without resistor	<b>2SD 013 155-111</b>
		Full LED Tail light, brake light and direction indicator (LED)	With integrated resistor for brake light function	<b>2SD 013 155-121</b>
		Full LED Fog light and reversing light (LED)	-	<b>2NR 013 155-201</b>
		Full LED Fog light and reversing light (LED)	-	<b>2NR 013 155-211</b>
		Full LED Fog light and reversing light (LED)	-	<b>2NR 013 155-221</b>
<b>Spare parts and Accessories</b>				
		Spare part lens	-	<b>9EL 213 522-001</b>
		Chrome ring	-	<b>2XD 997 909-811</b>