



BRIEF INFORMATION

LED rubber arm clearance light with LED integrated side marker light

- **NEW:** As of now all variants are multi-volt
- For trailers, semi-trailers and special vehicles
- Light head protected by flexible rubber trim
- Clear lens made of shatterproof PMMA

PRODUCT FEATURES

High vibration resistance

Due to its new kind of design, this end-outline marker is very vibration-resistant and also shock-resistant. The rubber arm always returns to the "0" position, even following impacts, and ensures that the light also remains stable even at higher speeds.

Additional protection

The rubber trim provides additional protection for the light head against damage.

Low power consumption

Compared to bulb versions, these LED versions feature a lower current consumption and a longer design life.

Contacting

Establishing of contact is possible with all the usual plug connectors. Diverse cable lengths complete the program making this light suitable for a wide variety of applications.

LED LIGHTING TECHNOLOGY

As an innovation leader in the field of automotive original equipment, HELLA is now setting new standards in LED lighting technology.

The benefits of modern LED lighting technology at a glance:

Extremely low energy consumption

With the combination of efficient light-emitting diodes (LEDs) and precision optics, HELLA lights achieve the statutory light distribution with 85 % less power consumption compared to bulbs!

No change of light source, no maintenance and an extremely long operating time thanks to competent thermal management.

To extend the design life of the light, all components are arranged in a way that optimises the temperature conditions. This prevents overheating of the LEDs at extremely high temperatures. This thermal management maximises the design life.

The service life of these LED lamps corresponds to that of the vehicle.

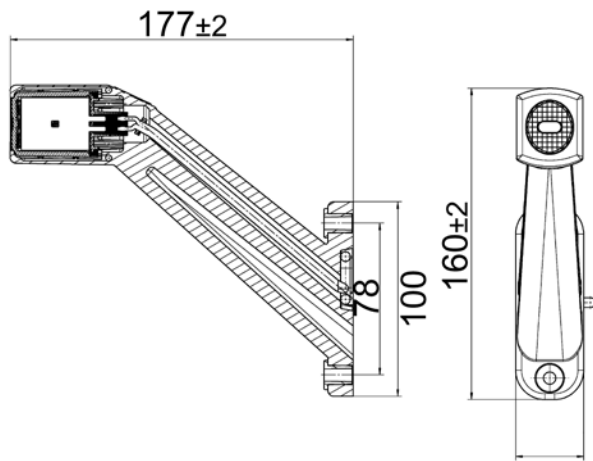


TECHNICAL DETAILS

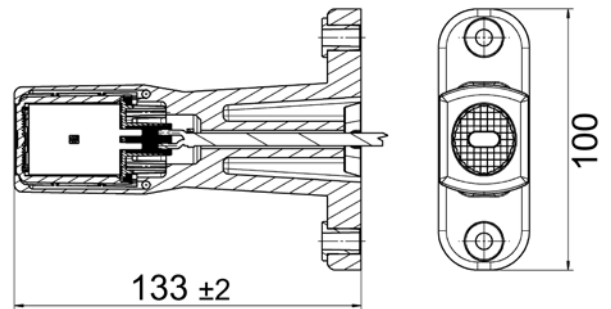
| TECHNICAL SPECIFICATIONS | |
|--------------------------|---|
| Operating voltage | Multivolt 12 / 24 volts |
| Power consumption | 1.8 W |
| Functions | Rubber arm clearance light |
| No. of LEDs | 4 LEDs |
| Contacting | EasyConn 2-pin Quicklink connector, AMP-SUPERSEAL plug, 6.3 mm blade terminal sleeve or open cable ends |
| Operating temperature | - 40 °C to +50 °C |
| Protection class | IP 6K9K |
| Type test | ECE |
| Versions | Vertical, horizontal and short |

Dimensional drawings

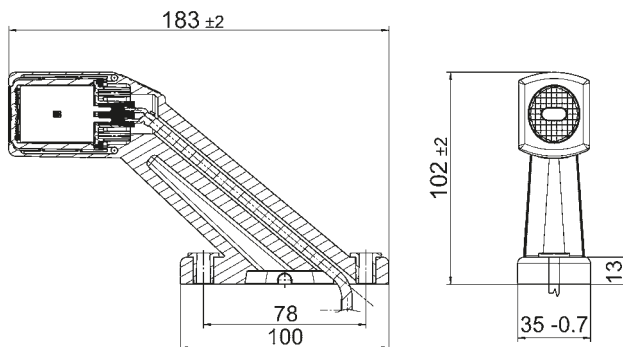
Vertical installation



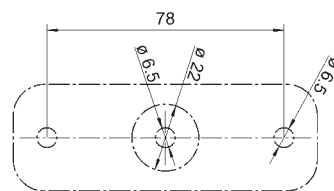
Short version



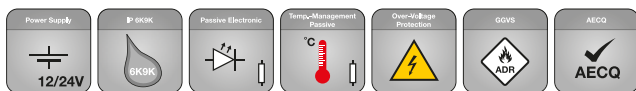
Horizontal installation






Hole pattern



RANGE OVERVIEW



| Picture version | Connection | Mounting type * | Cable length | Part number |
|--|---|-----------------|-------------------|-------------------|
|  vertical | EasyConn 2-pin male connector housing, angled | Left | 500 mm | 2XS 011 744-011/7 |
| | | Right | | 2XS 011 744-021/7 |
| | EasyConn 2-pin female connector housing | Right | 500 mm | 2XS 011 744-101/7 |
| | | Left | | 2XS 011 744-111/7 |
| | Quicklink connector | Left | 500 mm | 2XS 011 744-071/7 |
| | | Right | | 2XS 011 744-081/7 |
| | Quicklink connector | Right | 1,000 mm | 2XS 011 744-181 |
| | | Left | | 2XS 011 744-191 |
| | AMP SUPERSEAL connector | Left | 2,000 mm | 2XS 011 744-051/7 |
| | | Right | | 2XS 011 744-061/7 |
| | AMP SUPERSEAL connector | Right | 800 mm | 2XS 011 744-201/7 |
| | | Left | | 2XS 011 744-211/7 |
| | Blade terminal sleeve 6.3 mm | Left | 3,000 mm | 2XS 011 744-031/7 |
| | | Right | | 2XS 011 744-041/7 |
| Blade terminal sleeve 6.3 mm | Right | 150 mm | 2XS 011 744-161/7 | |
| | Left | | 2XS 011 744-171/7 | |
|  horizontal | EasyConn 2-pin female connector housing | Left | 500 mm | 2XS 011 769-011/7 |
| | | Right | | 2XS 011 769-021/7 |
| | Quicklink connector | Left | 670 mm | 2XS 011 769-091 |
| | | Right | | 2XS 011 769-101 |
| | EasyConn 2-pin male connector housing, angled | Left | 500 mm | 2XS 011 769-617 |
| | | Right | | 2XS 011 769-627 |
| | Blade terminal sleeve 6.3 mm | Left | 3,000 mm | 2XS 011 769-707 |
| | | Right | | 2XS 011 769-687 |
| | Open cable ends | Left | 300 mm | 2XS 011 769-697 |
| | | Right | | 2XS 011 769-677 |
|  short | EasyConn 2-pin male connector housing, angled | - | 500 mm | 2XS 011 768-011/7 |
| | EasyConn 2-pin female connector housing | - | 500 mm | 2XS 011 768-021/7 |
| | Quicklink connector | - | 500 mm | 2XS 011 768-001/7 |
| | AMP SUPERSEAL connector | - | 2,000 mm | 2XS 011 768-031 |
| | Blade terminal sleeve 6.3 mm | Right | 3,000 mm | 2XS 011 768-061/7 |
| | | Left | | 2XS 011 768-071/7 |
| | DEUTSCH plug 2-pin | - | 485 mm | 2XS 011 768-117 |
| | Open cable ends | Right | 150 mm | 2XS 011 768-647 |
| Left | | 2XS 011 768-657 | | |

* All variants can be mounted on both sides (turned around). The indicated mounting variant is only the most common.