



# PRODUCT NEWS

## HELLA Corner Module 270

- Set of two modules is homologated as “half bar” (ECE R65 HTA1)
- Wide angle coverage of at least 270° by using two modules and 360° by using four modules
- Synchronisation of 2 or 4 modules
- Integrated or surface mounting

### PRODUCT FEATURES

The HELLA Corner Module 270 is a special wide angle warning lamp which is approved as a “half bar” as a set of two modules and offers a new alternative to conventional beacons.

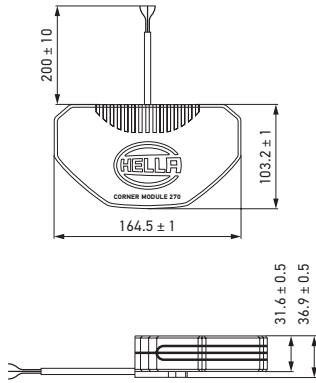
Two modules illuminate an area of at least 270 degrees at a distance of 20m from the vehicle, emitting a flashing amber warning light. The modules can be synchronised for a double flashing pattern.

It is recommended that the modules are positioned at a 45 degree angle to the driving direction of the vehicle for uniform illumination over full 270 degrees. They can be integrated into the vehicle body or surface mounted using a bracket.

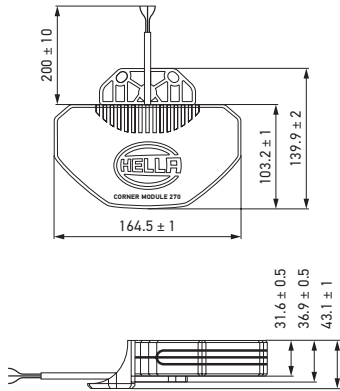
# HELLA Corner Module 270



## Dimensional sketches



## Integration



## Bracket mounting

## Technical data

Rated voltage	Multi-Voltage
Operating voltage	12 / 24 V DC
Current consumption	Max. 2.5 A for one module
Power consumption	Max. 30 W for one module
Lamp function	Flashing
Light source	LED
Material	Lens: polycarbonate Housing: PC-ABS
Weight	318 g
Temperature range	-40°C to +60°C
Protection class	IP 67
Type approval	ECE-R65 HTA1 only for the set of two modules 
EMC protection	CISPR 25 Class 5
Mounting	Integrated or bracket mounting
Connection	Cable length: 200 mm, cable bare ends
Spare part	2XD 455 355-011 (Single module for replacement)

## APPLICATION EXAMPLES

For uniform illumination over 270 degrees, it is recommended that the modules are positioned at an angle of 45 degrees to the driving direction of the vehicle.



### Integration

In order to integrate the elements into the vehicle body, appropriate space must be planned.



### Bracket mounting

The supplied brackets allow for surface-mounting of the product.

## PROGRAM OVERVIEW

Description	Product	Light Output	Voltage	Flash Pattern	Part number
HELLA Corner Module 270, flashing, set of two modules		Amber	12 / 24 V DC	Flashing	2XD 455 355-001