



BRAKE SYSTEMS

BRAKE PADS FOR THE  
ALFA ROMEO STELVIO  
AND FOR ADDITIONAL  
MODELS

**NEW**  
**TO MARKET**

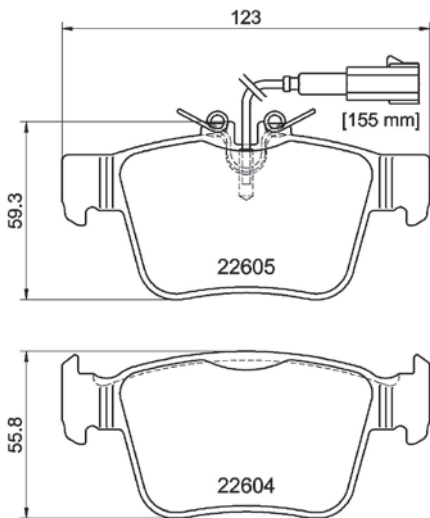


Hella Pagid Brake Systems is one of the leading providers of brake systems in the independent aftermarket, supplying an extensive range of products. We now also offer our outstanding technology, meeting the toughest demands, for the Alfa Romeo Stelvio. Here, you'll find a brief overview of the relevant article numbers and models.

Long article number	Short article number	Product	Vehicle NEW / New-to-Market	Years of Production
8DB 355 025-881	T4177	Brake Pads RA	STELVIO (949_); GIULIA (952_); MASERATI GHIBLI III (M157); MASERATI LEVANTE SUV (M161); MASERATI QUATTROPORTE VI	03/13 -

**RELIANCE. TRUST. PERFORMANCE.**

# BRAKE PADS RA



An exceptionally wide range of more than 14,000 products in four areas – brake hydraulics, wearing parts, fluids & chemicals and accessories – sets HELLA PAGID apart.

All our products are notable for their high level of safety, comfort and durability. Almost 100 % of existing European vehicles are covered by HELLA PAGID brake pads and brake discs – a clear indication of our aspiration to achieve perfection and of the quality of our products.

And because safety is paramount in braking systems, we work hard to continually update our range of products, anticipating technological developments well in advance.

## OE-References:

673004626; 68318394AA; 77367718

BRAND	MODEL	YEARS OF PRODUCTION
<b>ALFA ROMEO</b>	<b>STELVIO (949_)</b>	<b>12/16 –</b>
	2.0 Q4	12/16 –
	2.2 D	12/16 –
	2.2 D Q4	12/16 –
	2.2 JTDM Q4	08/18 –
	<b>GIULIA (952_)</b>	<b>10/15 –</b>
	2.0 Super	08/16 –
	2.0 Q4	08/16 –
	2.0 Veloce	08/16 –
	2.2 D	10/15 –
	2.2 D Q4	11/16 –

BRAND	MODEL	YEARS OF PRODUCTION
<b>MASERATI</b>	<b>GHIBLI III (M157)</b>	<b>08/13 –</b>
	3.0	08/13 –
	<b>LEVANTE SUV (M161)</b>	<b>06/16 –</b>
	3.0 Q4	06/16 –
	3.0 S Q4	06/16 –
	3.8 GTS Q4	08/19 –
	3.8 Trofeo Q4	10/19 –
	3.0 D Q4	06/16 –
	<b>QUATTROPORTE VI</b>	<b>03/13 –</b>
	3.0	03/13 –