



BRAKE SYSTEMS

HIGH-CARBON  
BRAKE DISC FOR THE  
VOLVO XC90 II

**NEW**  
**TO MARKET**

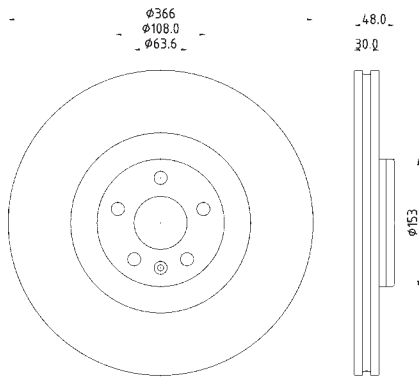


Hella Pagid Brake Systems is one of the leading providers of brake systems in the independent aftermarket, supplying an extensive range of products. We now also offer our outstanding technology, meeting the toughest demands, for the VOLVO XC90 II. Here, you'll find a brief overview of the relevant article numbers and models.

Long article number	Short article number	Product	Vehicle NEW / New-to-Market	Years of Production
8DD 355 132-411	56089PRO_HC	Brake Disc FA	XC90 II (256); XC60 II (246))	09/14 –

**RELIANCE. TRUST. PERFORMANCE.**

# BRAKE DISC FA



An exceptionally wide range of more than 14,000 products in four areas – brake hydraulics, wearing parts, fluids & chemicals and accessories – sets HELLA PAGID apart.

All our products are notable for their high level of safety, comfort and durability. Almost 100 % of existing European vehicles are covered by HELLA PAGID brake pads and brake discs – a clear indication of our aspiration to achieve perfection and of the quality of our products.

And because safety is paramount in braking systems, we work hard to continually update our range of products, anticipating technological developments well in advance.

**OE-Reference:**  
**31400569**

BRAND	MODEL	YEARS OF PRODUCTION
VOLVO	XC90 II (256)	09/14 –
	2.0 B5 Mild-Hybrid AWD	01/20 –
	2.0 D5 Polestar AWD	10/18 –
	2.0 T5 AWD	02/16 –
	2.0 T6 AWD	10/17 –
	2.0 T8 Hybrid AWD	04/18 –
	2.0 T8 Hybrid Polestar AWD	01/19 –
	B5 Mild-Hybrid AWD	04/19 –
	B6 Mild-Hybrid AWD	03/20 –
	D4	06/15 – 12/18
	D4 AWD	10/15 – 12/18
	D5 AWD	09/14 – 12/19
	D5 DRiVe Polestar AWD	03/16 –
	T5 AWD	06/15 – 12/18
	T5 Drive-E Polestar AWD	10/17 –
	T5 Polestar AWD	07/19 –
	T6 AWD	09/14 – 12/18
	T6 Polestar AWD	01/17 –
	T8 Hybrid AWD	06/15 – 12/18
	T8 Plug-in Hybrid Polestar AWD	06/15 –
	T8 Twin Engine AWD	06/19 –

BRAND	MODEL	YEARS OF PRODUCTION
VOLVO	XC 60 II (246)	03/17 –
	2.0 B4 Mild-Hybrid	09/19 –
	2.0 B4 Mild-Hybrid AWD	04/19 –
	2.0 B5 Mild-Hybrid	01/20 –
	2.0 B5 Mild-Hybrid AWD	01/20 –
	2.0 B6 Mild-Hybrid AWD	03/20 –
	2.0 D3	03/17 –
	2.0 D4	03/17 –
	2.0 D4 AWD	03/17 –
	2.0 D4 Polestar	01/19 –
	2.0 D4 Polestar AWD	01/19 –
	2.0 D5 AWD	03/17 –
	2.0 D5 Polestar AWD	10/18 –
	2.0 T4	09/18 –
	2.0 T5	03/17 –
	2.0 T5 AWD	03/17 –
	2.0 T6 AWD	03/17 –
	2.0 T6 Polestar AWD	03/17 –
	2.0 T8 Hybrid AWD	03/17 –
	2.0 T8 Hybrid Polestar AWD	01/19 –