



BRAKE SYSTEMS

**BRAKE DISC FOR THE
TESLA MODEL S**

NEW
TO MARKET

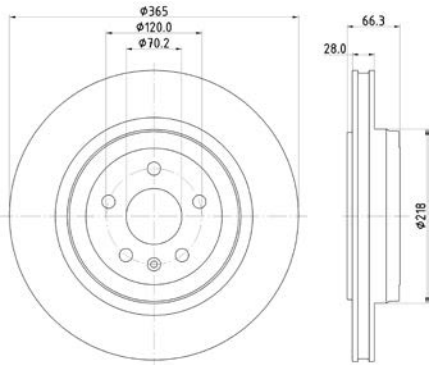


Hella Pagid Brake Systems is one of the leading providers of brake systems in the independent aftermarket, supplying an extensive range of products. We now also offer our outstanding technology, meeting the toughest demands, for the Tesla Model S. Here, you'll find a brief overview of the relevant article numbers and models.

Long article number	Short article number	Product	Vehicle NEW / New-to-Market	Years of Production
8DD 355 132-901	56138PRO	Brake Disc RA	Model S (5YJS); Model X (5YJX)	09/12 –

RELIANCE. TRUST. PERFORMANCE.

BRAKE DISC RA



An exceptionally wide range of more than 14,000 products in four areas – brake hydraulics, wearing parts, fluids & chemicals and accessories – sets HELLA PAGID apart.

All our products are notable for their high level of safety, comfort and durability. Almost 100 % of existing European vehicles are covered by HELLA PAGID brake pads and brake discs – a clear indication of our aspiration to achieve perfection and of the quality of our products.

And because safety is paramount in braking systems, we work hard to continually update our range of products, anticipating technological developments well in advance.

OE-Numbers:
600643100D

BRAND	MODEL	YEARS OF PRODUCTION
TESLA	MODEL S (5YJS)	09/12 -
	60	11/13 -
	60D AWD	06/16 -
	70	09/15 -
	70D AWD	04/15 -
	75	11/16 -
	75D AWD	06/16 -
	85	09/12 - 02/16
	85D AWD	10/14 - 02/16
	90D AWD	09/15 -
	100D AWD	06/17 -
	P85	11/13 - 12/14
	P85D AWD	10/14 - 02/16
	P90D AWD	09/15 -
	P100D AWD	10/16 -
TESLA	MODEL X (5YJX)	10/16 -
	P100D AWD	10/16 -