



PAGID

BRAKE SYSTEMS

**BRAKE PADS FOR THE
BMW i3**

NEW
TO MARKET

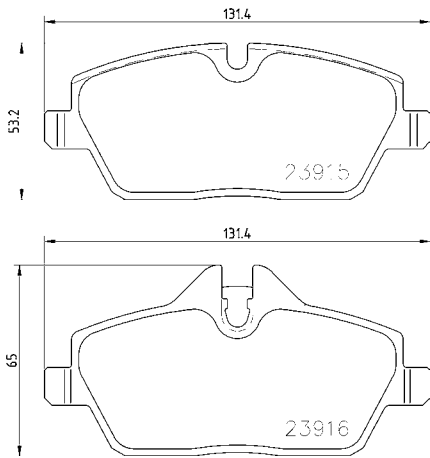


Hella Pagid Brake Systems is one of the leading providers of brake systems in the independent aftermarket, supplying an extensive range of products. We now also offer our outstanding technology, meeting the toughest demands, for the BMW i3. Here, you'll find a brief overview of the relevant article numbers and models.

Long article number	Short article number	Product	Vehicle NEW / New-to-Market	Years of Production
8DB 355 021-881	T2398	Brake Pads FA	i3 (I01)	08/13 –

RELIANCE. TRUST. PERFORMANCE.

BRAKE PADS FA



An exceptionally wide range of more than 14,000 products in four areas – brake hydraulics, wearing parts, fluids & chemicals and accessories – sets HELLA PAGID apart.

All our products are notable for their high level of safety, comfort and durability. Almost 100% of existing European vehicles are covered by HELLA PAGID brake pads and brake discs – a clear indication of our aspiration to achieve perfection and of the quality of our products.

And because safety is paramount in braking systems, we work hard to continually update our range of products, anticipating technological developments well in advance.

OE-Numbers:

34106884267, 34116862309

BRAND	MODEL	YEARS OF PRODUCTION
BMW	i3 (I01)	08/13 –
	i3 Electric	08/13 –
	i3 Range Extender	08/13 –
	i3 s Electric	11/17 –
	i3 s Range Extender	11/17 –