



PAGID

BRAKE SYSTEMS

**BRAKE PADS FOR THE
VOLVO S90 II**

NEW
TO MARKET

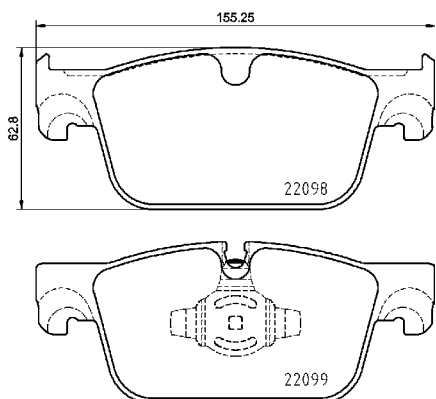


Hella Pagid Brake Systems is one of the leading providers of brake systems in the independent aftermarket, supplying an extensive range of products. We now also offer our outstanding technology, meeting the toughest demands, for the Volvo S90 II. Here, you'll find a brief overview of the relevant article numbers and models.

Long article number	Short article number	Product	Vehicle NEW / New-to-Market	Years of Production
8DB 355 025-531	T4173	Brake Pads FA	S90 II (234); V60 II (225); V90 II Estate (235, 236); XC60 II (246)	03/16 –

RELIANCE. TRUST. PERFORMANCE.

BRAKE PADS FA



An exceptionally wide range of more than 14,000 products in four areas – brake hydraulics, wearing parts, fluids & chemicals and accessories – sets HELLA PAGID apart.

All our products are notable for their high level of safety, comfort and durability. Almost 100% of existing European vehicles are covered by HELLA PAGID brake pads and brake discs – a clear indication of our aspiration to achieve perfection and of the quality of our products.

And because safety is paramount in braking systems, we work hard to continually update our range of products, anticipating technological developments well in advance.

OE-Numbers:

31423651, 31423652, 31658359

BRAND	MODEL	YEARS OF PRODUCTION
VOLVO	S 90 II (234)	03/16 –
	2.0 T4	10/17 –
	2.0 T8 Hybrid AWD	04/18 –
	2.0 T8 Hybrid Polestar AWD	01/19 –
	2.0 T6 AWD	03/16 –
	2.0 Hybrid AWD	10/17 –
	2.0 T5	03/16 –
	2.0 D3	03/16 –
	2.0 D4	03/16 –
	2.0 D4 AWD	03/16 –
	2.0 D5 AWD	03/16 –
	V60 II (225)	02/18 –
	2.0 T6 AWD	02/18 –
	D3	02/18 –
	D3 AWD	09/18 –
	D4 AWD	09/18 –
	D4 Polestar	02/18 –
	V90 II Estate (235, 236)	03/16 –
	2.0 T4	10/17 –
	2.0 T5	03/16 –
	2.0 T5 AWD	03/16 –
	2.0 T8 Hybrid AWD	04/18 –
	2.0 T6 AWD	03/16 –
	2.0 Polestar AWD	10/16 –
	2.0 D3	03/16 –
	2.0 D3 AWD	03/16 –
	2.0 D4	03/16 –
	2.0 D4 AWD	03/16 –
	2.0 D5 AWD	10/16 –
	2.0 Hybrid AWD	03/16 –

BRAND	MODEL	YEARS OF PRODUCTION
	XC60 II (246)	03/17 –
	2.0 T4	09/18 –
	2.0 T5	10/17 –
	2.0 T5 AWD	10/17 –
	2.0 T8 Hybrid AWD	03/17 –
	2.0 T8 Hybrid Polestar AWD	01/19 –
	2.0 T6 AWD	10/17 –
	2.0 D3	03/17 –
	2.0 D4	03/17 –
	2.0 D4 AWD	03/17 –
	2.0 D4 Polestar AWD	01/19 –
	2.0 D5 AWD	03/17 –